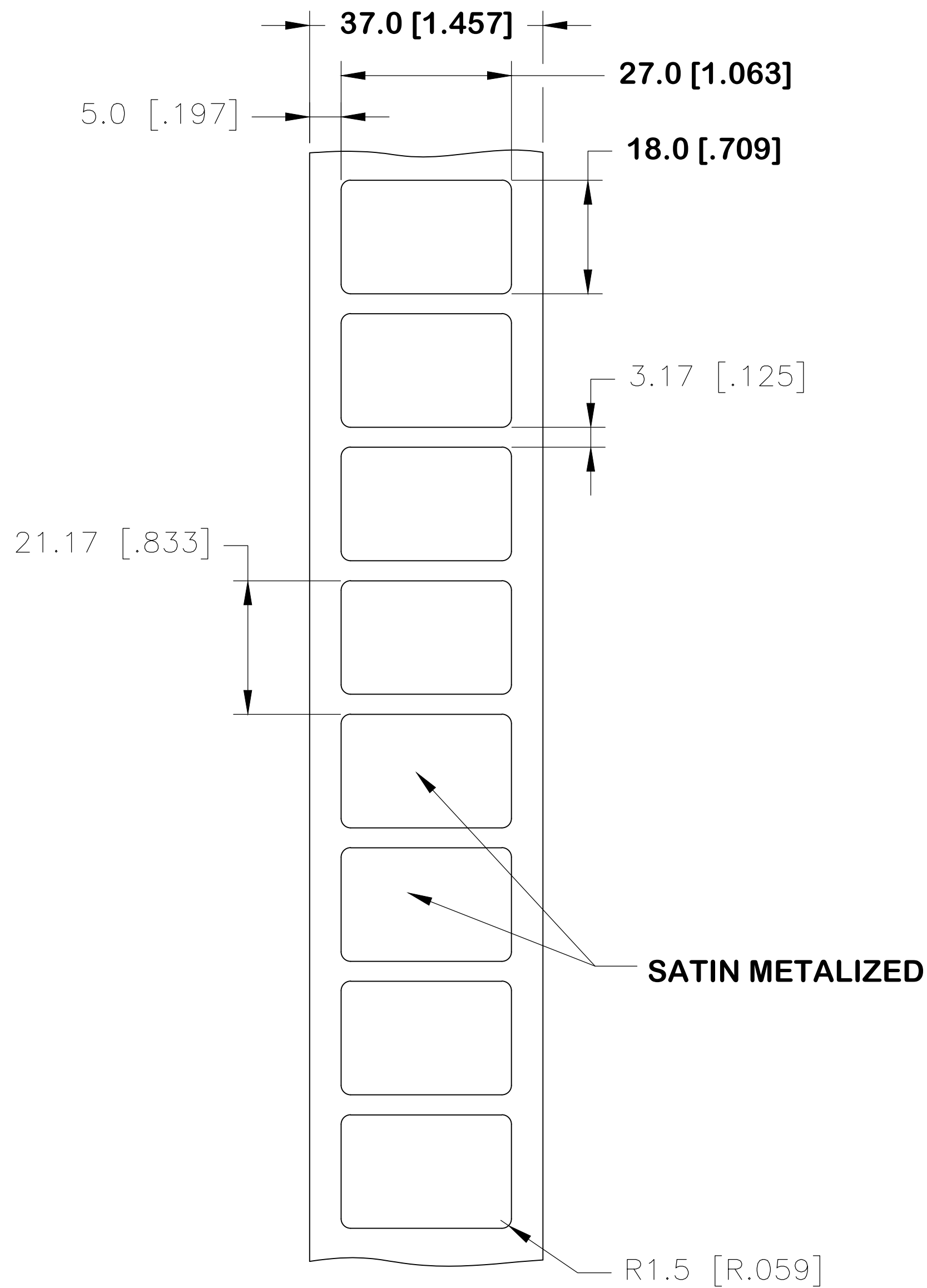
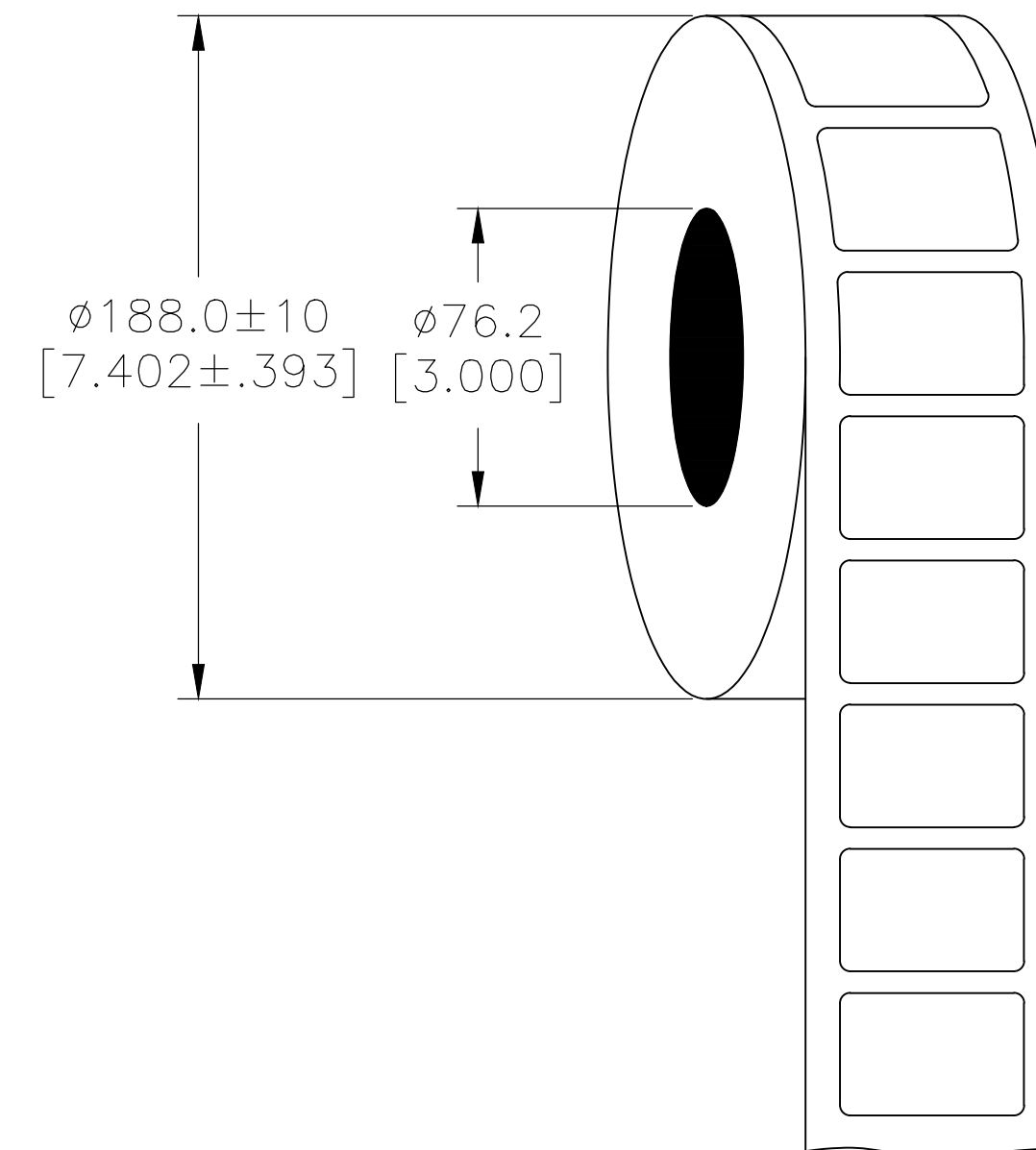


REVISIONS					
P	LTR	DESCRIPTION	DATE	DWN	APVD
	A	NEW DRAWING	21SEP2017	GK	DB
	A1	UL TABLE UPDATED	06JUN2018	GK	DB

LABEL AND LINER DESIGN



PRESENTATION



OUTSIDE WOUND LABEL ACROSS: 1 PER ROLL QTY: 1250

All dimensions in mm [Inch]

TE PN: 2322538-1

UL-MARKING AND LABELLING SYSTEMS	
PGJ12 - Printing Materials - Component (UL 969)	
PGJ18 - Printing Materials Certified for Canada - Component (CSA C22.2 No. 0.15)	
File: MH17292	Product design: PL-8A Ribbon: TTB-XXXSC/YYYYAQ529

TOLERANCES mm [INCH]	
LABEL HEIGHT:	± 0.3 [.012]
LABEL WIDTH:	± 0.3 [.012]
WEB WIDTH:	± 0.5 [.020]
VERTICAL REPEAT:	± 0.5 [.020]*
HORIZONTAL REPEAT:	± 0.5 [.020]*
LABEL POSITIONING:	± 0.5 [.020]*
LEFT MARGIN:	± 0.5 [.020]
QUANTITY:	-0 % +2 %
*NON ACCUMULATING	

THIS DRAWING IS A CONTROLLED DOCUMENT.	
DIMENSIONS: mm [INCHES]	TOLERANCES UNLESS OTHERWISE SPECIFIED:
	0 PLC ±
	1 PLC ± -
	2 PLC ± -
	3 PLC ± -
4 PLC ± -	
ANGLES	± -
MATERIAL: SEE TABLE	FINISH: SATIN

MATERIAL	POLYESTER SATIN METALIZED	
ADHESIVE TYPE	ACRYLIC PE FOAM	
LINEAR	BROWN KRAFT	
DWN: GOPALAKRISHNA HV	TE Connectivity	
CHK: D.BURGAT	TE Connectivity	
APVD: D.BURGAT	TE Connectivity	
PRODUCT SPEC: TTDS-245	PANEL LABEL-SATIN METALIZED	
APPLICATION SPEC: -	27.0 x 18.0mm [1.063 x 0.709inch]	
WEIGHT: 0.229g	SIZE: A2	RESTRICTED TO: -
CUSTOMER DRAWING	CAGE CODE: FB1U7	DRAWING NO: C=PL-027018-1.25-8A
SCALE: NTS	SHEET: 1 of 1	REV: A1