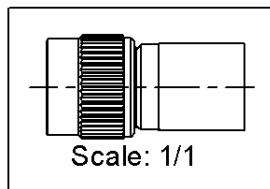
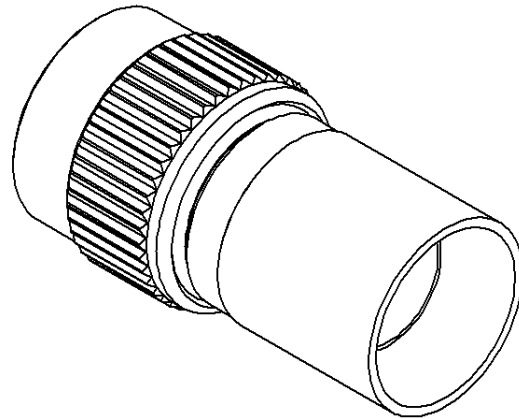
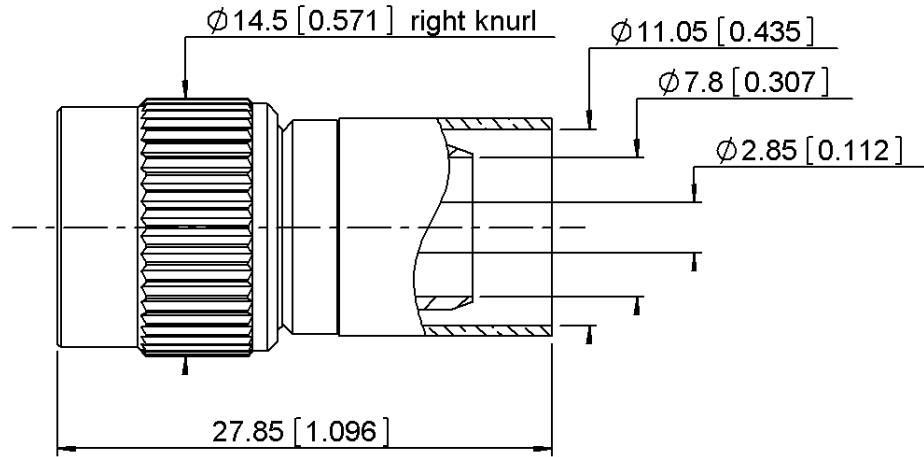
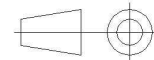


PAGE 1/2	ISSUE 03-18-15A	SERIES TNC	PART NUMBER R143089117
----------	-----------------	------------	------------------------



All dimensions are in mm.



COMPONENTS	MATERIALS	PLATING (µm)
Body	BRASS.	BBR2
Center contact	BRASS.	GOLD 0.5 OVER NICKEL 2
Outer contact		
Insulator	PTFE	
Gasket	SILICONE RUBBER	
Others parts	BRASS/BRONZE	BBR2
-	-	-
-	-	-

PAGE 2/2	ISSUE 03-18-15A	SERIES TNC	PART NUMBER R143089117
----------	------------------------	-------------------	-------------------------------

PACKAGING

Standard	Unit	Other
100	Contact us	Contact us

ELECTRICAL CHARACTERISTICS

Impedance	50	Ω
Frequency	0-11	GHz
VSWR	1.1* + 0.0000	x F(GHz) Maxi
Insertion loss	0.06*	√F(GHz) dB Maxi
RF leakage	NA	- F(GHz) dB Maxi
Voltage rating	500	Veff Maxi
Dielectric withstanding voltage	1500	Veff mini
Insulation resistance	5000	MΩ mini

MECHANICAL CHARACTERISTICS

Center contact retention		
Axial force – Mating End	27	N mini
Axial force – Opposite end	27	N mini
Torque	NA	N.cm mini
Recommended torque		
Mating	NA	N.cm
Panel nut	NA	N.cm
Clamp nut	NA	N.cm
A/F clamp nut	0.0000	mm
Mating life	500	Cycles mini
Weight	11.9190	g

ENVIRONMENTAL

Operating temperature	-65/+165	°C
Hermetic seal	NA	Atm.cm3/s
Panel leakage	NA	

SPECIFICATION

CABLE ASSEMBLY

Stripping	a	b	c	d	e	f
mm	3	7.5	12	0	9	0

Assembly instruction: **Crimp 02**

Recommended cable(s)

AEP-400FR
BELN 9913
LMR 400 FR
LMR 400

Characteristics indicated on this data sheet are those that can be achieved with the highest performance cable. Intrinsic limitations of the cable may diminish the performance of the assembly

Cable retention

- pull off	200	N mini
- torque	NA	N.cm

TOOLING

Part Number	Description	Hexagon
R282231000	CRIMPING TOOL	10.54
R282235116	CRIMPING DIES	10.54
R282293000	CRIMPING TOOL M22520/5-01	
DMC-Y152	CRIMPING DIES M22520/5-04	3.00

OTHER CHARACTERISTICS

*From 0-6 GHz