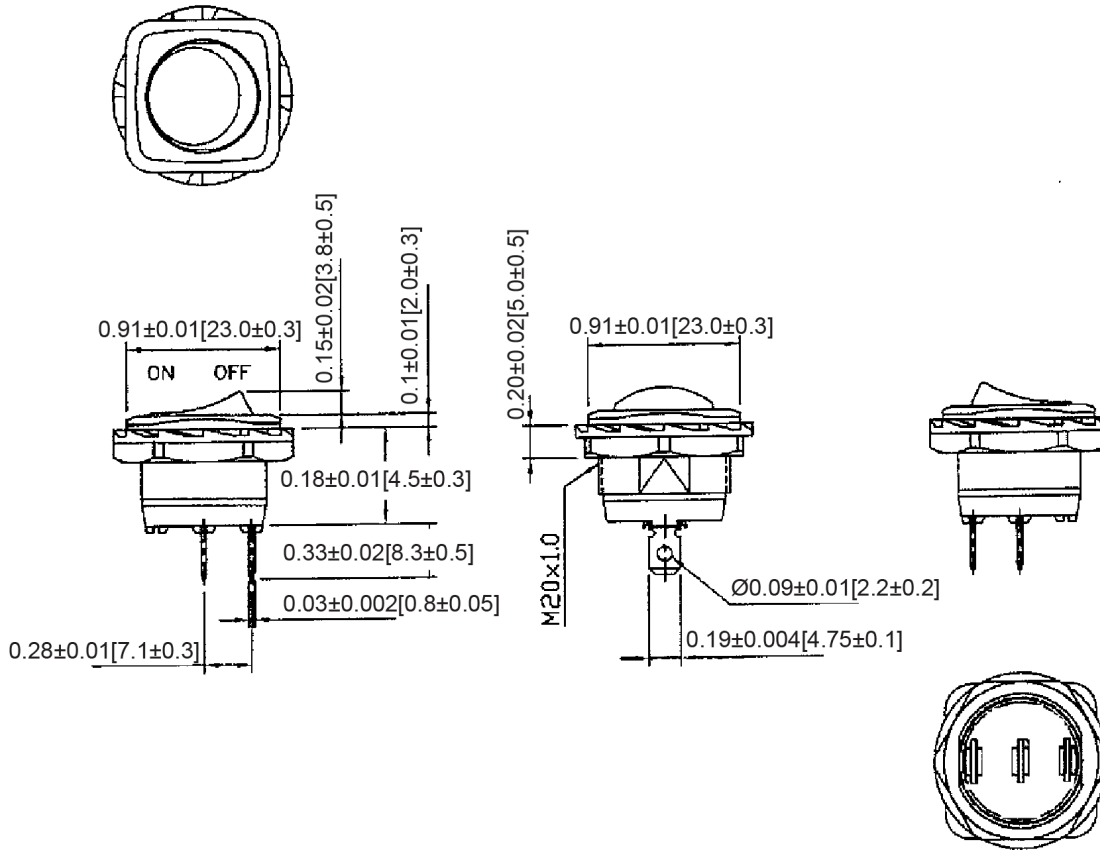
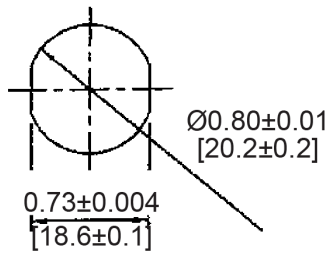


Mechanical Dimensions: Inches [mm]

Tolerances ± 0.012 [0.3] Unless Otherwise Specified



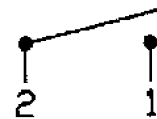
Mounting Hole



Thickness: 0.24 [6.0] Max

Circuit Diagram

2P SPST OFF-ON



Electrical Specifications

Rating 16(4)A 125/250V AC | 10(4)A 250V AC | 16A 125V AC, 10A 250V AC

Contact Resistance 50m ohm Max

Insulation Resistance DC 500V 100M ohm Min

Dielectric Strength AC 1500V 1 minute

Operation Temperature -25°C~85°C

Material Specifications

Frame Black, Nylon 66+33%GF

Actuator Black, Nylon 66

Rev	Date of issue	Revision Notes	Designed	Approved
B	06-08-2021	Initial Drawing	RC	OF