

ClearFog A388 Pro SBC

Dual Core ArmV7, up to 1.6GHz

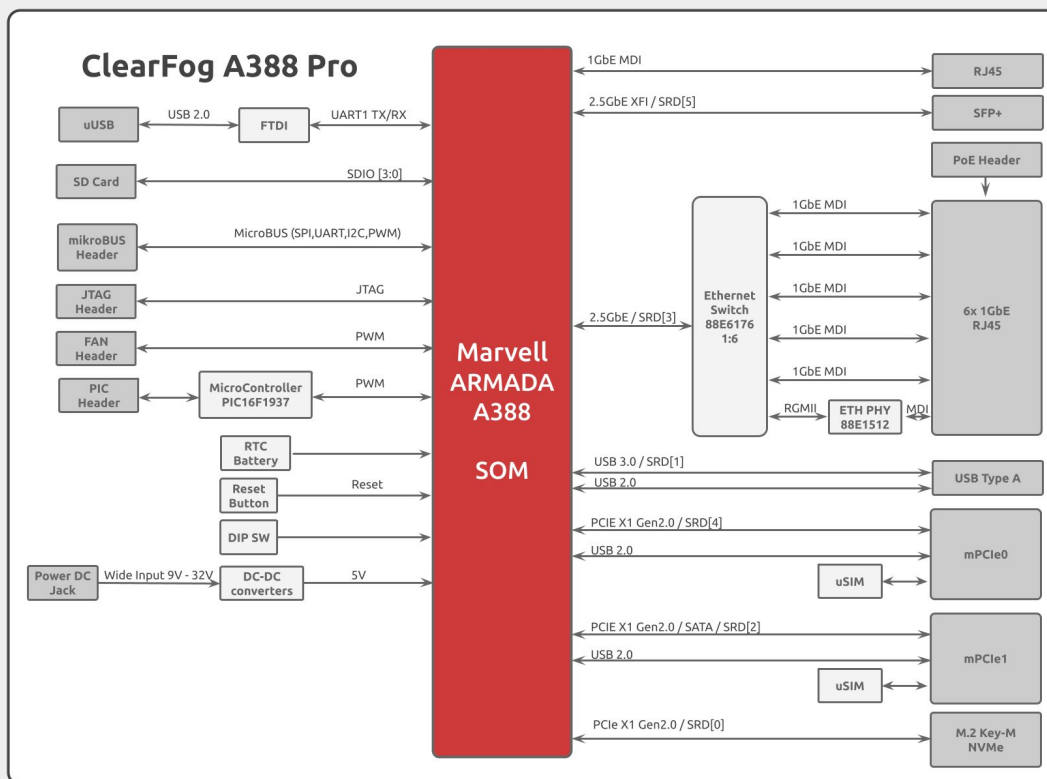


- SoC: Marvell ARMADA 388 (88F6828) Dual core ARM Cortex A9
- Memory: Up to 2GB
- Storage: 8GB eMMC
- Temperature: Commercial (0C to 70C), Industrial (-40C to 85C)
- OS: Linux



ClearFog A388 Pro

	ClearFog A388 Pro
I/O	1 x USB 3.0
Networking	1 x Port dedicated Ethernet 5 x Switched Ethernet RJ45 10/100/1000 1 x SFP (up to 2.5GbE)
Processor	Marvell ARMADA based A388 Dual core Arm Cortex A9 up to 1.6 GHz
Memory & Storage	Up to 2GB DDR3 8GB eMMC MicroSD
Misc.	Indication LEDs User Push Buttons RTC Battery JTAG Header Analog Audio/TDM module support
Development and Debug interfaces	Micro USB
Power	9V-32V Advanced Power control Fan Control
Expansion card I/Os	MikroBUS header M.2 2 x mSATA/mPCIe with SIM holder
Temperature	Commercial: 0°C to 70°C Industrial: -40°C to 85°C
Dimensions	PCBA: 225 x 100 mm Enclosure: 225 x 105 x 35 mm
Enclosure	Extruded aluminum



Ordering Information

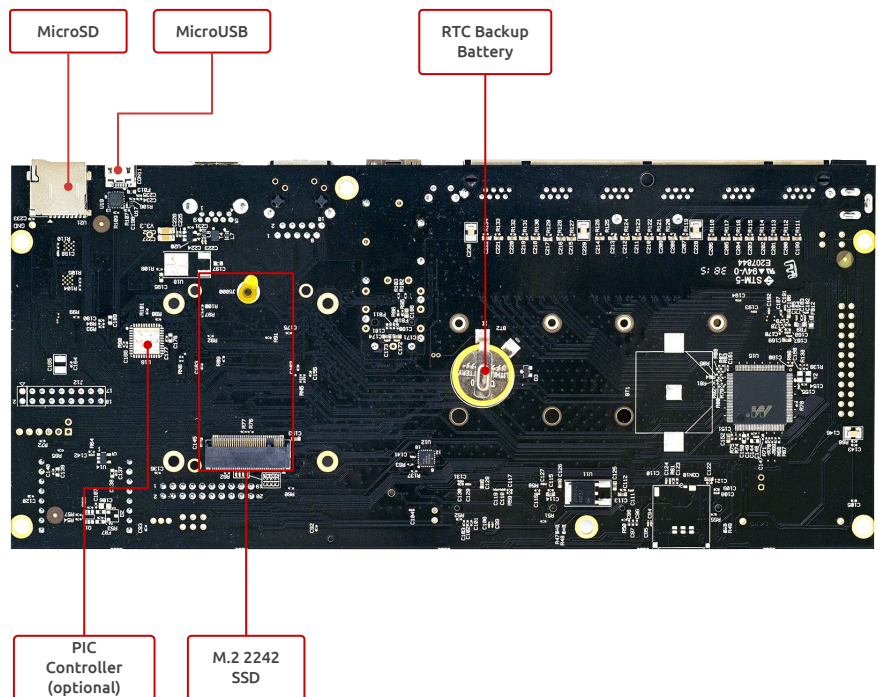
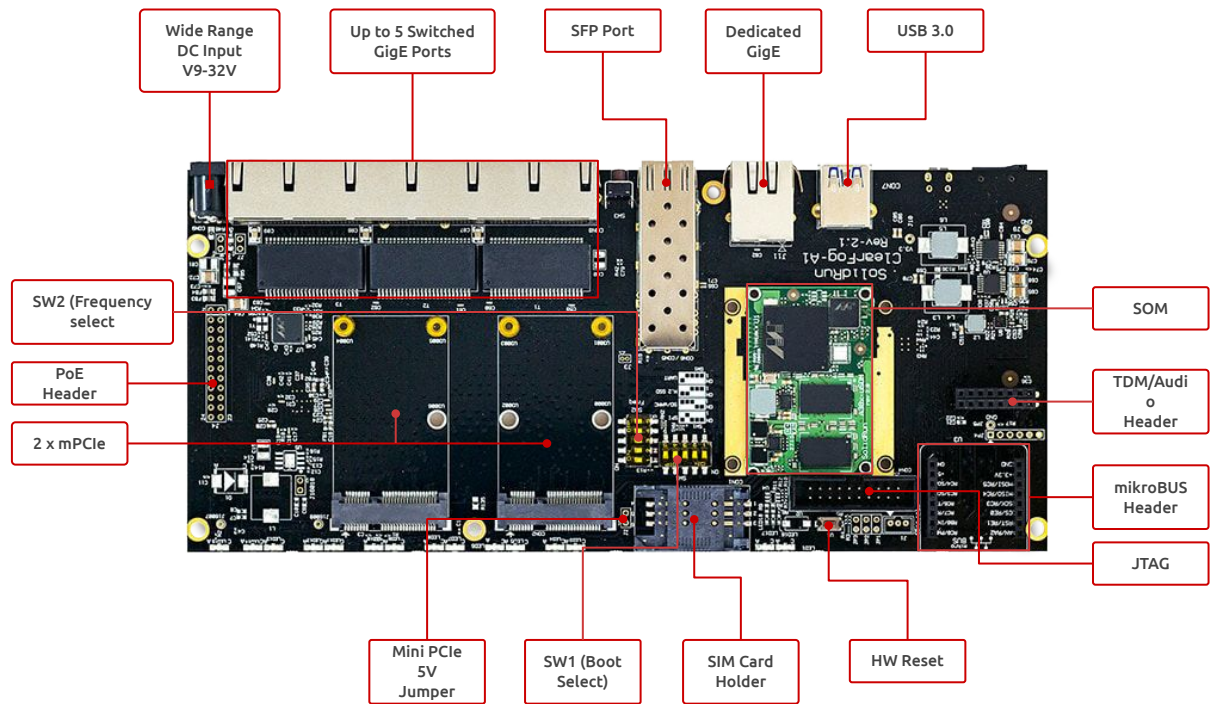
Available on Shop

SKU	Description
SRM6828S00D01GE000P01CH	SOM A388 Dual ClearFog Pro No WiFi/BT 1GB RAM No eMMC Com.Temp R01 Inc. Heatsink
SRM6828S00D02GE008P01CH	SOM A388 Dual ClearFog Pro No WiFi/BT 2GB RAM 8GB eMMC Com.Temp R01 Inc. Heatsink
SRM6828S00D01GE000P01CE	SOM A388 Dual ClearFog Pro No WiFi/BT 1GB RAM No eMMC Com.Temp R01 Inc. Enclosure
SRM6828S00D01GE008P01CE	SOM A388 Dual ClearFog Pro No WiFi/BT 1GB RAM 8GB eMMC Com.Temp R01 Inc. Enclosure
SRM6828S00D02GE008P01CE	SOM A388 Dual ClearFog Pro No WiFi/BT 2GB RAM 8GB eMMC Com.Temp R01 Inc. Enclosure

- To choose your ideal configuration see our [Product Configurator Tool](#)

Accessories:

SKU	Description
PA00012	12V 1.5A US Power Adapter
PA00013	12V 1.5A EU Power Adapter
MSD016B	Micro SD 16GB
ENC0002	ClearFog Pro Enclosure



For more information about the ClearFog Pro Software/Hardware visit our:

Developer Center