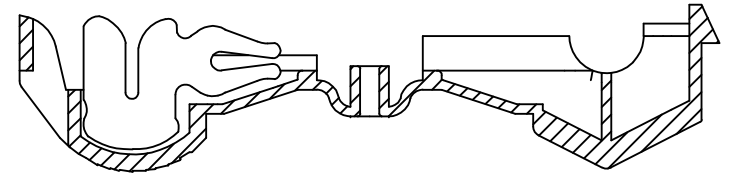
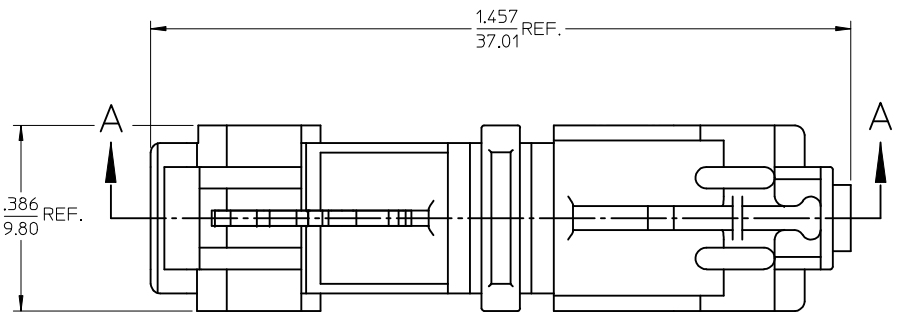
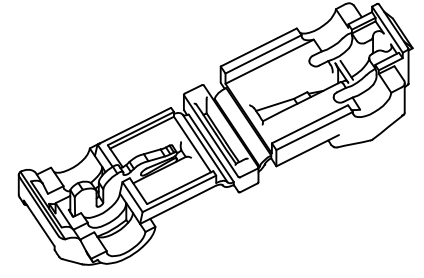
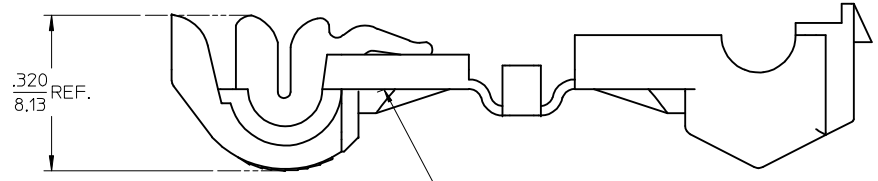


ASSEMBLY MATERIAL NO.	ASSEMBLY ENG. NO.	WIRE RANGE MARKING (XXXXX)	HOUSING COLOR
192160017	WTB-1814	18-14 AWG	BLUE
192160018	WTB-22-18	22-18 AWG	RED
192160019	WTB-12	12 AWG	YELLOW



SECTION A-A



INSERT TO BE FULLY SEATED AGAINST FLOOR

SALES DRAWING

RELEASE TO W/MANAGER EC NO: ETC2004-0058 DRWN:DMYTRICK 2003/09/05 CHKD:RWD 2003/09/05 APPR:RDEROSS.2003/09/08	QUALITY SYMBOLS	GENERAL TOLERANCES (UNLESS SPECIFIED)		SCALE 5:1	DESIGN UNITS INCH	THIRD ANGLE PROJECTION	REVISE ON CAD ONLY	
	▼ = 0 ∇ = 0		mm	INCH	DIMENSION STYLE IN/MM		TITLE WIRE TAP TERMINAL ASSEMBLY	
		4 PLACES	± ---	± ---	DRAWN BY DLM	DATE 03/06/26	MOLEX INCORPORATED (SEE CHART) SD-19216-007	
		3 PLACES	± ---	± ---	CHECKED BY RWD	DATE 03/06/26		
	2 PLACES	± ---	± ---	APPROVED BY RWD	DATE 03/06/26	MATERIAL NO. (SEE CHART)	DOCUMENT NO. SD-19216-007	
	1 PLACE	± ---	± ---	DRAFT WHERE APPLICABLE MUST REMAIN WITHIN DIMENSIONS		SHEET NO. 1 OF 1		
		ANGULAR ±1/2°		THIS DRAWING CONTAINS INFORMATION THAT IS PROPRIETARY TO MOLEX INCORPORATED AND SHOULD NOT BE USED WITHOUT WRITTEN PERMISSION				