

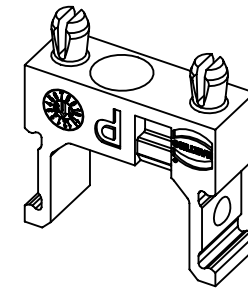
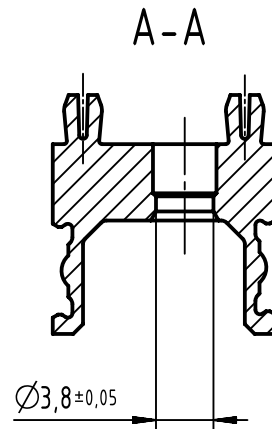
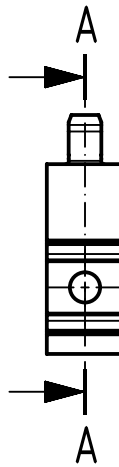
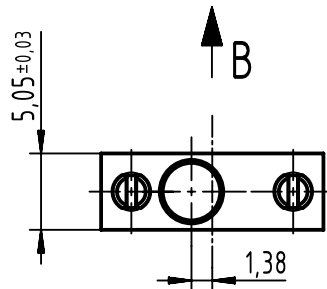
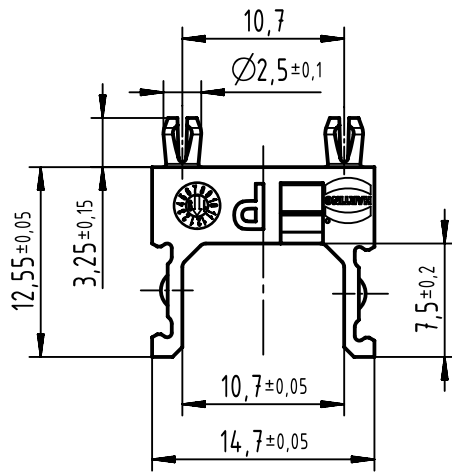
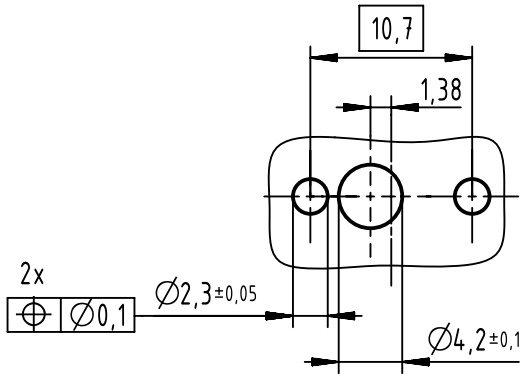
A

B

C

D

B
board drillings



	All rights reserved Department EL PD	All Dimensions in mm Original Size DIN A4		Scale 2:1	Free size tol.	Ref. Sub.
		HARTING Electronics GmbH D-32339 Espelkamp	Created by HASELOH	Inspected by WOLF	Standardisation KOHLER	Date 2020-09-25
Title har-modular P-module male straight with pin						Doc-Key / ECM-Nr. 100827748/UGD/001/D 500000180062
Type TB				Number 02539000005		Rev. D
						Page 1/1