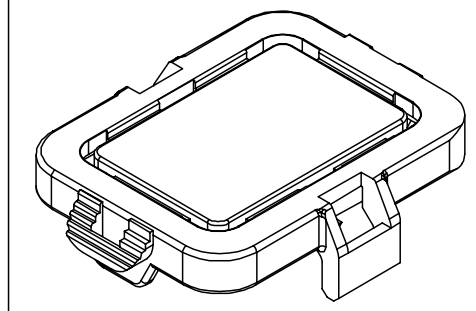
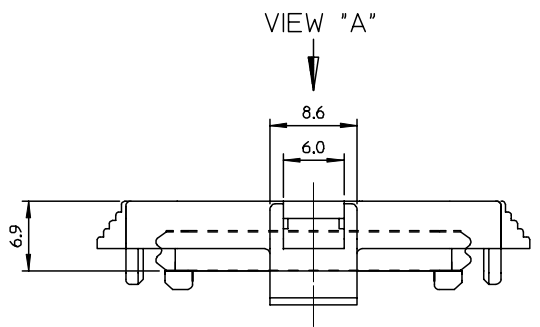
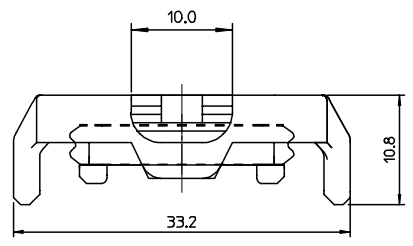
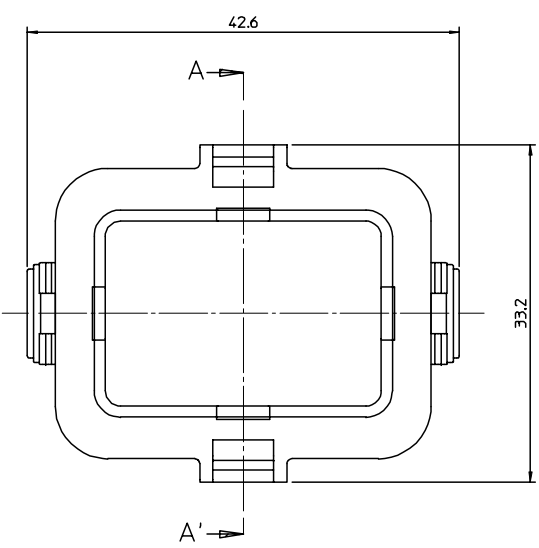


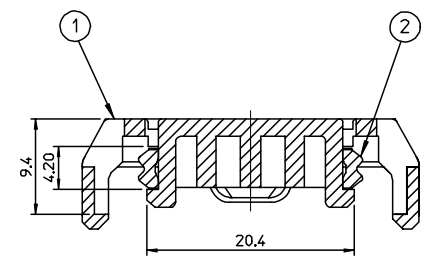
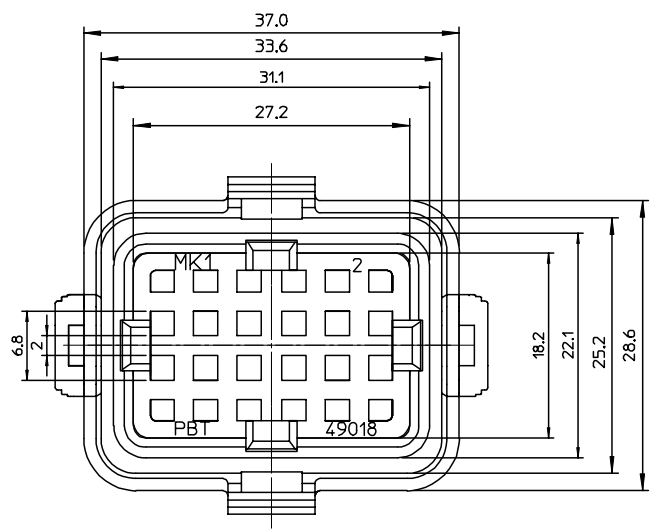
DWG. NO. SD-49018-002  
 SIMILAR ITEM  
 PROJECT NO.  
 DO NOT SCALE DRAWING  
 DIMENSION IN METRIC



ISO VIEW



VIEW "A"



Section A-A'

<NOTE>  
 1.MATERIAL : POLYESTER(PBT), UL94HB  
 COLOR : BLACK  
 2. ASS'Y PART NO.(WITH SEAL) : 49018-0121

2	SEAL	35903-0117	SILICONE, BLUE
1	CMC CAP	49018-0191	POLYESTER, BLACK
NO.	DESCRIPTION	ENG. NO.	MATERIAL

490180121	49018-0121											
MATERIAL NO.	ENG. NO.											
RELEASE ECN NO. KOR2004-0038 DRWNS.MKIM 03/08/30 CHK.B.C.YOON 03/08/30 APPR.C.W.LEE 03/08/30	DESCRIPTION MAJOR CRITICAL	SYMBOLS		GENERAL TOLERANCES: (UNLESS SPECIFIED)		SCALE	DESIGN UNITS	THIRD ANGLE PROJECTION		DIMENSIONS:		
						2:1	<input checked="" type="checkbox"/> mm <input type="checkbox"/> INCH	<input type="checkbox"/> mm <input type="checkbox"/> INCH	<input checked="" type="checkbox"/> mm ONLY	SHT		REV
								DRAWN BY & DATE		TITLE:		REVISE ON CAD ONLY
								S.M.KIM 03/04/16		CMC 112P HEADER 32P CAP ASS'Y(W/P)		
								CHECKED BY & DATE		MOLEX INCORPORATED		
						H.C.RHO 03/04/16						
						APPROVED BY & DATE						
						C.W.LEE 03/04/16						
						CAD FILENAME		MATERIAL NO.		DRAWING NO.		
						SD49018A.MI		SEE TABLE		SD-49018-002		
						DRAFT WHERE APPLICABLE MUST REMAIN WITHIN DIMENSIONS		THIS DRAWING CONTAINS INFORMATION THAT IS PROPRIETARY TO MOLEX INCORPORATED AND SHOULD NOT BE USED WITHOUT WRITTEN PERMISSION.		SHEET NO. 10F1		
										SIZE B		