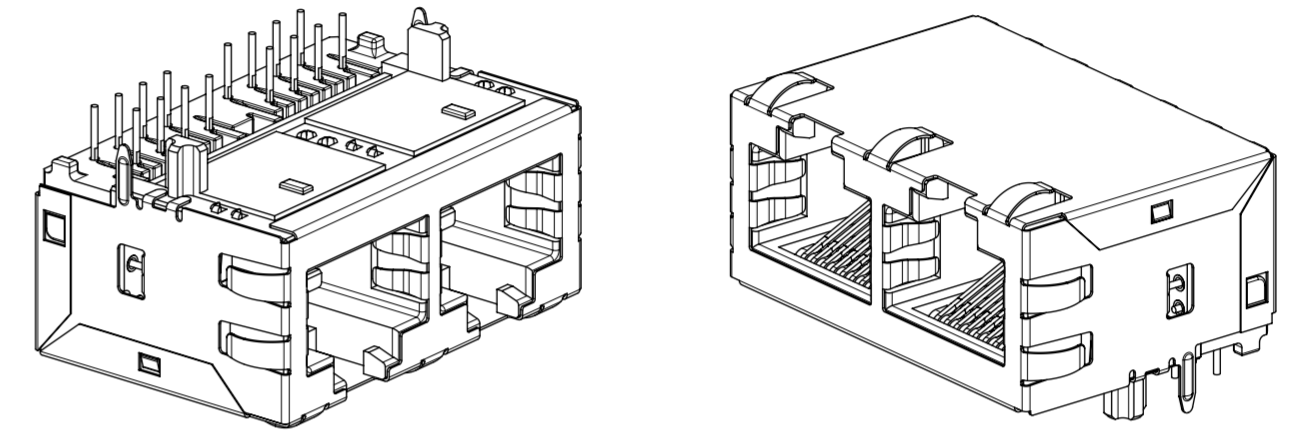
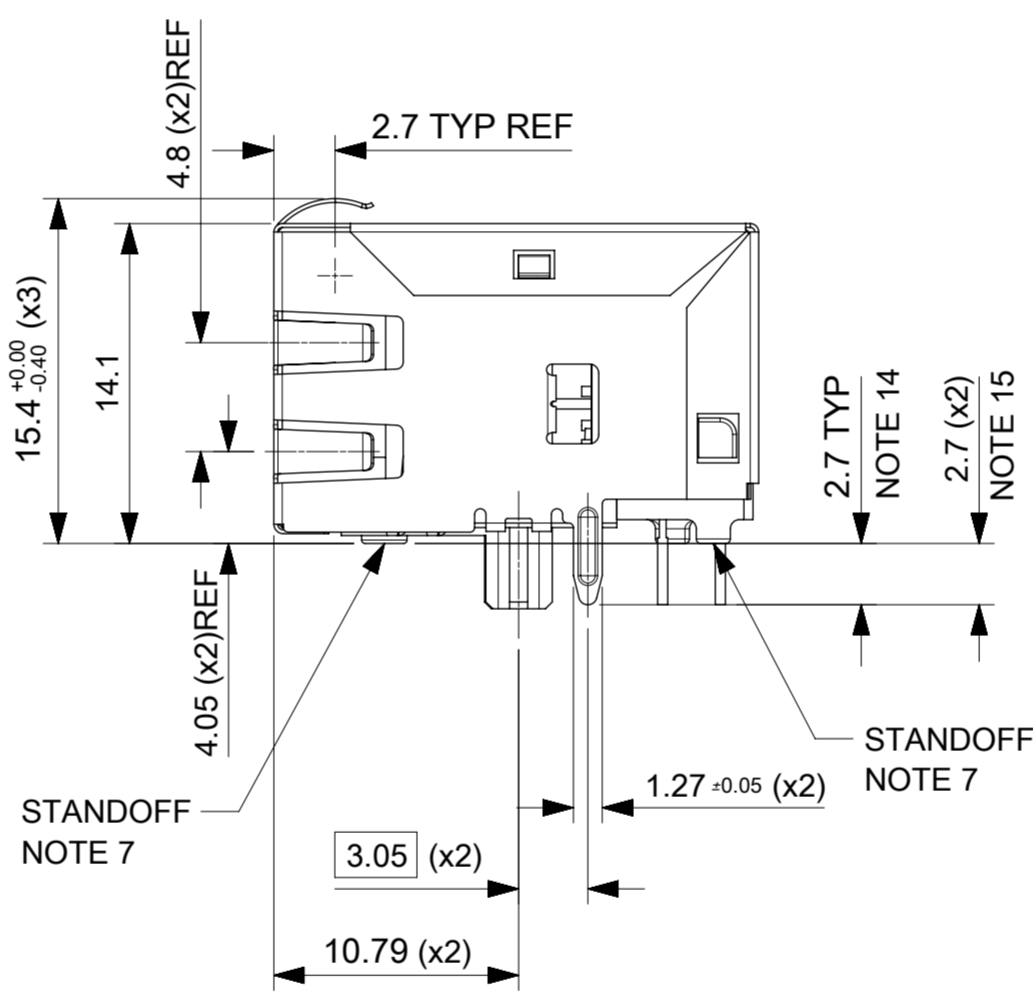
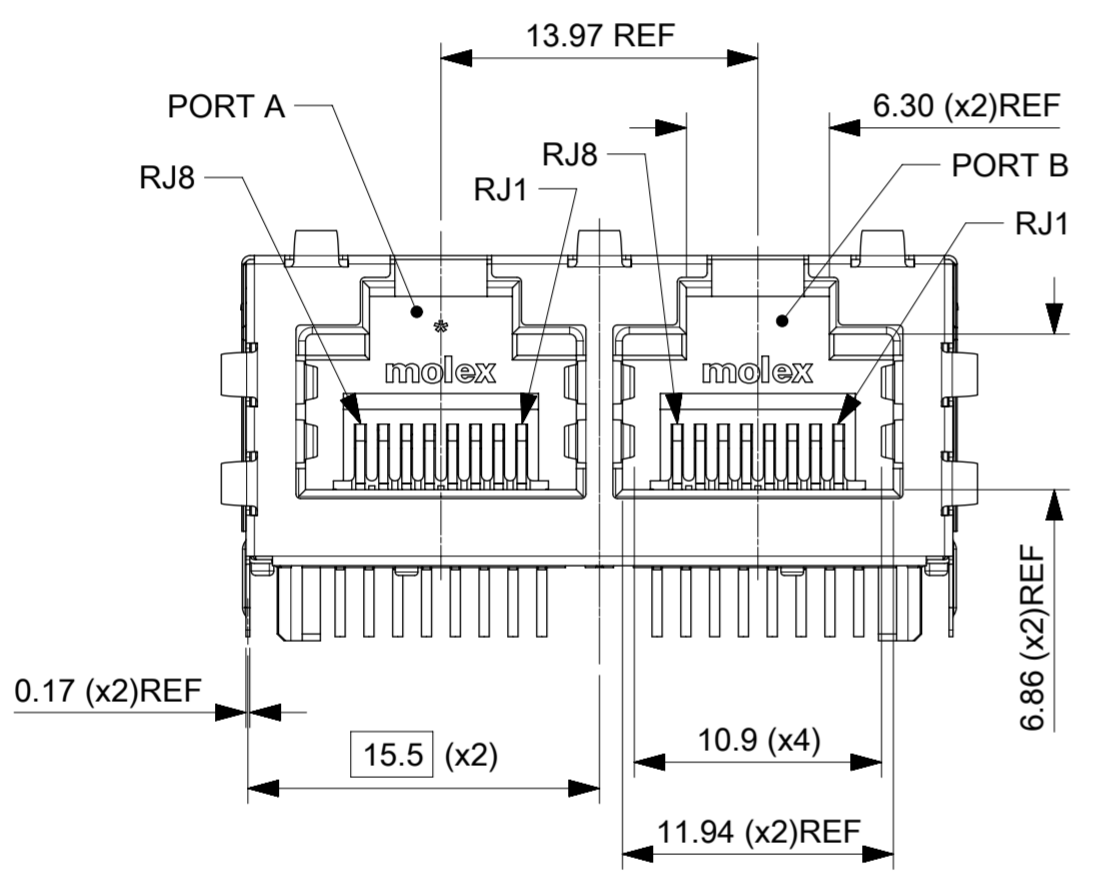


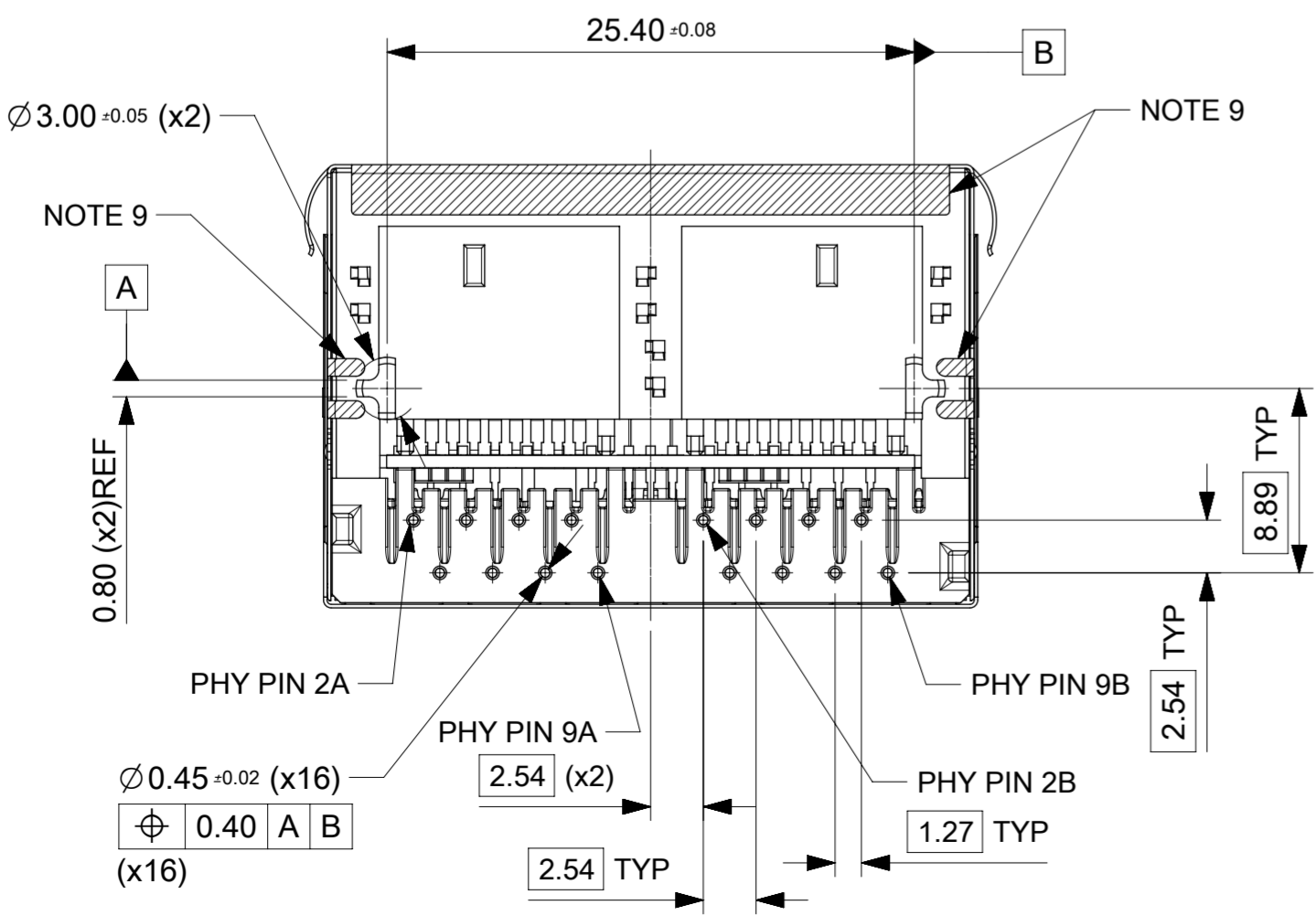
PART NUMBER 938243020



INVERTED PROFILE DUAL PORT MAGNETIC JACK  
FAST ETHERNET  
WITH SHIELD TABS

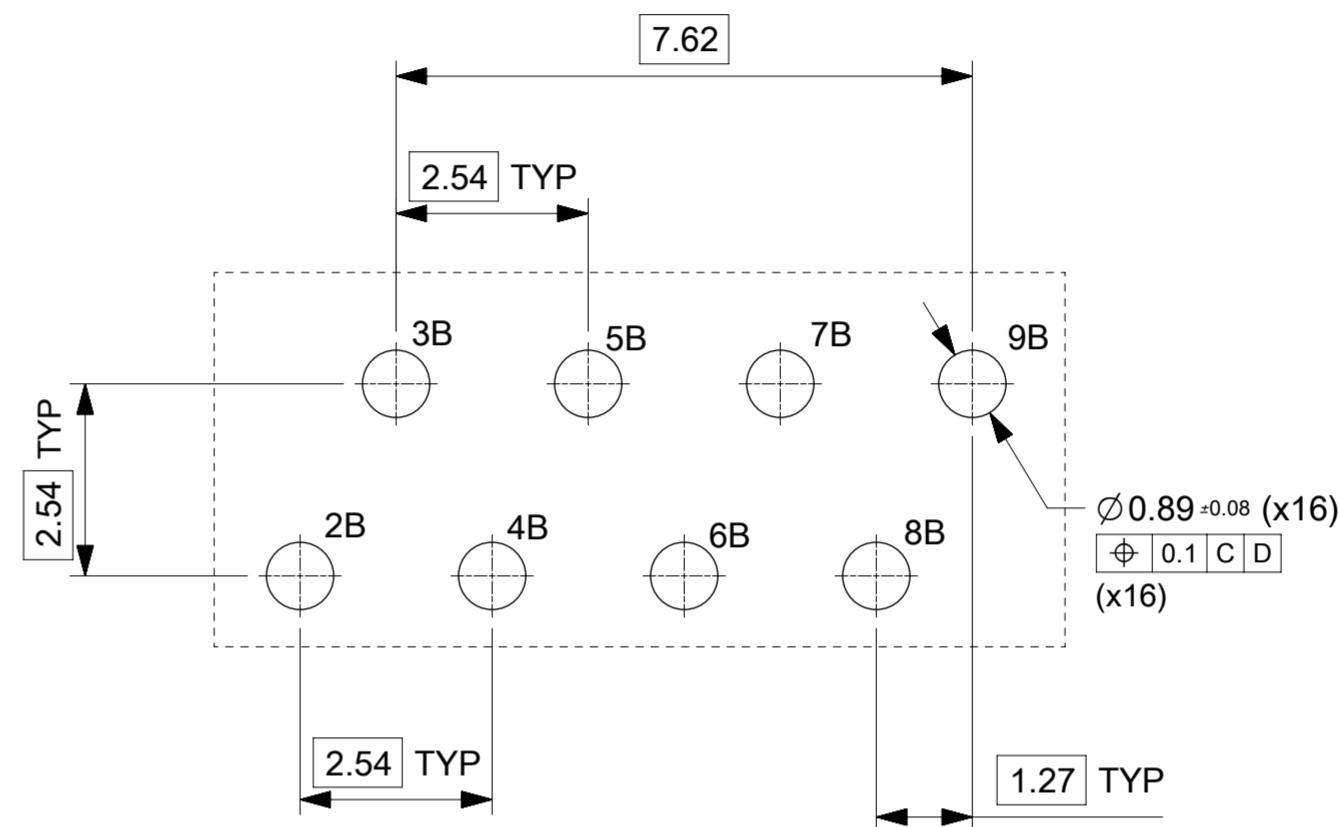
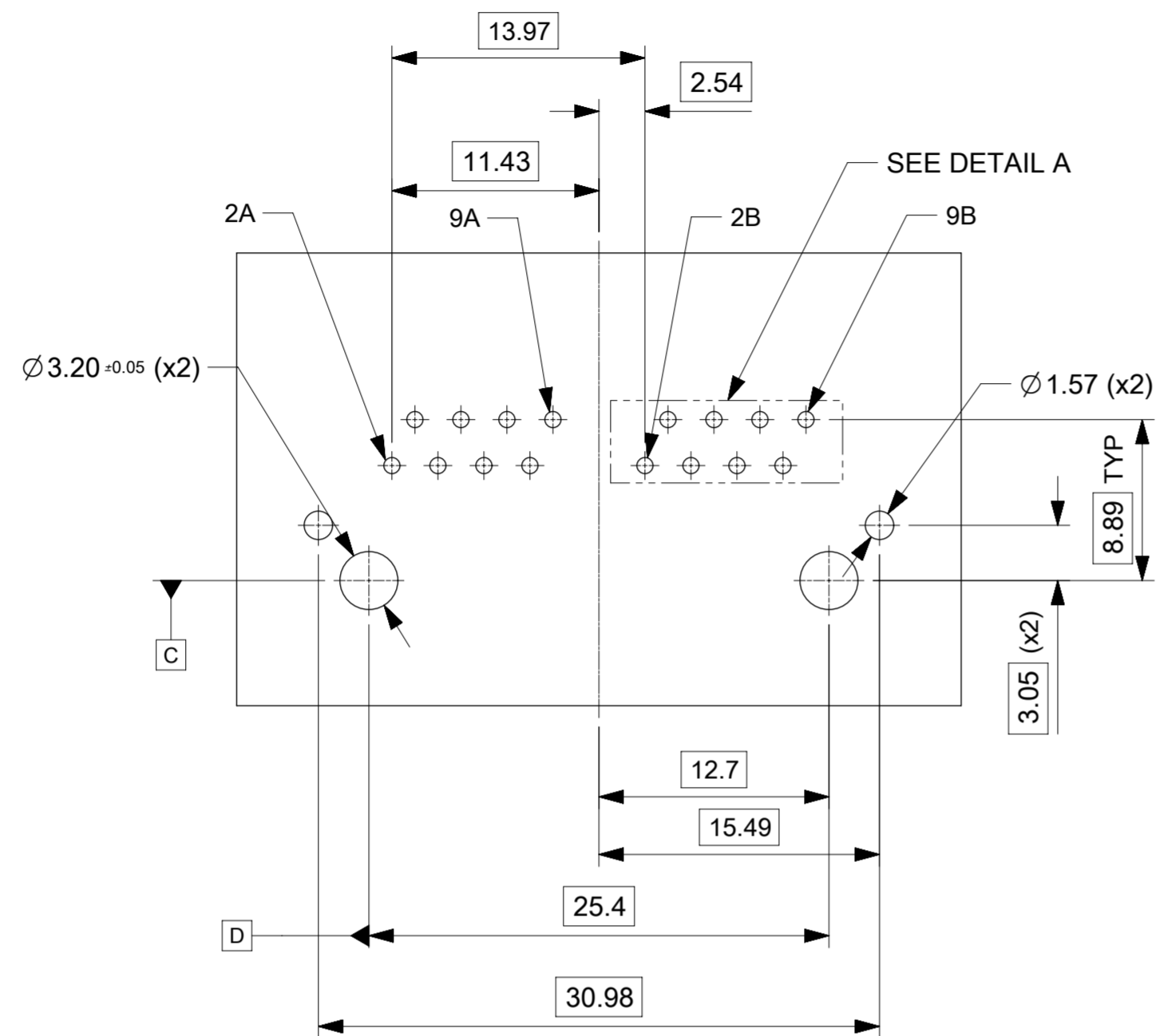


- NOTES:
- SHIELD MATERIAL: 0.17 mm THICK BRASS PRE-PLATED WITH NICKEL  
SOLDER TABS POST DIPPED WITH MIN. 1.27 μm TIN
  - HOUSING MATERIAL: LCP, BLACK, UL 94V-0
  - TERMINALS MATERIAL: PHOSPHOR BRONZE  
RJ45 CONTACTS PLATING: BASE NICKEL PLATED WITH GOLD  
FLASH OVER PALLADIUM NICKEL. REFER TO 934620001 PSP  
PHY SOLDER TAILS: COPPER ALLOY
  - MATING INTERFACE ACCORDING TO IEC 60603-7 & TIA-1096-A
  - PRODUCT SPECIFICATION: 934620001 PSP
  - PACKAGING SPECIFICATION: 938240001 PSK TRAY
  - STAND OFF TO SYSTEM BOARD 0.30 mm MIN
  - RECOMMENDED PCB THICKNESS: 1.6 mm
  - SHIELD: AVOID ROUTING TRACES  
OR PLACING ANY VIAS BELOW THESE AREAS.
  - FE VERSIONS DO NOT HAVE PINS 1A, 10A, 1B, 10B
  - MATERIAL COMPLIANT TO RoHS DIRECTIVE 2002/95/EC
  - INSCRIPTION MARKED BY LASER:  
1st: MOLEX  
2nd: PART NUMBER
  - INSCRIPTION MARKED BY LASER:  
DATE CODE (DAY/WEEK/YEAR)
  - PHY PIN LENGTH
  - SHIELD SOLDER TAB LENGTH

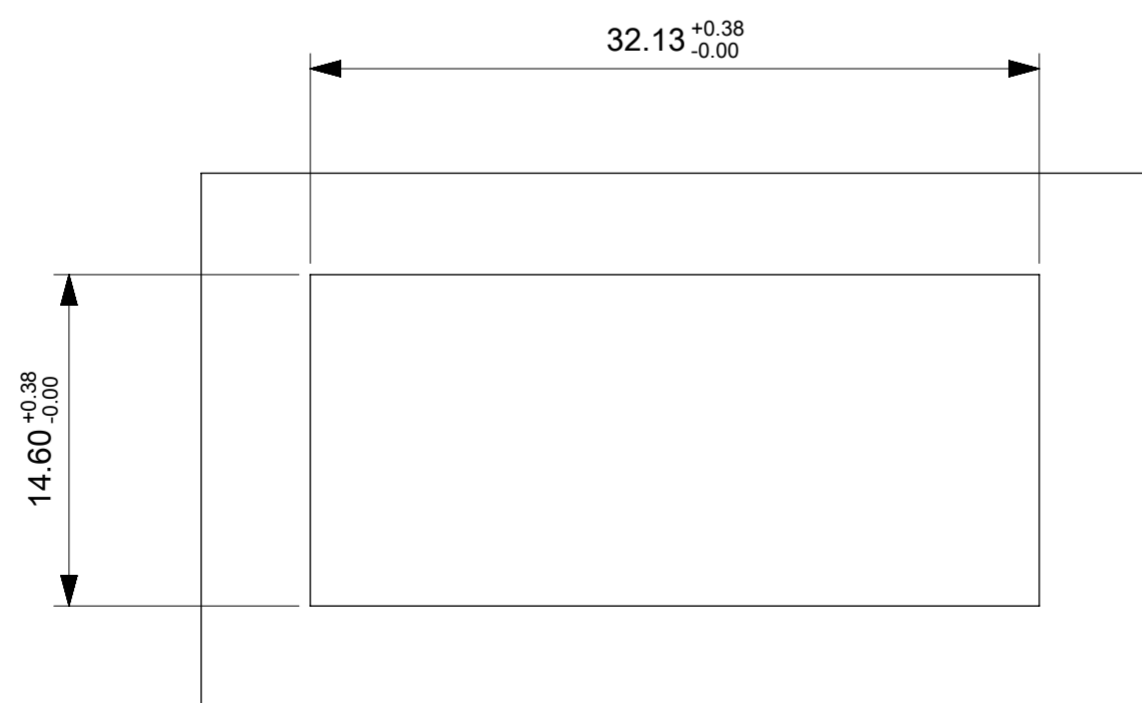


ORIGINAL RELEASE		GENERAL TOLERANCES (UNLESS SPECIFIED)		DIMENSION UNITS	SCALE	<b>molex</b>	
EC NO: 123046	2017/10/17	4 PLACES	±	mm	3:1		
DRWN: DSHEA	2017/10/23	3 PLACES	±	ANGULAR TOL ± 2.0 °	DRWN BY	DATE	MXMAG DUAL PORT 4C FE COMMERCIAL W/O LED
CHKD: SMCGREEVY	2017/11/07	2 PLACES	± 0.1	0 PLACES	SMCGREEVY	2017/10/23	
REV: APPR: DBYRNES		1 PLACE	± 0.2	PRODUCT CUSTOMER DRAWING			
		0 PLACES	±	SERIES			MATERIAL NUMBER
		DRAFT WHERE APPLICABLE MUST REMAIN WITHIN DIMENSIONS		DRAWING SIZE	THIRD ANGLE PROJECTION	93824	SEE CHART
A		A2		GENERAL MARKET		DOCUMENT NUMBER	CUSTOMER
				938240002		DOC TYPE	DOC PART SHEET NUMBER
				PSD		000	1 OF 3

RECOMMENDED PCB LAYOUT  
 FE VERSION W/O LED  
 COMPONENT SIDE  
 ALL DIMENSIONS REF DIMENSIONS



DETAIL A  
 SCALE 10:1



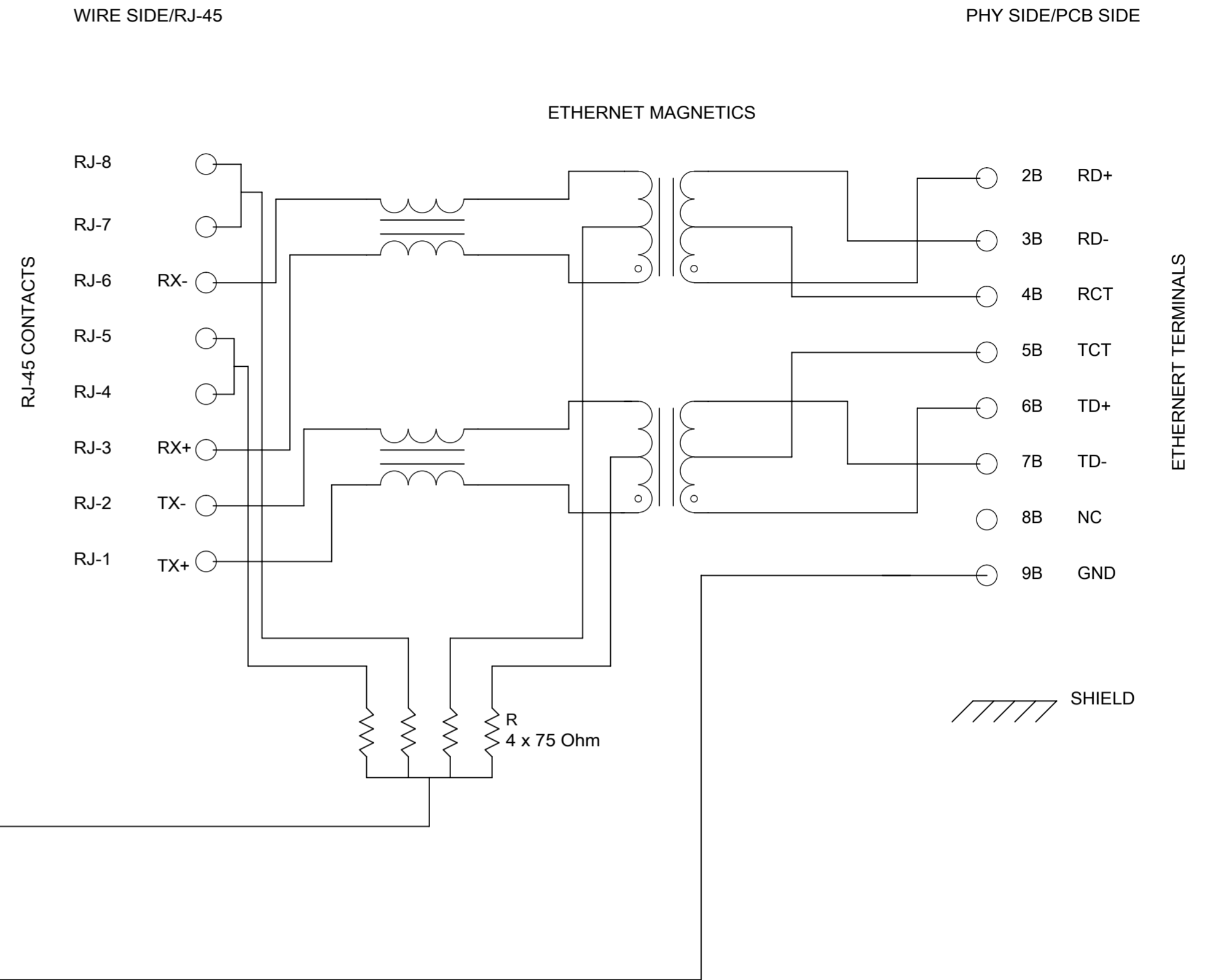
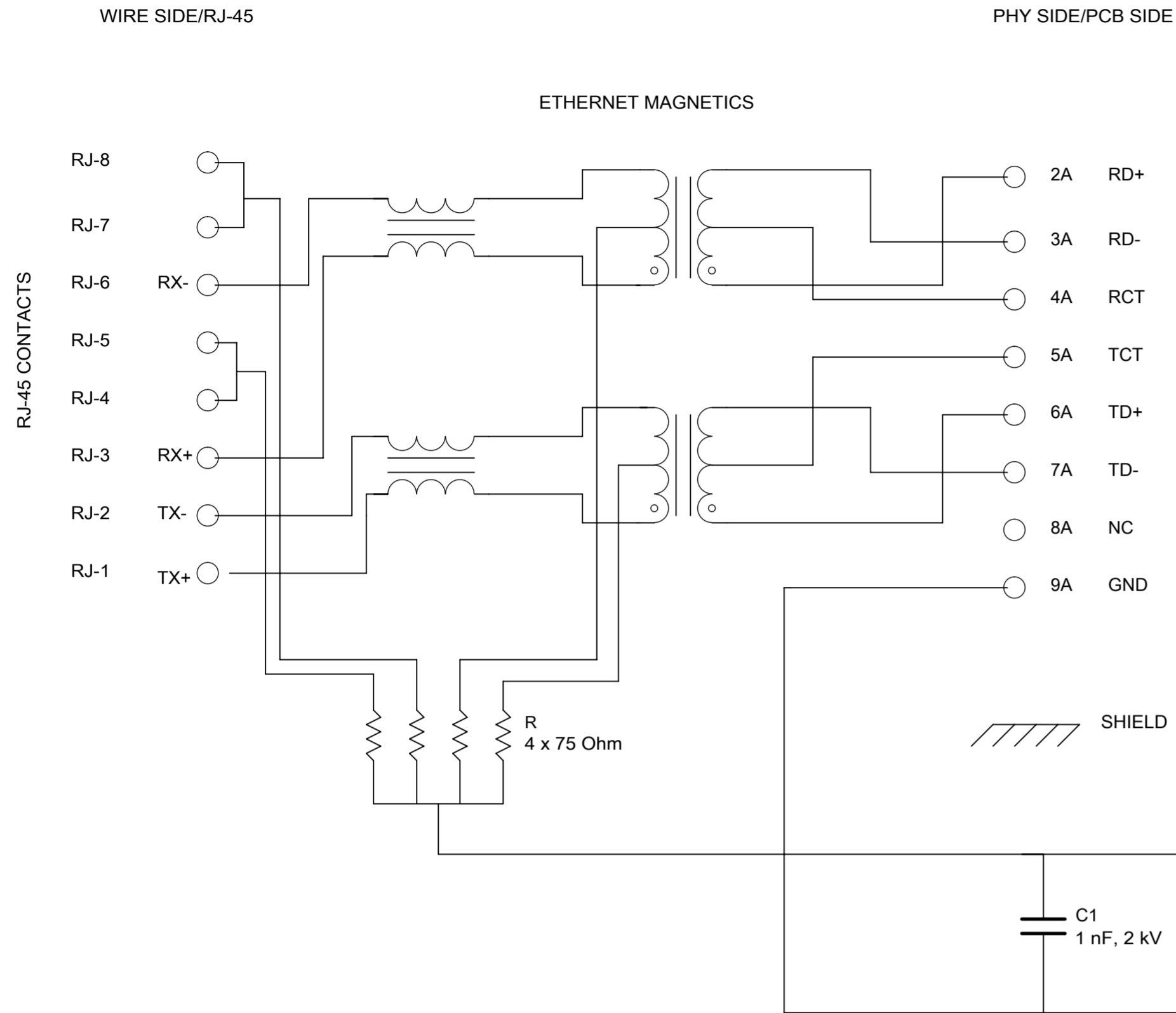
SUGGESTED PANEL CUTOUT

THIS DRAWING CONTAINS INFORMATION THAT IS PROPRIETARY TO MOLEX ELECTRONIC TECHNOLOGIES, LLC AND SHOULD NOT BE USED WITHOUT WRITTEN PERMISSION

ORIGINAL RELEASE EC NO: 123046 DRWN: DSHEA CHKD: SMCGREEVY REV: A	2017/10/17	2017/10/23	2017/11/07	GENERAL TOLERANCES (UNLESS SPECIFIED)	DIMENSION UNITS	SCALE				
	DSHEA	SMCGREEVY	DBYRNES	ANGULAR TOL ± 2.0 °	mm	3:1				
	DATE	DATE	DATE	4 PLACES ±	DRWN BY	DATE		MXMAG DUAL PORT 4C FE COMMERCIAL W/O LED PRODUCT CUSTOMER DRAWING		
	DATE	DATE	DATE	3 PLACES ±	DSHEA	2017/05/19				
	DATE	DATE	DATE	2 PLACES ± 0.1	SMCGREEVY	2017/10/23				
DATE	DATE	DATE	1 PLACE ± 0.2	DBYRNES	2017/11/07	SERIES	MATERIAL NUMBER	CUSTOMER		
DATE	DATE	DATE	0 PLACES ±	DRAFT WHERE APPLICABLE MUST REMAIN WITHIN DIMENSIONS	DRAWING SIZE	THIRD ANGLE PROJECTION	93824	SEE SHEET 1	GENERAL MARKET	
A	A2						DOCUMENT NUMBER	DOC TYPE	DOC PART	SHEET NUMBER
							938240002	PSD	000	2 OF 3

PORT A

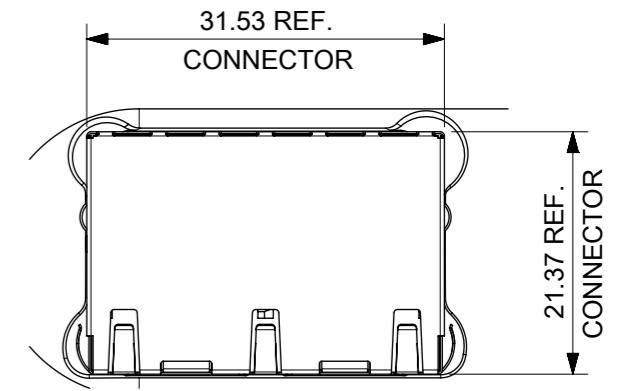
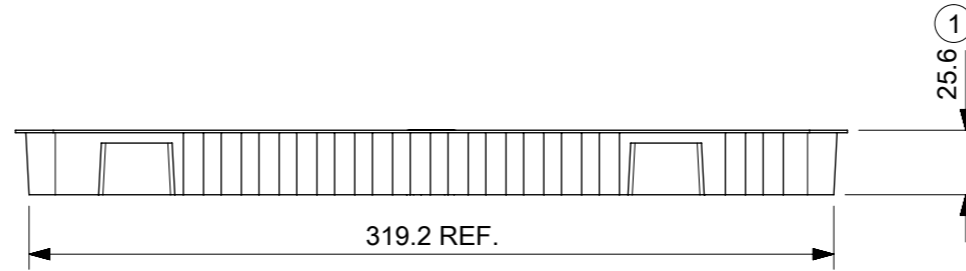
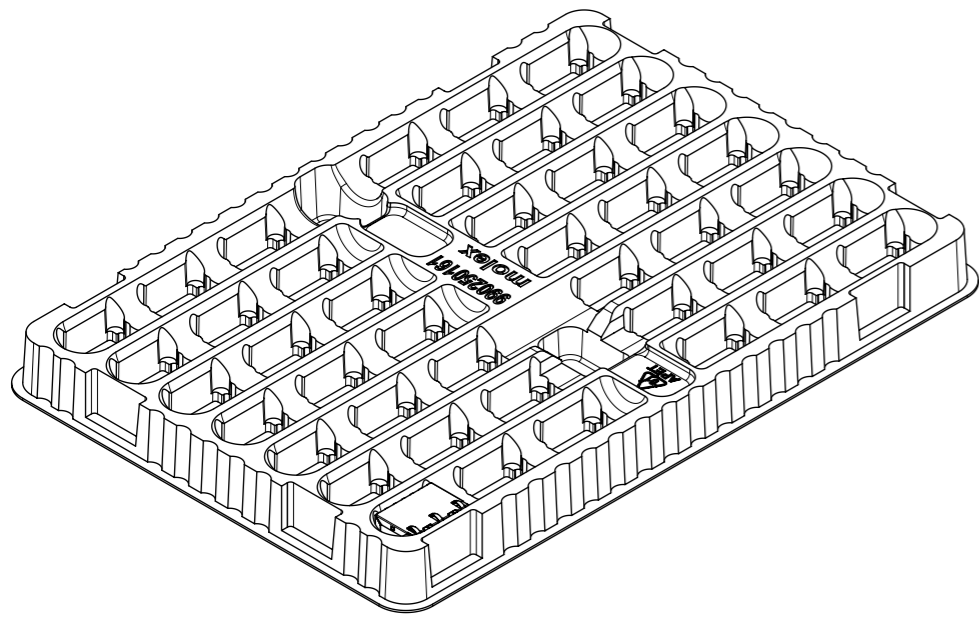
PORT B



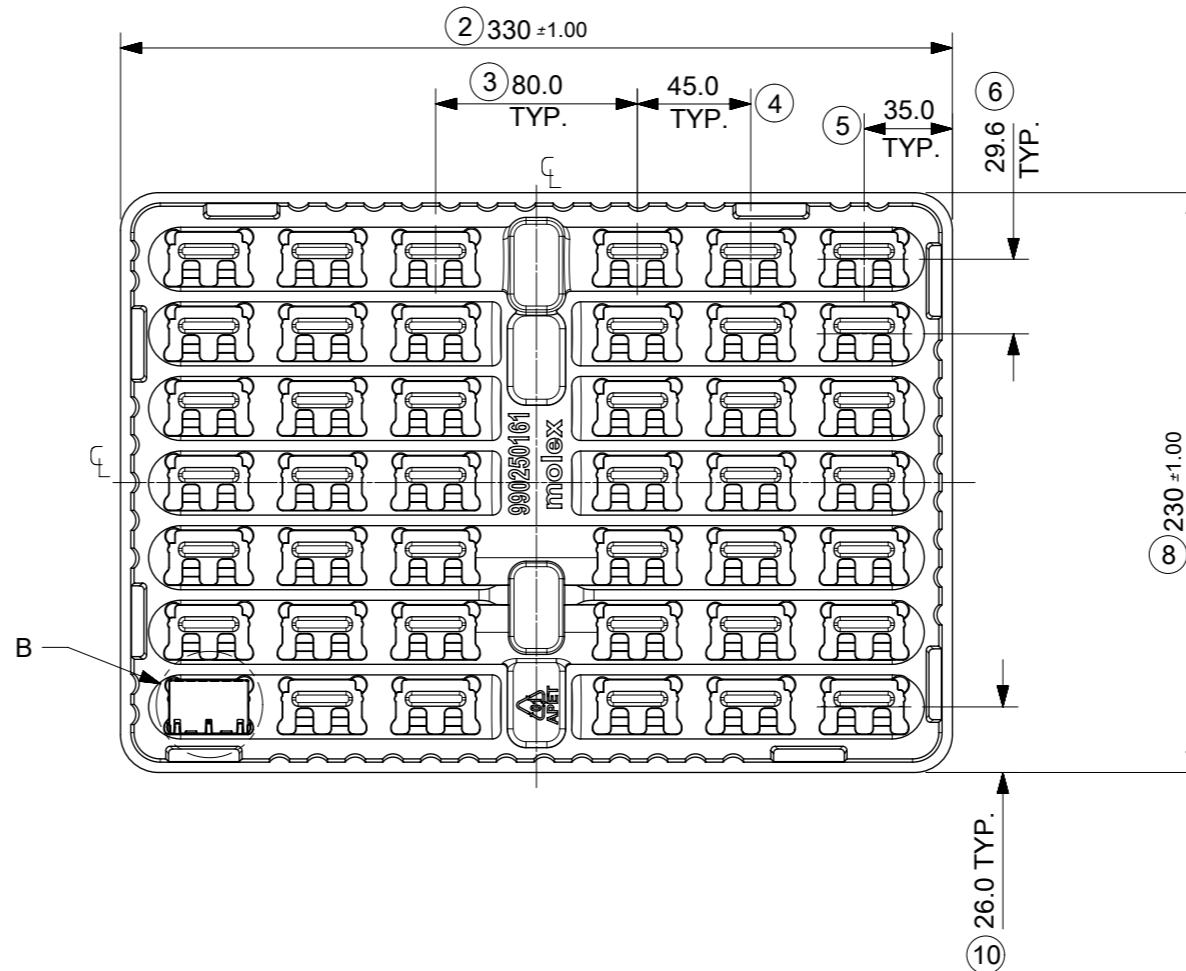
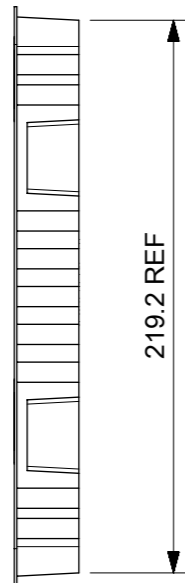
Description	Value	
OCL @100 kHz, 0.1 V 8 mA DC bias (0°C to +70°C)	350 μH min.	
Turns ratio	1CT:1CT	
Transmission characteristics @ 25°C, all four pairs		
Insertion Loss		
Frequency f, (MHz)	Limits (dB max.)	Typical Values (dB max.)
1.0-9.9	0.4+0.1*log(f)	0.5 @ 10 MHz
10-49.9	0.5+0.3*log(f/10)	0.7 @ 50 MHz
50-79.9	1+1.4*log(f/80)	1.0 @ 80 MHz
80-100	1.3+3*log(f/100)	1.3 @ 100 MHz
Return Loss		
Frequency f, (MHz)	Limits (dB min.)	Typical Values (dB min.)
1.0-39.9	18	18 @ 40 MHz
40-100	12-20*log(f/80)	10 @ 100 MHz
CMR		
Frequency f, (MHz)	Limits (dB min.)	Typical Values (dB min.)
1.0-100	30	30 @ 100 MHz
Next		
Frequency f, (MHz)	Limits (dB min.)	Typical Values (dB min.)
1.0-39.9	35	35 @ 40 MHz
40-100	33-20*log(f/50)	27 @ 100 MHz
Isolation PHY to wire side	2.25 kVDC/60sec	

THIS DRAWING CONTAINS INFORMATION THAT IS PROPRIETARY TO MOLEX ELECTRONIC TECHNOLOGIES, LLC AND SHOULD NOT BE USED WITHOUT WRITTEN PERMISSION

ORIGINAL RELEASE EC NO: 123046 DRWN: DSHEA CHKD: SMCGREEVY REV / APPR: DBYRNES	2017/10/17	2017/10/23	2017/11/07	GENERAL TOLERANCES (UNLESS SPECIFIED)	DIMENSION UNITS	SCALE	
				ANGULAR TOL ± 2.0 °	mm	1:1	
				4 PLACES ±	DRWN BY	DATE	
				3 PLACES ±	DSHEA	2017/05/19	
			2 PLACES ± 0.1	CHK'D BY	DATE	MXMAG DUAL PORT 4C FE COMMERCIAL W/O LED	
			1 PLACE ± 0.2	SMCGREEVY	2017/10/23		
			0 PLACES ±	APPR BY	DATE		
			DRAFT WHERE APPLICABLE MUST REMAIN WITHIN DIMENSIONS	DBYRNES	2017/11/07		
DRAWING SIZE		THIRD ANGLE PROJECTION		SERIES		MATERIAL NUMBER	CUSTOMER
A2				93824		SEE SHEET 1	GENERAL MARKET
DOCUMENT NUMBER				DOC TYPE	DOC PART	SHEET NUMBER	
938240002				PSD	000	3 OF 3	



DETAIL B  
SCALE 3:2



NOTES:

1. MATERIAL: PETA ANTISTATIC
2. THICKNESS: 0.9 mm REF
3. COLOUR: CLEAR
4. BOW 2 mm MAXIMUM PER 330 mm
5. TWIST 2 mm MAXIMUM PER 330 mm
6. TRAY PART NO. AND RECYCLE LOGO TO BE CLEARLY MARKED ON TRAY  
RECYCLE LOGO SHOULD BE APPROPRIATE TO MATERIAL USED
7. WHERE RELEVANT, DIMENSIONS SHOULD BE SYMMETRICAL ABOUT THE CENTRELINE
8. GENERAL PROFILE TOLERANCE  $\frac{\text{R}}{0.40}$  ON NON DIMENSIONED FEATURES
9. PACKAGING SPECIFICATION: 938240001 PSK

DIMENSION NUMBERS DELETED: 7, 9, 11, 12  
LAST INSPECTION NUMBER USED: 10

THIS DRAWING CONTAINS INFORMATION THAT IS PROPRIETARY TO MOLEX ELECTRONIC TECHNOLOGIES, LLC AND SHOULD NOT BE USED WITHOUT WRITTEN PERMISSION

ORIGINAL RELEASE EC NO: 123046 DRWN: DSHEA CHK'D: SMCGREEVY APPR: DBYRNES	2017/10/17	2017/10/23	GENERAL TOLERANCES (UNLESS SPECIFIED) ANGULAR TOL ± 1.0 ° 4 PLACES ± 3 PLACES ± 2 PLACES ± 0.2 1 PLACE ± 0.5 0 PLACES ± DRAFT WHERE APPLICABLE MUST REMAIN WITHIN DIMENSIONS	DIMENSION UNITS	SCALE				
				mm	1:3				
				DRWN BY	DATE		SMCGREEVY	2017/06/15	
				CHK'D BY	DATE		SMCGREEVY	2017/10/23	
				APPR BY	DATE	PRODUCT CUSTOMER DRAWING			
				DBYRNES	2017/11/07	SERIES	MATERIAL NUMBER	CUSTOMER	
				DRAWING SIZE	THIRD ANGLE PROJECTION	99025	990250150	GENERAL MARKET	
				A3		DOCUMENT NUMBER	DOC TYPE	DOC PART	SHEET NUMBER
						990250161	PSD	000	1 OF 1

RELEASE STATUS	P1	RELEASE DATE	07.11.2017	10:13:22
----------------	----	--------------	------------	----------