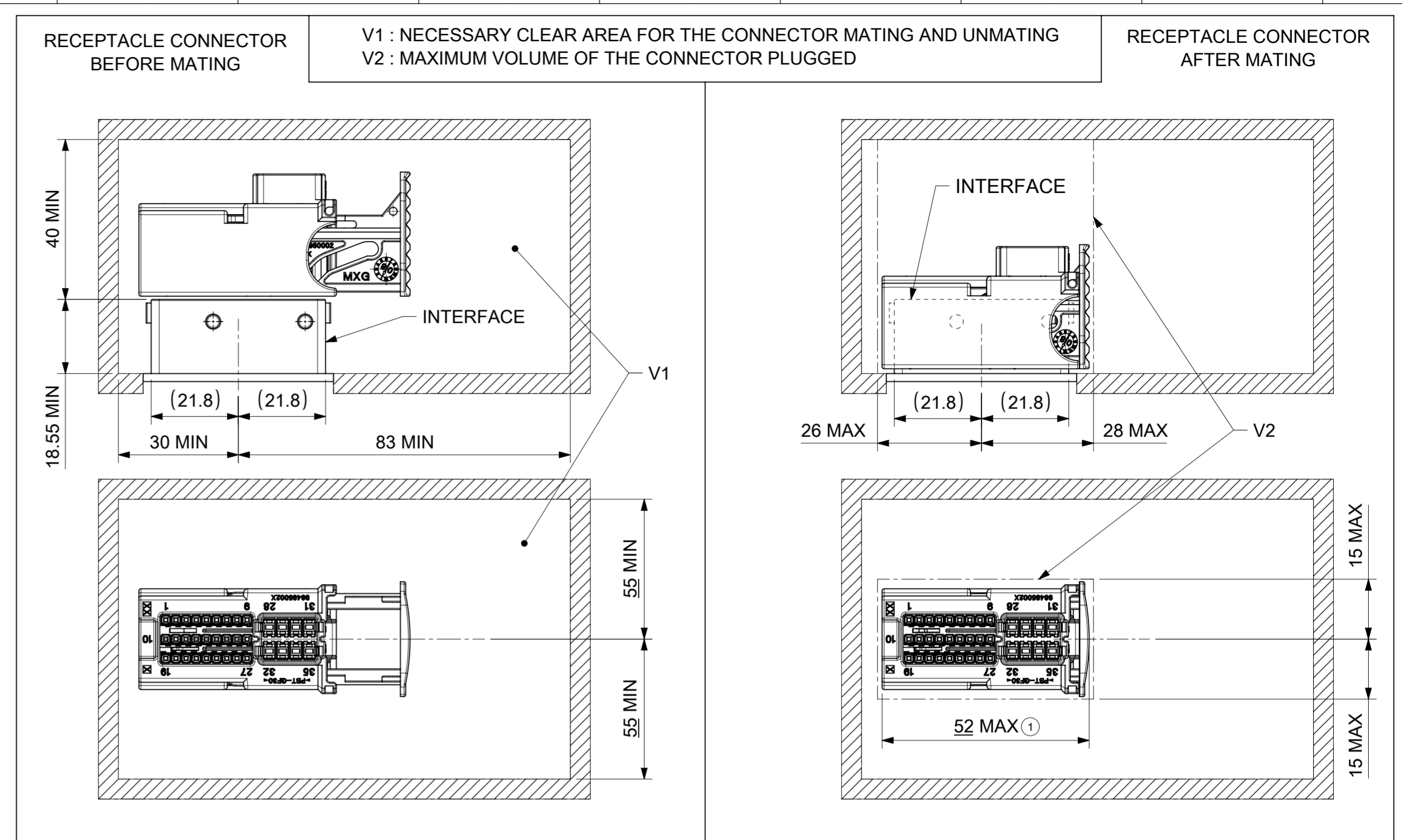
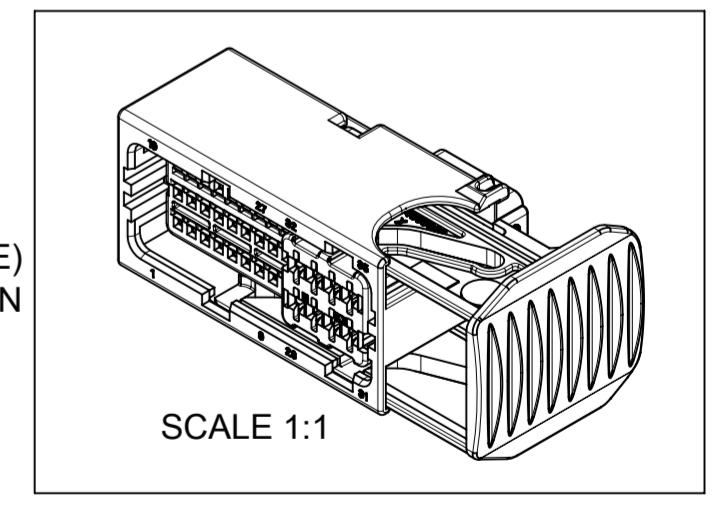


CODING TABLE



NOTES:

- 1 - PRODUCT SPECIFICATION: 984950001-PS PS 000
- 2 - APPLICATION SPECIFICATION: 984950001-AS PS 000
- 3 - PACKAGING SPECIFICATION: PK-31301-336 PDD 001
- 4 - MATES WITH: 0984981001 (BLACK), 0984981006 (BLUE), 0984981008 (GREY), 0984981009 (BROWN), 0984951000 (WHITE)
- 5 - FOR USE WITH TERMINALS: SEE APPLICATION SPECIFICATION
- 6 - PRODUCT WEIGHT (CALCULATED): 22.969g



SCALE 1:1

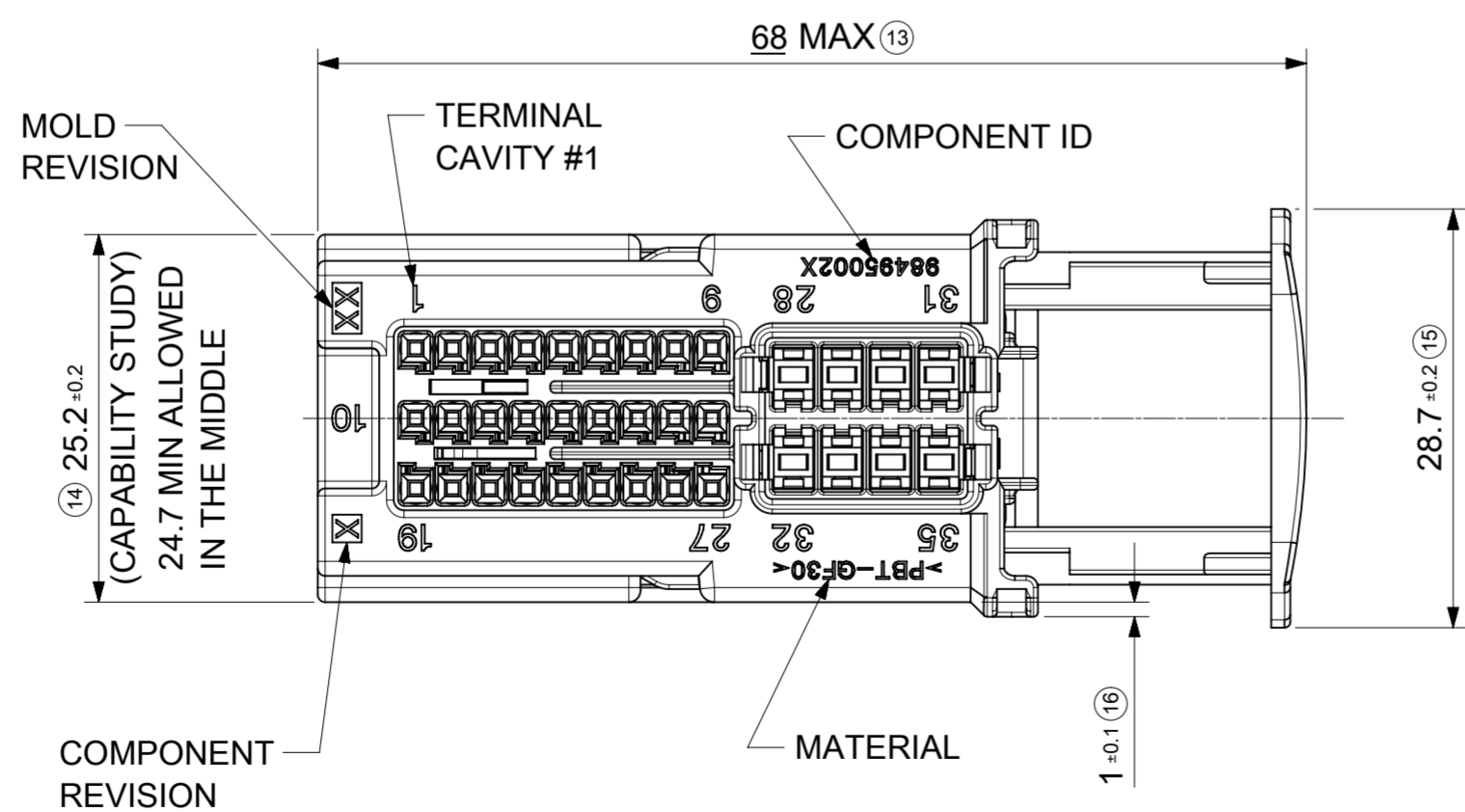
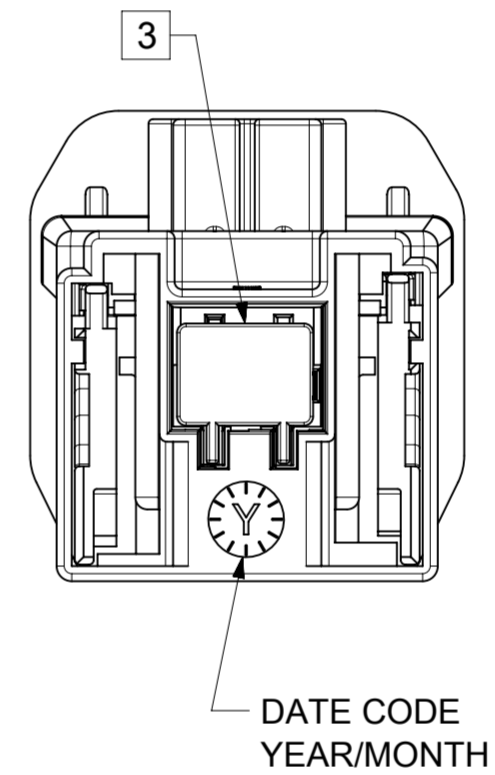
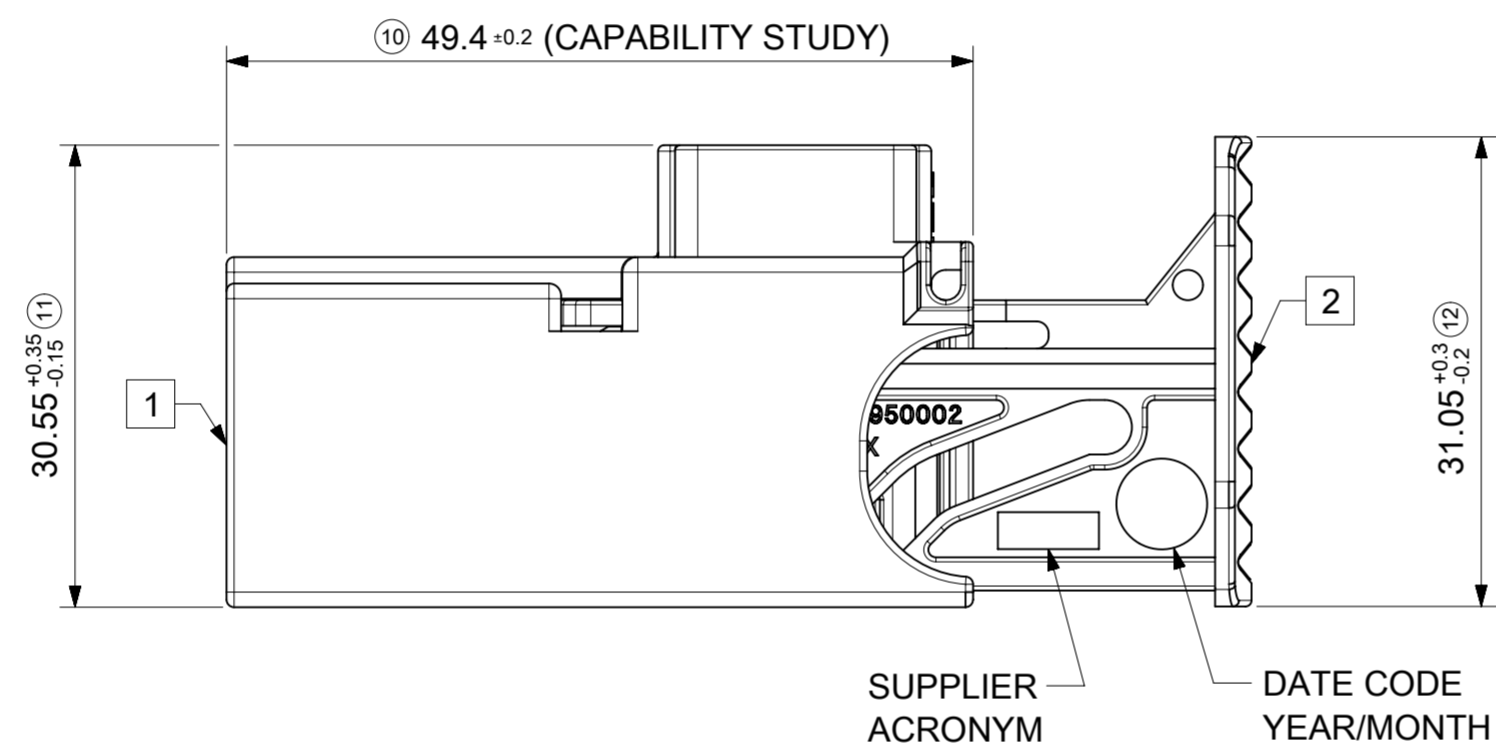
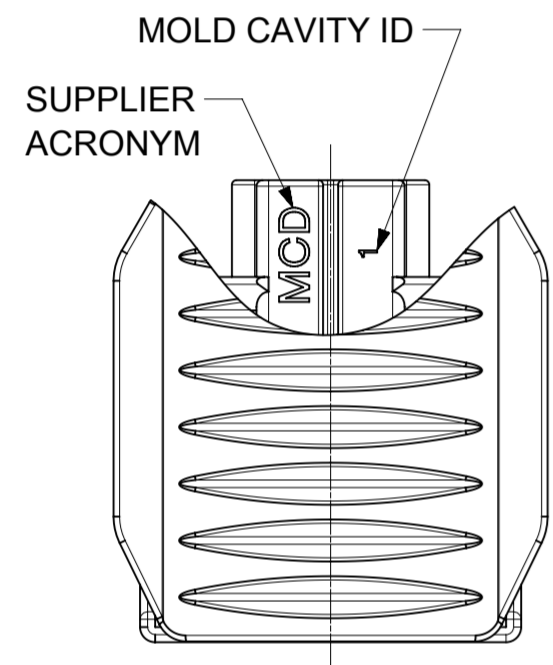
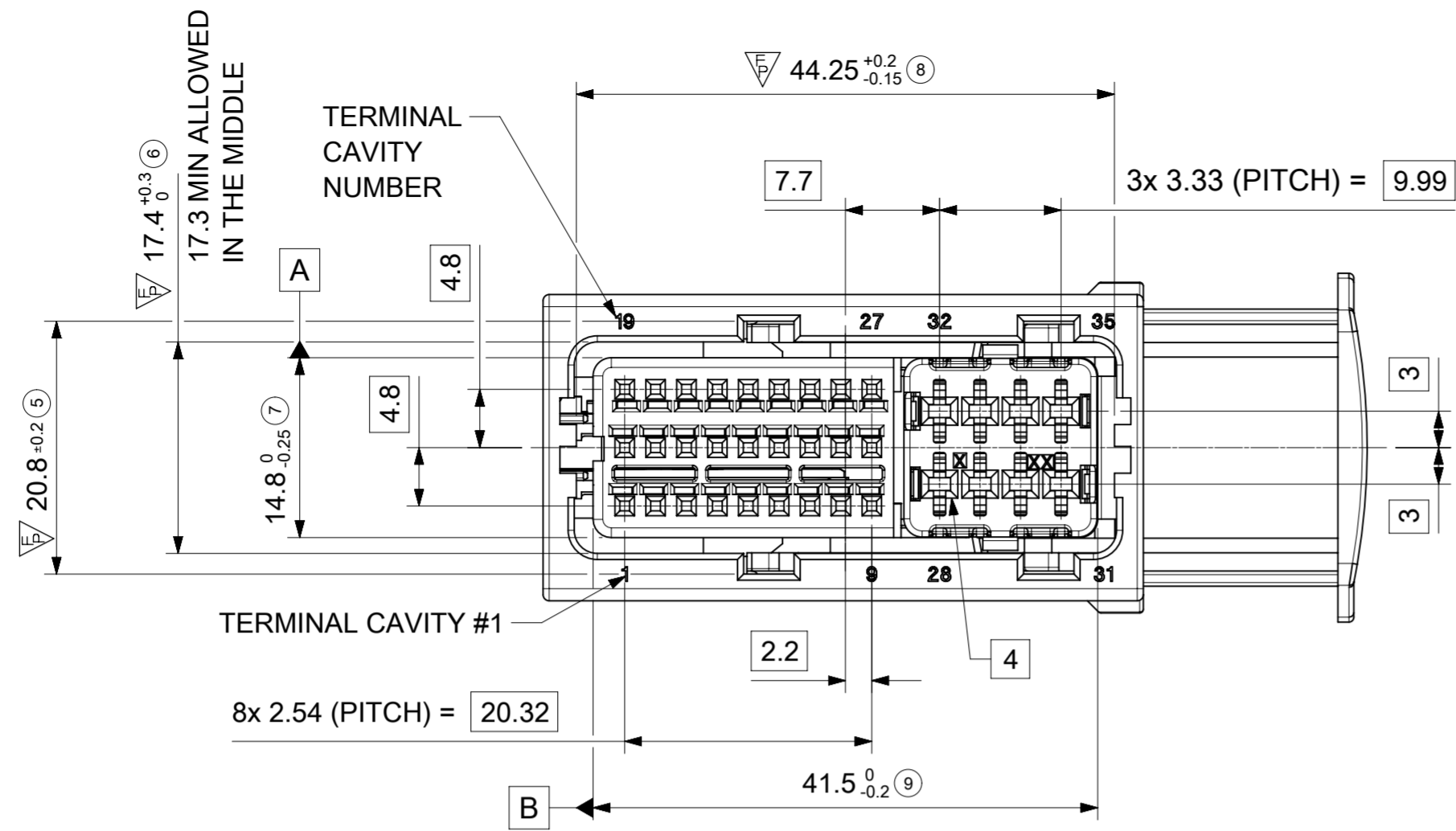
FUNCTIONAL SYMBOLS	THIS DRAWING CONTAINS INFORMATION THAT IS PROPRIETARY TO MOLEX ELECTRONIC TECHNOLOGIES, LLC AND SHOULD NOT BE USED WITHOUT WRITTEN PERMISSION									
	DIMENSION UNITS	SCALE	CURRENT REV DESC: ADDED CODING							
$F_A = 0$	mm	2:1								
$F_C = 0$	GENERAL TOLERANCES (UNLESS SPECIFIED)									
$F_P = 15$	ANGULAR TOL $\pm 2.0^\circ$									
DIVISIONAL SYMBOLS	4 PLACES	\pm	EC NO: 686818							
	3 PLACES	\pm	DRWN: SCV 2021/11/09							
	2 PLACES	± 0.1	CHK'D: OPLESSIS 2021/12/03							
	1 PLACE	± 0.2	APPR: FPAROLARI 2021/12/06							
	0 PLACES	\pm	INITIAL REVISION: DRWN: FPAROLARI 2021/03/02							
DRAFT WHERE APPLICABLE MUST REMAIN WITHIN DIMENSIONS		FIRST ANGLE PROJECTION	DRAWING	SERIES	MATERIAL NUMBER	CUSTOMER	SHEET NUMBER			
			A2-SIZE	98495	SEE CODING TABLE	GENERAL MARKET	1 OF 2			

molex

HYBRID 35W RCPT CONNECTOR
ROUND WIRE VERSION

PRODUCT CUSTOMER DRAWING

DOCUMENT NUMBER: **984950001-SD**
DOC TYPE: PSD
DOC PART: 000
REVISION: **A1**



4	TPA 1.5	PBT-GF20	YELLOW
3	TPA 0.63	PBT-GF20	YELLOW
2	SLIDE	PBT-GF20	RED
1	FEM HOUSING	PBT-GF30	SEE CODING TABLE
REP	DESCRIPTION	MATERIAL	COLOR

FUNCTIONAL SYMBOLS	THIS DRAWING CONTAINS INFORMATION THAT IS PROPRIETARY TO MOLEX ELECTRONIC TECHNOLOGIES, LLC AND SHOULD NOT BE USED WITHOUT WRITTEN PERMISSION		
$F_A = 0$	DIMENSION UNITS	SCALE	CURRENT REV DESC: ADDED CODING
$F_C = 0$	mm	2:1	
$F_P = 4$	GENERAL TOLERANCES (UNLESS SPECIFIED)		
	ANGULAR TOL ± 2.0°		
	4 PLACES ±	EC NO: 686818	
	3 PLACES ±	DRWN: SCV	2021/11/09
	2 PLACES ± 0.1	CHK'D: OPLESSIS	2021/12/03
	1 PLACE ± 0.2	APPR: FPAROLARI	2021/12/06
	0 PLACES ±	INITIAL REVISION:	
		DRWN: FPAROLARI	2021/03/02
		APPR: BDESSIRIER	2021/03/26
	DRAFT WHERE APPLICABLE MUST REMAIN WITHIN DIMENSIONS	FIRST ANGLE PROJECTION	DRAWING SERIES MATERIAL NUMBER CUSTOMER SHEET NUMBER
		A2-SIZE	98495 SEE CODING TABLE GENERAL MARKET 2 OF 2

molex

HYBRID 35W RCPT CONNECTOR
ROUND WIRE VERSION

PRODUCT CUSTOMER DRAWING

DOCUMENT NUMBER	DOC TYPE	DOC PART	REVISION
984950001-SD	PSD	000	A1