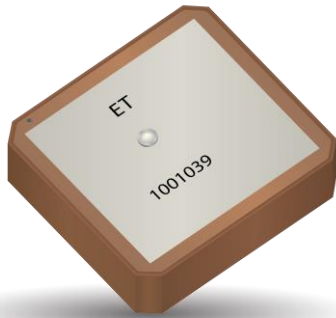


Part No. 1001039

GPS Ceramic Patch Antenna

1.575 GHz

Supports: Tracking, Smart Home, Agriculture, Automotive, Healthcare, Digital Signage, Wearables, Industrial Devices



GPS Ceramic Patch Antenna

1.575 GHz

KEY BENEFITS

Reduced Costs and Time-to-Market

Standard antenna eliminates design fees and cycle time associated with a custom solution; getting products to market faster.

Quicker Time-to-Market

By optimizing antenna size, performance and emissions, customer and regulatory specifications are more easily met.

Reliability

Products are the latest RoHS version compliant.

APPLICATIONS

- Embedded design
- POS, Headsets, Tablets
- Gateway, Access Point
- Handheld
- Telematics
- Tracking
- Healthcare
- M2M, Industrial devices
- Smart Grid
- OBD-II

Ethertronics' antennas deliver on the key needs of device designers for higher functionality and performance in smaller/thinner designs. These innovative antennas provide compelling advantages for GPS enabled handheld devices, media players and other mobile devices.

Electrical Specifications

Typical Characteristics, on 70 x 70 mm ground plane

Frequency	1.575 GHz
Center Frequency f_0	1575 ± 3.0 MHz
Return Loss	< -20 dB
Gain 0° XZ-Plane	5.3 dBic
Polarization	R.H.C.P
Impedance	50 ohm
Axial Ratio	1.8 dB

Mechanical Specifications & Ordering Part Number

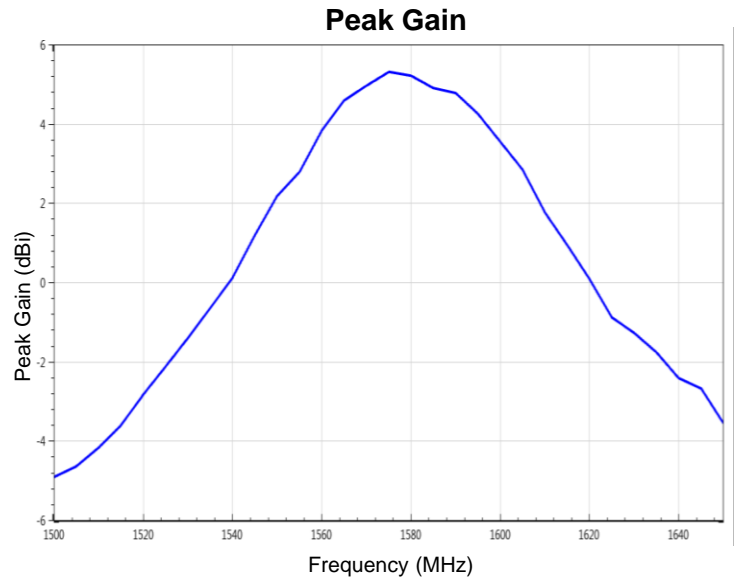
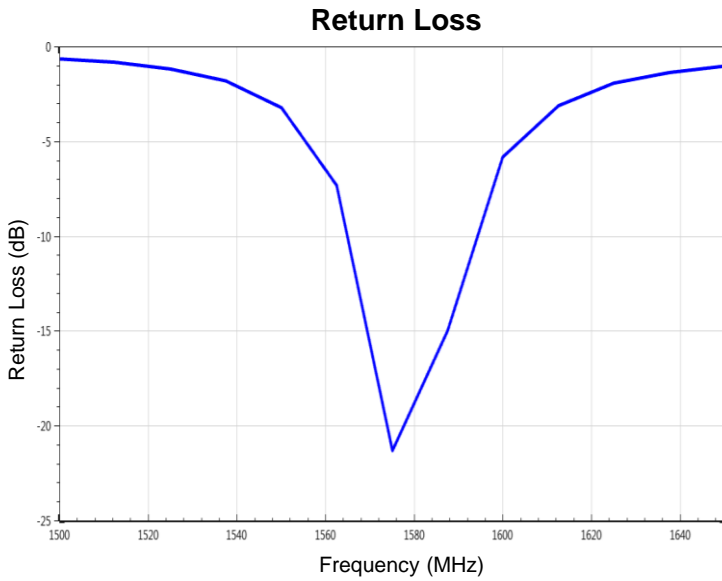
Ordering Part Number	1001039
Size (mm)	25.0 x 25.0 x 4.5
Mounting (mm)	Adhesive (Nitto 5000NS 22 x 22 x 0.16) & 1 through-hole Soldered Pin
Weight (grams)	9.4
Packaging	Plastic Tray



1.575 GHz Ethertronics' Embedded Antenna Specifications.
Ethertronics produces a wide variety of standard and custom antennas to meet user needs.

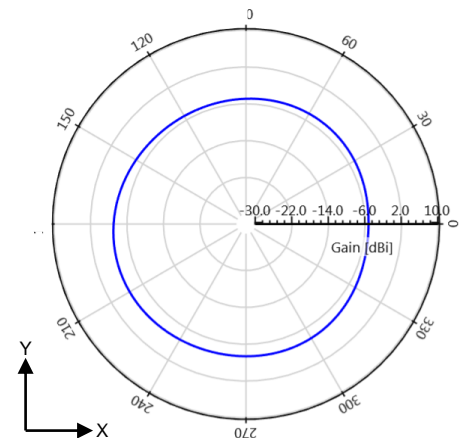
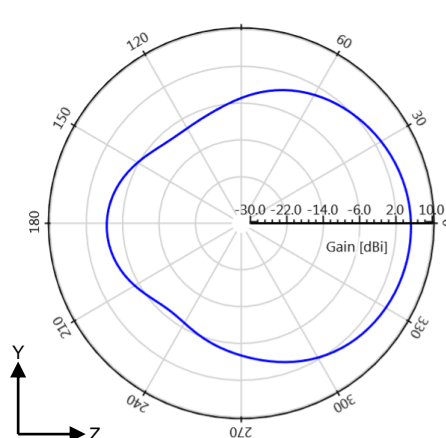
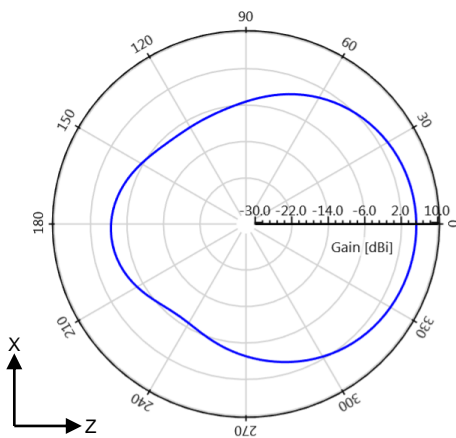
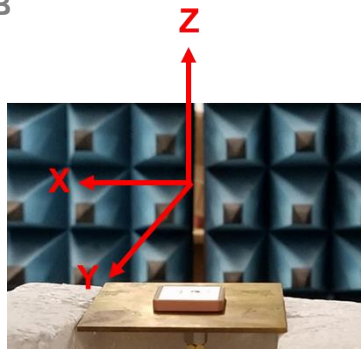
VSWR and Peak Gain Plots

Typical performance on 70 x 70 mm PCB



Antenna Radiation Patterns

Typical performance on 70 x 70 mm PCB
Measured @ 1575 MHz



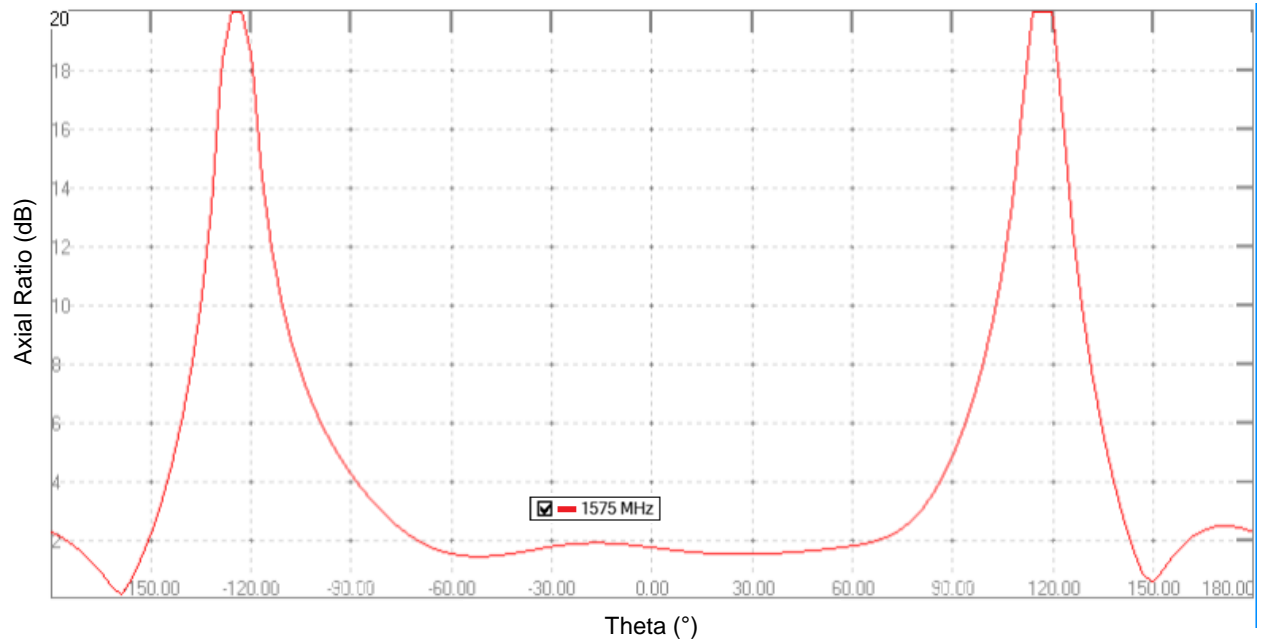


1.575 GHz Ethertronics' Embedded Antenna Specifications.
Ethertronics produces a wide variety of standard and custom antennas to meet user needs.

Axial Ratio, RHCP, LHCP Plots

Typical performance on 70 x 70 mm PCB
Measured @ 1575 MHz

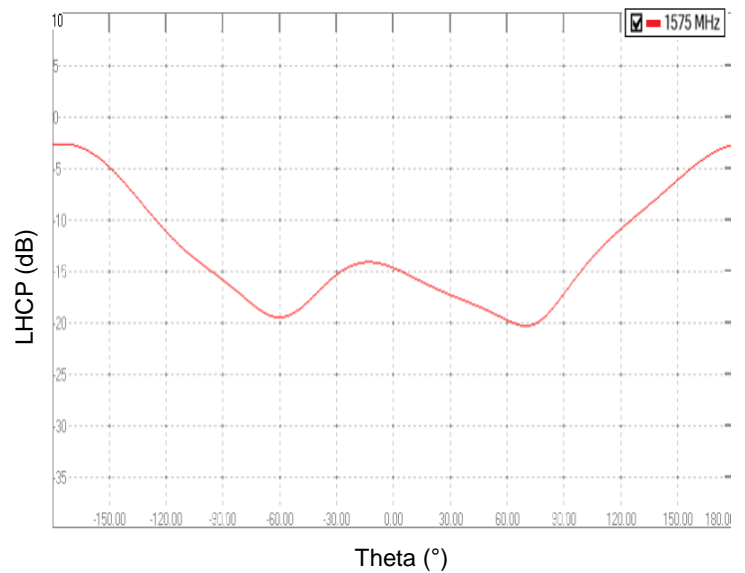
Phi = 0



RHCP



LHCP



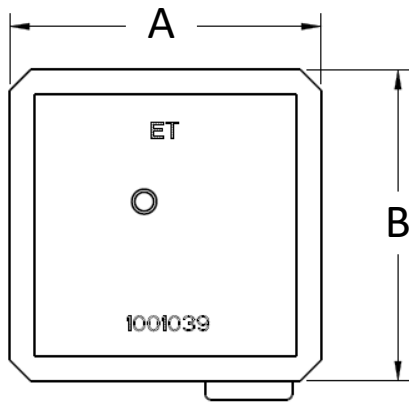


1.575 GHz Ethertronics' Embedded Antenna Specifications.
Ethertronics produces a wide variety of standard and custom antennas to meet user needs.

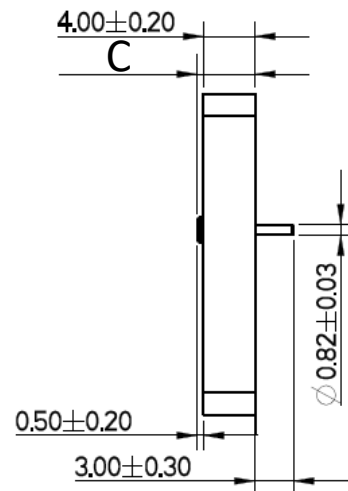
Mechanical Dimensions

Typical antenna dimensions, in mm.

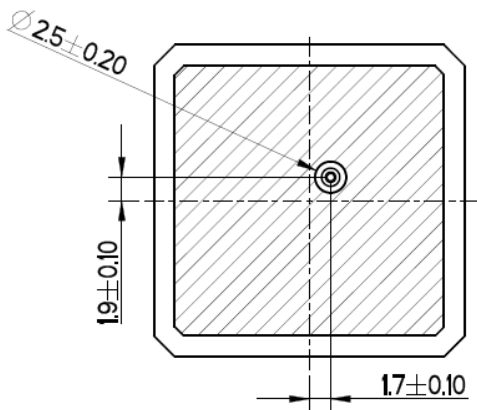
Part Number	A (mm)	B (mm)	C (mm)
1001039	25.0 ± 0.2	25.0 ± 0.2	4.5 ± 0.4



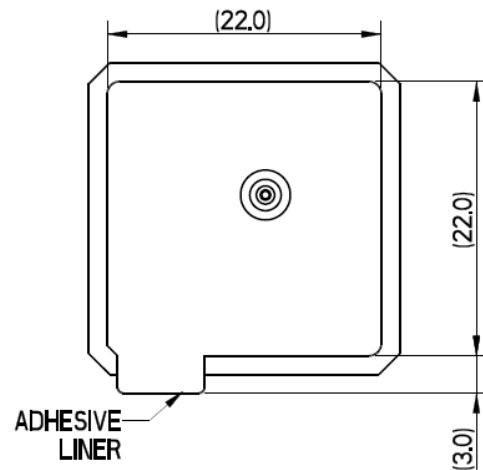
Top View



Side View



Bottom View



**Adhesive Liner View
(Bottom)**