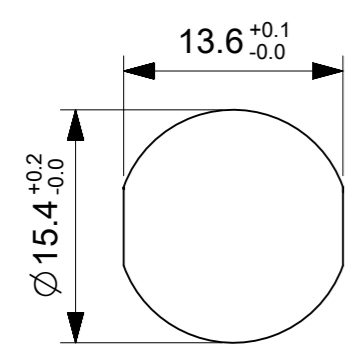
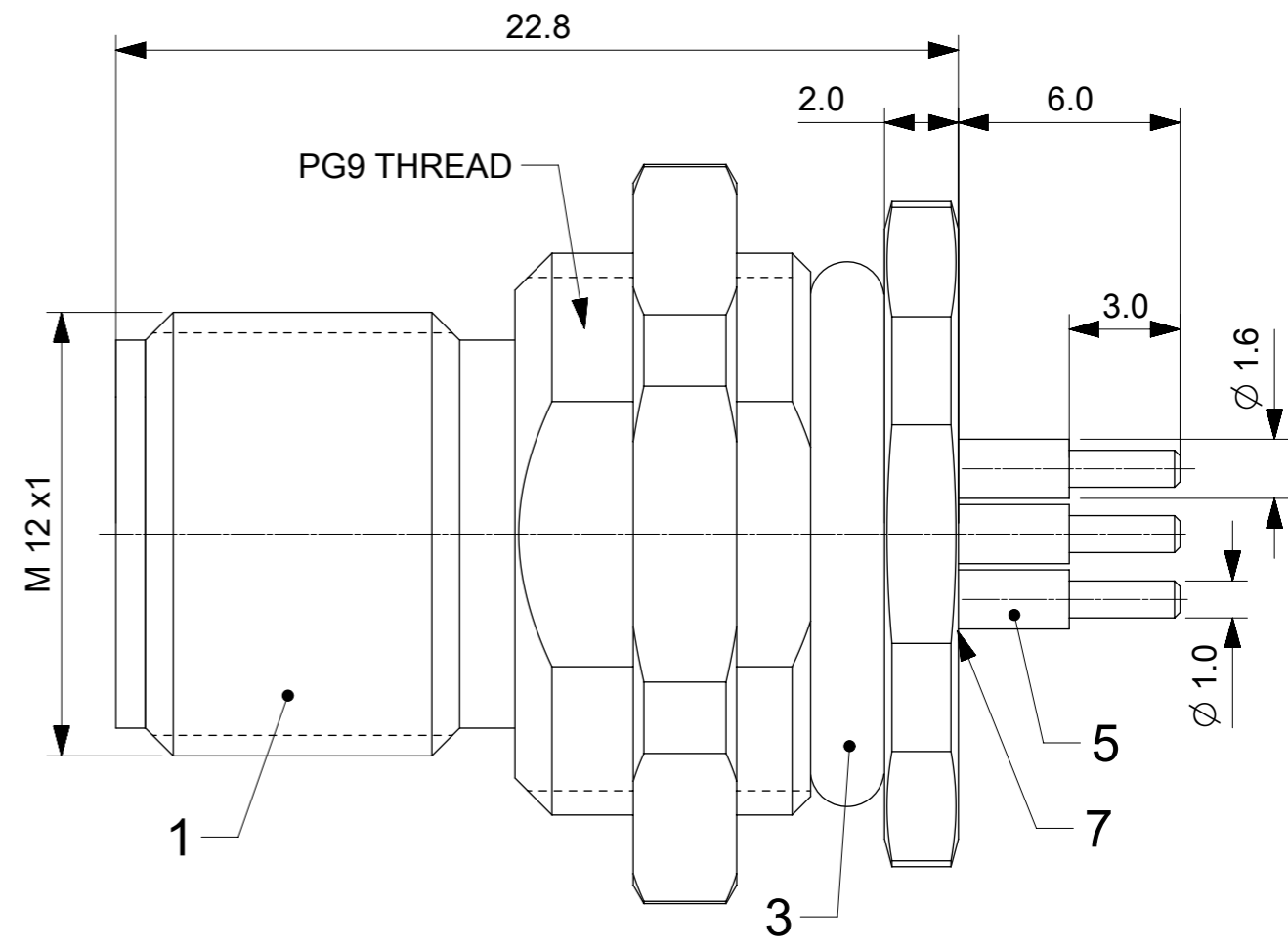


FRONT SIDE WITHOUT LOCKNUT PRESENTED

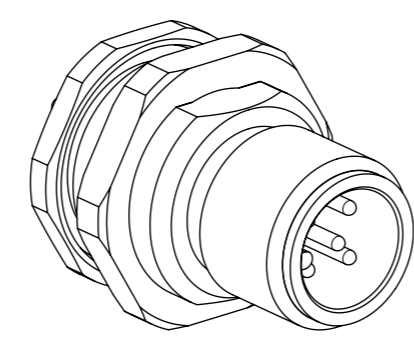


PANEL CUT OUT
MAX. PANEL THICKNESS 4.5 mm

ENG.-NO.: 8R5J46000 /
0912-056GM-05000

ITEM	QTY	DESCRIPTION	MATERIAL	FINISH
7	-	POTTING	RESIN	-
6	1	CONTACT	BRASS	AU OVER NI
5	4	CONTACT	BRASS	AU OVER NI
4	1	INSERT	PUR, BK	-
3	1	O-RING	NBR, BK	
2	1	LOCKNUT	BRASS	Ni
1	1	SHELL	BRASS	Ni

NOTES:
 AMPERAGE RATING: 4,0A
 VOLTAGE RATING: 60V
 OPERATING TEMPERATURE: -25°C TO +85°C
 PROTECTION: IP68



SCALE 2:1

THIS DRAWING CONTAINS INFORMATION THAT IS PROPRIETARY TO MOLEX INCORPORATED AND SHOULD NOT BE USED WITHOUT WRITTEN PERMISSION

EC DESCRIPTION EC NO: 100381 DRWN: RSCHIEBER CHK'D: RSILLER APPR: RSILLER	2015/04/14	2015/05/04	2015/05/04	QUALITY SYMBOLS	GENERAL TOLERANCES (UNLESS SPECIFIED) ANGULAR TOL ± 1.0 ° 4 PLACES ± 3 PLACES ± 2 PLACES ± 0.05 1 PLACE ± 0.3 0 PLACES ± 0.5 DRAFT WHERE APPLICABLE MUST REMAIN WITHIN DIMENSIONS	DIMENSION UNITS	SCALE				
				mm		5:1					
				DRWN BY		DATE	RSCHIEBER	2015/02/25	REC M12 5P AC MA STR UNSH BM PG9		
				CHK'D BY		DATE					
			APPR BY	DATE	RSILLER	2015/05/04	PRODUCT CUSTOMER DRAWING				
			DRAWING SIZE	THIRD ANGLE PROJECTION	A3		SERIES	MATERIAL NUMBER	CUSTOMER		
							120070	1200708031			
							DOCUMENT NUMBER	DOC TYPE	DOC PART	SHEET NUMBER	
							1200708031	PSD	000	1 OF 1	