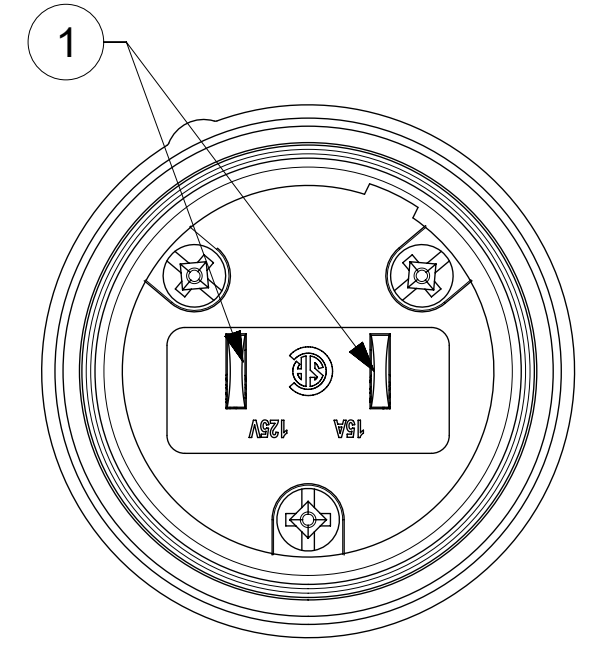
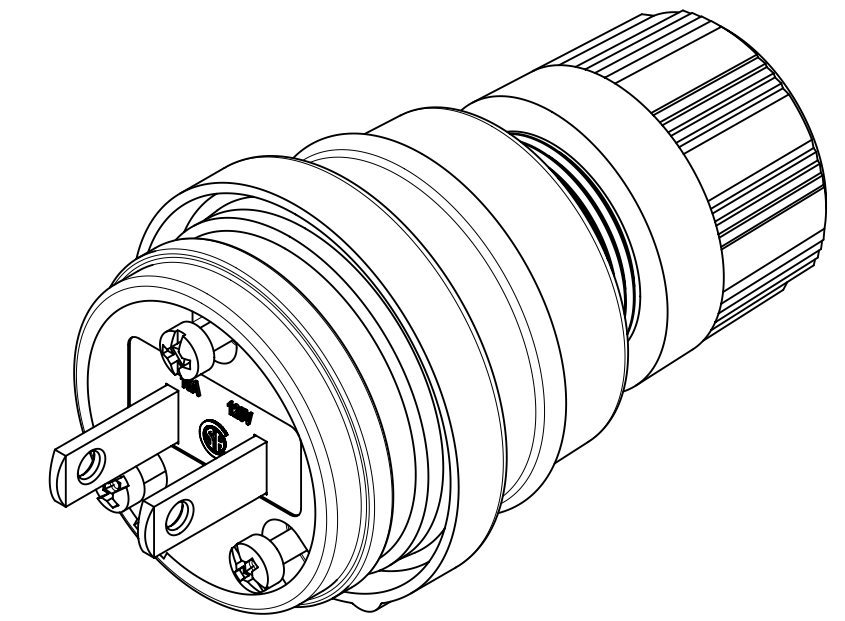
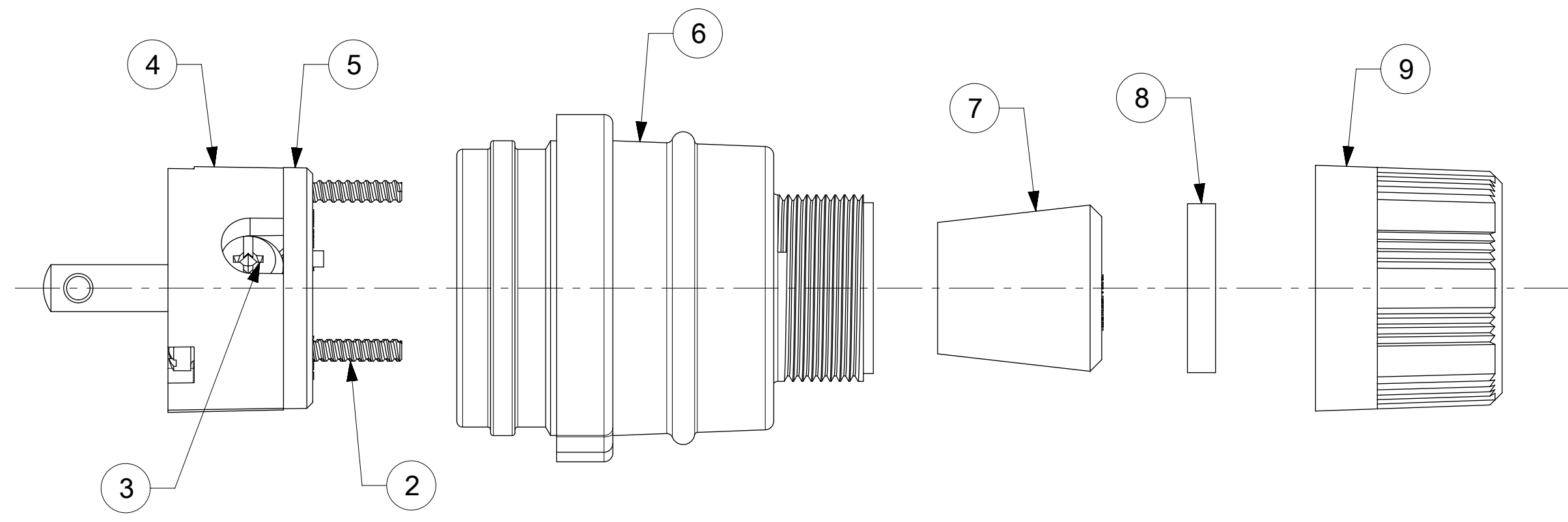
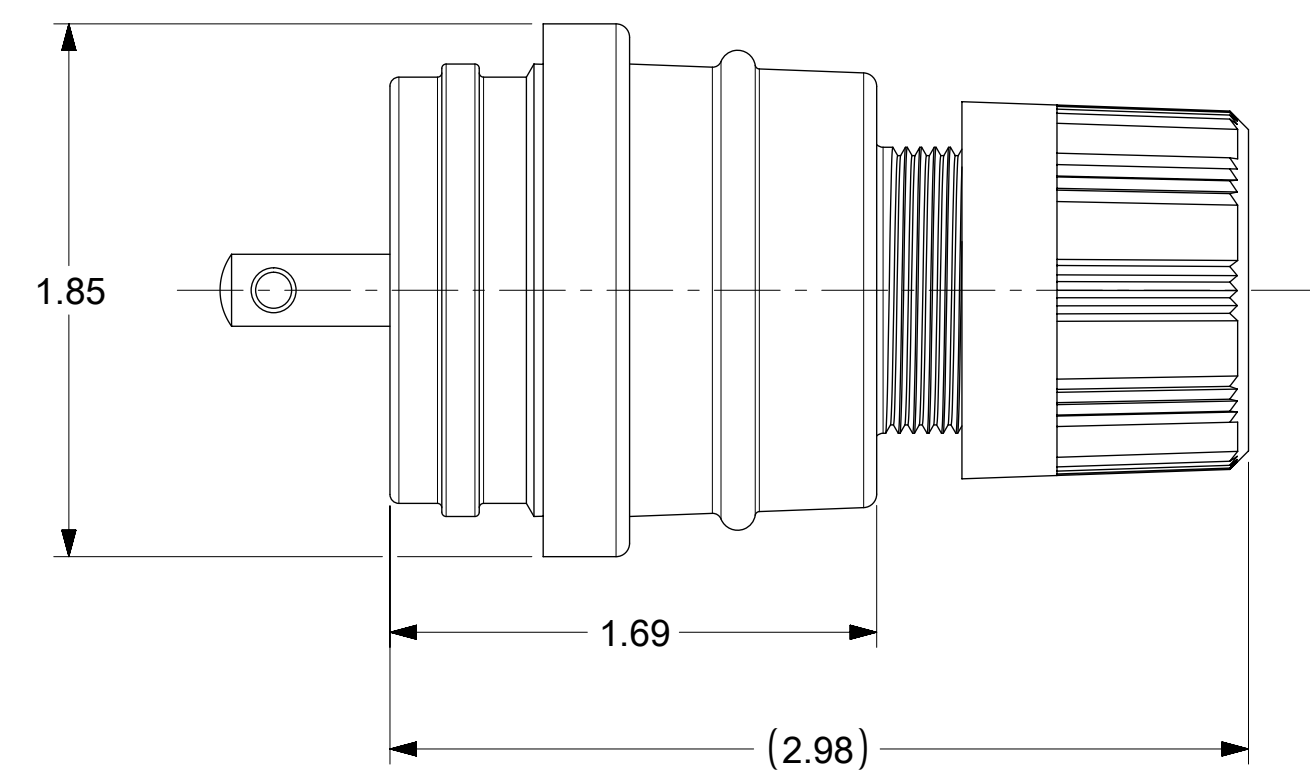


ORDER NO.	WOODHEAD NO.	COLOR
130146-0179	14W04-P	YELLOW



FACE VIEW



NOTES:

1. SEE INSTRUCTION SHEET NUMBER 1301414770 FOR PRODUCT SPECIFICATION.
2. CABLE RANGE FROM 0.375" TO 0.625"

ITEM NO.	DESCRIPTIONS	MATERIAL	QTY.
1	BLADES	BRASS	2
2	RETAINING SCREWS	STAINLESS STEEL	3
3	TERMINAL SCREWS	BRASS, ZINC PLATED	2
4	INSERT	NYLON	1
5	TERMINAL COVER	POLYCARBONATE	1
6	HOUSING	RUBBER WITH NYLON THREAD	1
7	GROMMETS	RUBBER	5
8	FRICTION RING	NYLON	1
9	COMPRESSION NUT	NYLON	1

THIS DRAWING CONTAINS INFORMATION THAT IS PROPRIETARY TO MOLEX ELECTRONIC TECHNOLOGIES, LLC AND SHOULD NOT BE USED WITHOUT WRITTEN PERMISSION									
SYMBOLS		DIMENSION UNITS		SCALE		CURRENT REV DESC: RELEASED			
▽ = 0	▽ = 0	INCH		NTS		<p>molex</p> <p>WATERTITE PLUG, 1-15P</p> <p>PRODUCT CUSTOMER DRAWING</p> <p>DOCUMENT NUMBER: 1301460179 DOC TYPE: PSD DOC PART: 000 REVISION: A</p> <p>MATERIAL NUMBER: SEE TABLE CUSTOMER: GENERAL MARKET SHEET NUMBER: 1 OF 1</p>			
▽ = 0	▽ = 0	GENERAL TOLERANCES (UNLESS SPECIFIED)							
▽ = 0	▽ = 0	ANGULAR TOL ± 0.5°							
▽ = 0	▽ = 0	4 PLACES ±							
▽ = 0	▽ = 0	3 PLACES ± 0.005							
▽ = 0	▽ = 0	2 PLACES ± 0.01							
▽ = 0	▽ = 0	1 PLACE ± 0.02							
▽ = 0	▽ = 0	DRAFT WHERE APPLICABLE MUST REMAIN WITHIN DIMENSIONS				THIRD ANGLE PROJECTION		DRAWING SERIES	
▽ = 0	▽ = 0	C-SIZE		130146		<p>EC NO: 613379</p> <p>DRWN: ABABU01 2018/11/12</p> <p>CHK'D: DNGUYEN62 2019/03/13</p> <p>APPR: HKNEELAND 2019/03/18</p> <p>INITIAL REVISION:</p> <p>DRWN: ABABU01 2018/11/12</p> <p>APPR: HKNEELAND 2019/03/18</p>			