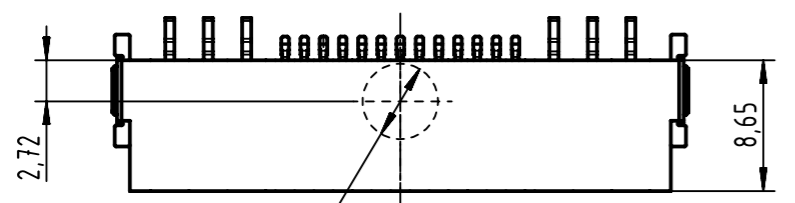
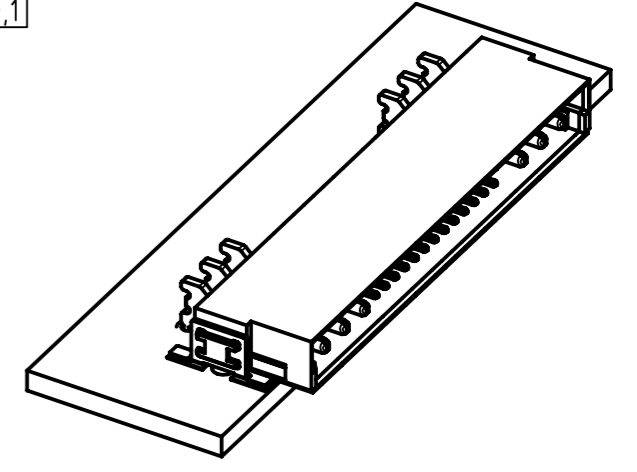
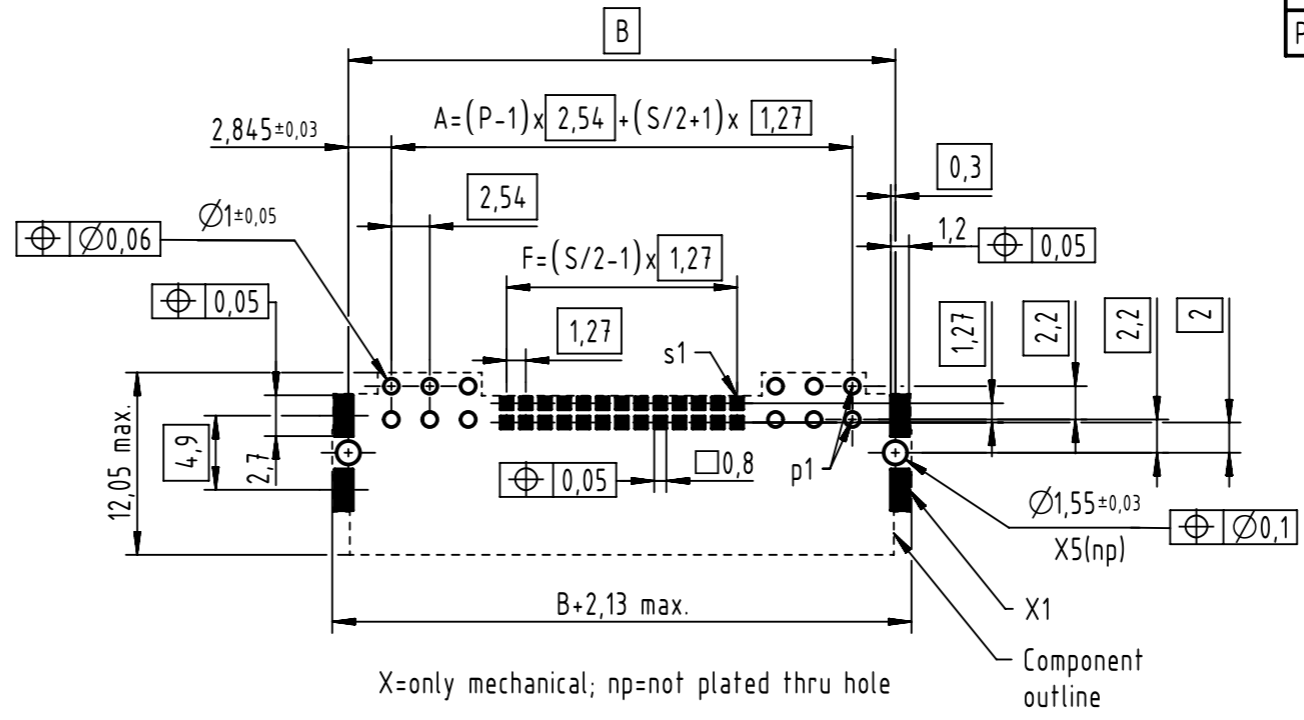
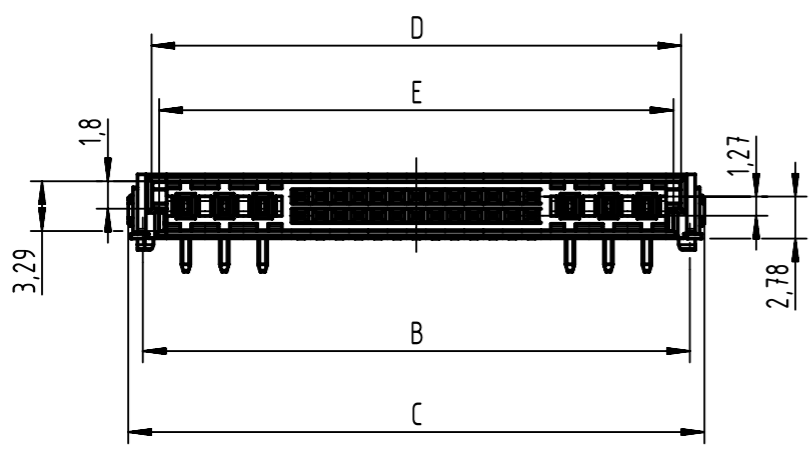
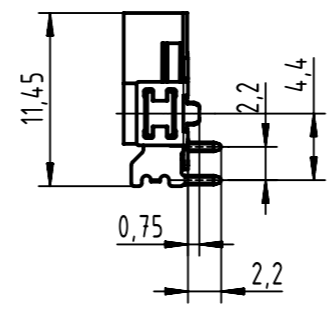
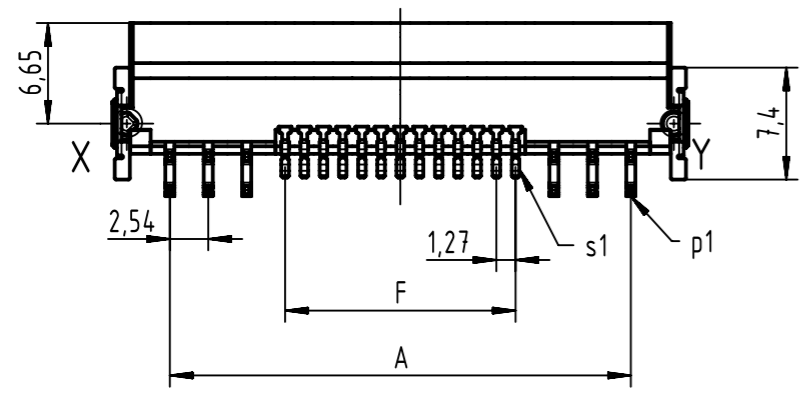


Power poles P=	Signal poles S=	Part number	A	B	C	D	E	F
2	8	1575 208 X701 XXX	8,89	14,58	16,51	13,42	12,42	3,81
4	16	1575 416 X701 XXX	19,05	24,74	26,67	23,58	22,58	8,89
6	26	1575 626 X701 XXX	30,48	36,17	38,1	35,01	34,01	15,24
8	36	1575 836 X701 XXX	41,91	47,6	49,53	46,44	45,44	21,59

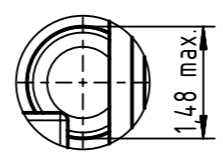
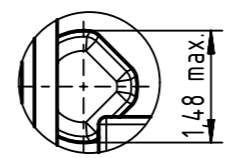
Packaging	
tape & reel with 400 pcs per reel	000
samples	333
Performance level	
PL1 : > 500 mating cycles	2



Vacuum picking area

X (10:1)

Y (10:1)



Further technical information see data sheet

	All rights reserved	Created by SHENGJ	Inspected by WANGSTE	Standardisation 302077	Date 2020-10-30	State Final Release
	Department EL PD	Title har-flex angled hybrid male THR connector		Doc-Key / ECM-Nr. 100789339/UGD/001/B 500000182415		
HARTING Electronics GmbH D-32339 Espelkamp		Type TB	Number 1575XXXX701XXX		Rev. B	Page 1/2

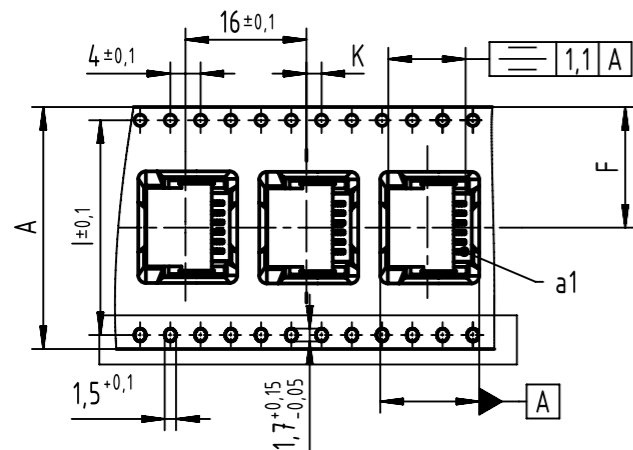


har-flex angled hybrid power male connector

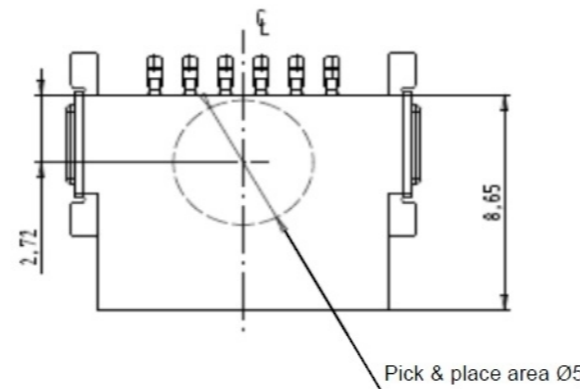


TAPE LAYOUT & PACKAGING

Tape acc. to IEC 60286-3

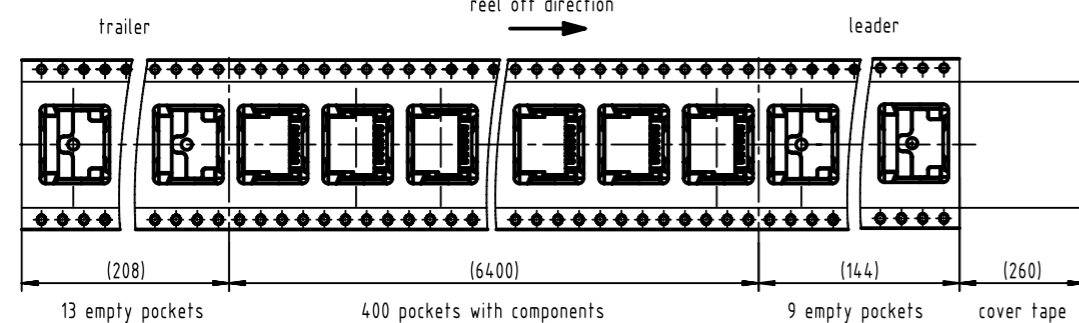
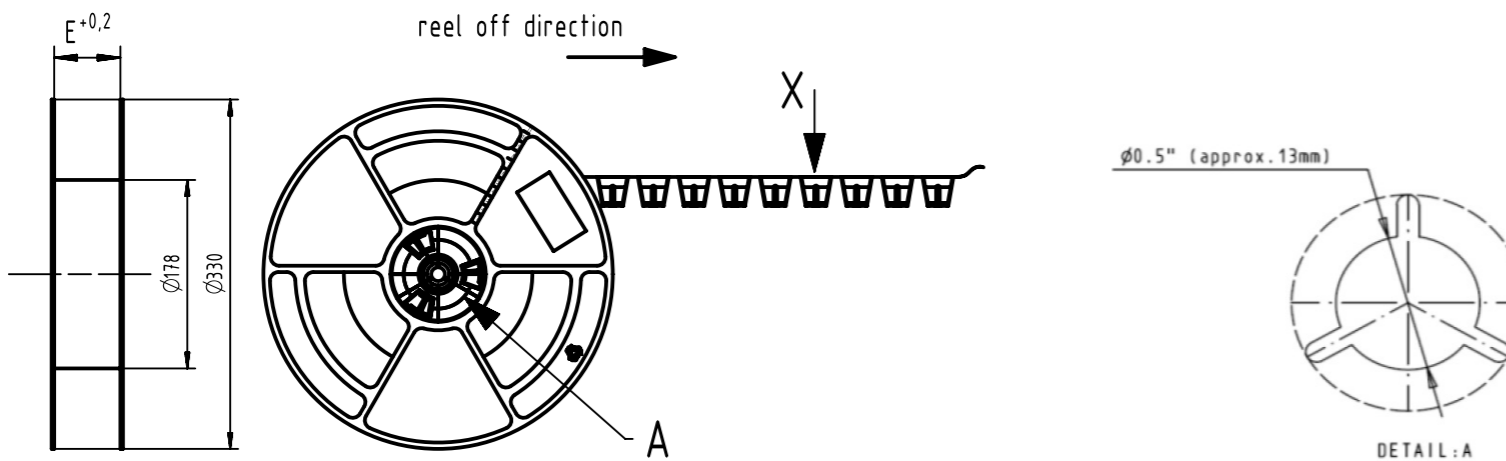


Tape dimensions:	A	F	I	K
Poles 2P+8S	32,0±0,3	14,2±0,1	28,4	2±0,1
Poles 4P+16S	44,0±0,3	20,2±0,1	40,4	2±0,1
Poles 6P+26S	56,0±0,3	26,2±0,1	52,4	2±0,15
Poles 8P+36S	72,0±0,3	34,2±0,1	68,4	2±0,15



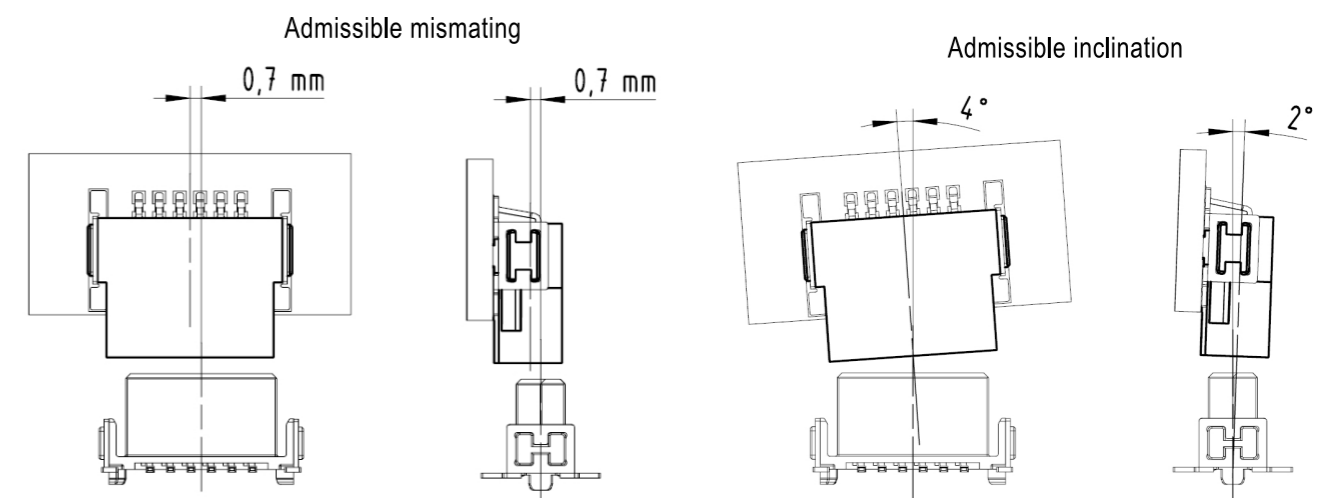
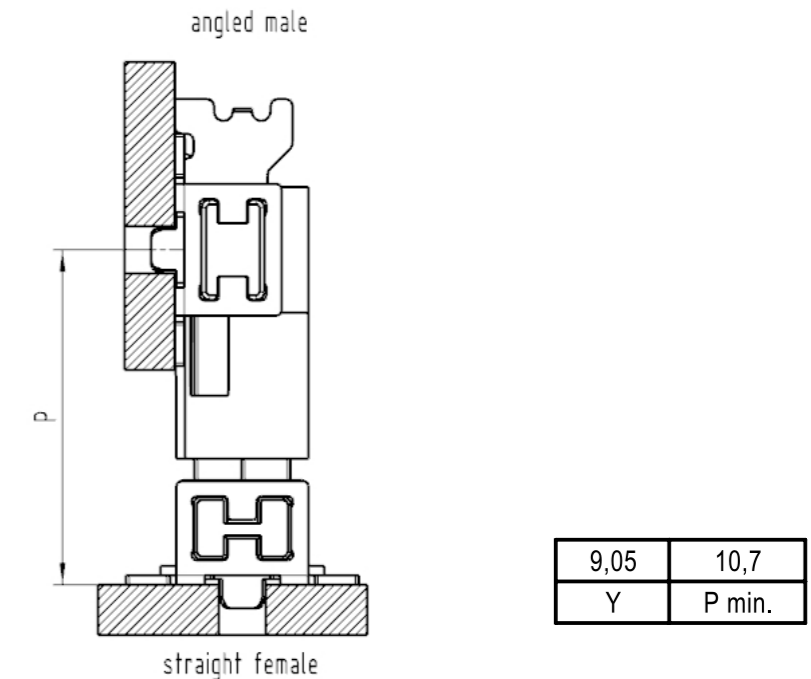
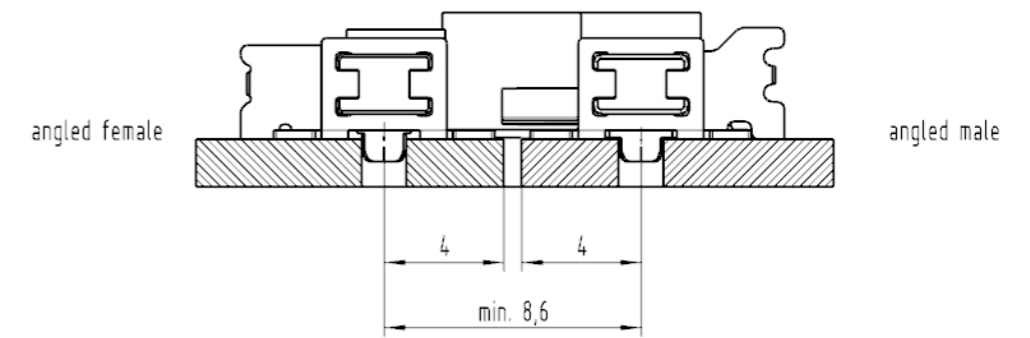
Packaging indices ("XXX" in part number)		
Index	Packaging unit	Packaging
000	400	Tape & reel
333	1	Tape

REEL DIMENSIONS



Reel dimensions:	E
Poles 2P+8S	32,4
Poles 4P+16S	44,4
Poles 6P+26S	56,4
Poles 8P+36S	72,4

APPLICATION INFORMATION



	All Dimensions in mm Original Size DIN A3	Scale 1:1	Free size tol.	Ref. Sub.
	All rights reserved Department EL PD	Created by SHENGJ	Inspected by WANGSTE	Standardisation 302077
HARTING Electronics GmbH D-32339 Espelkamp	Title har-flex angled hybrid male THR connector			Date 2020-10-30
	Type TB	Number 1575XXXX701XXX	State Final Release	Doc-Key / ECM-Nr. 100789339/UGD/001/B 500000182415
			Rev. B	Page 2/2