

- NOTES:**
1. MATERIALS: HOUSING - LIQUID CRYSTAL POLYMER (LCP)
GLASS-FILLED, UL94V-0
TERMINALS - HIGH PERFORMANCE COPPER ALLOY
 2. FINISH: 30 μINCH MIN GOLD IN CONTACT AREA.
SELECTIVE MATTE TIN ON PCB TAILS. NICKEL OVERALL.
 3. REFER TO MOLEX PRODUCT SPECIFICATION PS-76060-999 FOR PERFORMANCE SPECIFICATIONS AND ADDITIONAL PCB INFORMATION.
 4. EACH SIGNAL WAFER CONTAINS 2 COLUMNS OF TERMINALS.
 5. SEE CHART FOR PACKAGING SPECIFICATIONS.
 6. THIS PART CONFORMS TO CLASS B REQUIREMENTS OF COSMETIC SPEC PS-45499-002.
 7. REFER TO MOLEX SALES DRAWING SD-170335-0002 FOR THE MATING HEADERS
 8. REFER TO MOLEX ROUTING PCB ROUTING GUIDE AS-76060-990 FOR ANTIPAD AND ROUTING RECOMMENDATIONS.
 9. GROUND PATHS ARE NOT DISCRETE WITHIN CONNECTOR DUE TO PRESENCE OF PLUS CLIP.
 10. PART NUMBER 170390-3130 SHOWN ON DRAWING. KEYING FEATURES WILL CHANGE WITH COLUMN SIZE.
 11. FOR SCREW PART NUMBER AND FUNCTIONAL BOARD THICKNESS REFER TO CHART ON SHEET 2. IN ORDER TO ACCOMMODATE ALTERNATE BOARD THICKNESSES PLEASE CONTACT MOLEX.
 12. MARKING: LOCATED APPROXIMATELY AS SHOWN. PART NUMBER AND DATE CODE.

VERTICAL RECEPTACLE HOLE PATTERN (CONNECTOR SIDE)

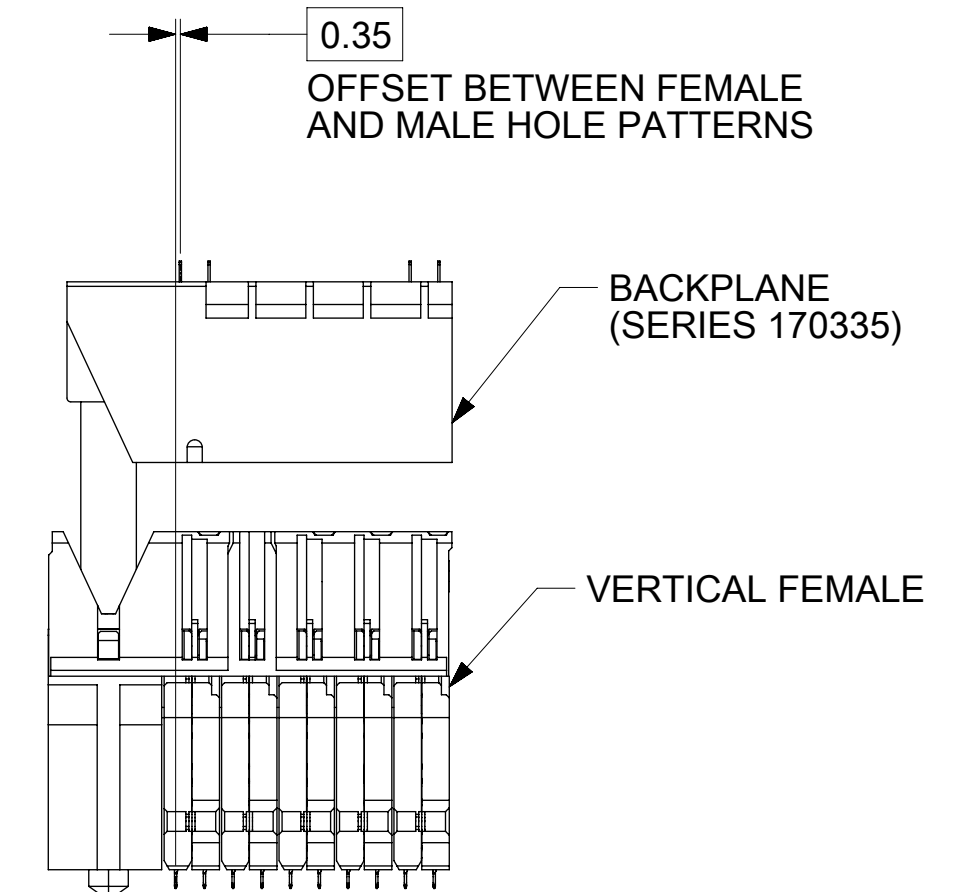
THIS DRAWING CONTAINS INFORMATION THAT IS PROPRIETARY TO MOLEX ELECTRONIC TECHNOLOGIES, LLC AND SHOULD NOT BE USED WITHOUT WRITTEN PERMISSION									
DIMENSION UNITS		SCALE		CURRENT REV DESC: ADD PN1703903*03					
MM		NTS		<p>IMPACT 4-PAIR 85-OHM LEFT GUIDE MEZZANINE SALES DRAWING</p> <p>PRODUCT CUSTOMER DRAWING</p> <p>DOCUMENT NUMBER: SD-170390-0002 DOC TYPE: PSD DOC PART: 001 REVISION: B4</p> <p>MATERIAL NUMBER: SEE CHART CUSTOMER: GENERAL MARKET SHEET NUMBER: 1 OF 2</p>					
GENERAL TOLERANCES (UNLESS SPECIFIED)									
ANGULAR TOL ± 0.5°									
4 PLACES ±									
3 PLACES ±									
2 PLACES ± 0.13									
1 PLACE ± 0.25									
0 PLACES ±				EC NO: 620149		DRWN: SKRISHNAMURT 2019/06/04		CHK'D: SHONG 2019/08/16	
DRAFT WHERE APPLICABLE MUST REMAIN WITHIN DIMENSIONS				THIRD ANGLE PROJECTION		DRAWING: C-SIZE		SERIES: 170390	
INITIAL REVISION:				DRWN: JJONIAK 2011/01/20		APPR: SHONG 2019/08/16		APPR: JLAURX 2013/04/05	

PART NUMBER CHART

MATERIAL NUMBER	# OF COLUMNS	# OF DIFF PAIRS	DIM "A" MAX	DIM "B"	DIM "C"	DIM "D"	PACKAGING SPEC	SCREW P/N	FUNCTIONAL BOARD THICKNESS	18mm STACK HEIGHT (DIM H)
170390-3*03	6	24	19.0	9.5	15.36	19.41	PK-70873-4001	73726-0005	2.0mm TO 3.0mm	
170390-3*08	8	32	22.8	13.3						
170390-3*00	10	40	26.6	17.1						
170390-3*02	12	48	30.4	20.9						
170390-3*07	14	56	34.2	24.7						
170390-3*06	16	64	38.0	28.5						
170390-3*09	18	72	41.8	32.3						

MATERIAL NUMBER	# OF COLUMNS	# OF DIFF PAIRS	DIM "A" MAX	DIM "B"	DIM "C"	DIM "D"	PACKAGING SPEC	SCREW P/N	FUNCTIONAL BOARD THICKNESS	25mm STACK HEIGHT (DIM H)
170390-3*28	8	32	22.8	13.3	22.36	19.41	PK-70873-4002	73726-0000	1.0mm TO 5.0mm	
170390-3*20	10	40	26.6	17.1						
170390-3*22	12	48	30.4	20.9						
170390-3*27	14	56	34.2	24.7						
170390-3*26	16	64	38.0	28.5						
170390-3*29	18	72	41.8	32.3						

MATERIAL NUMBER	# OF COLUMNS	# OF DIFF PAIRS	DIM "A" MAX	DIM "B"	DIM "C"	DIM "D"	PACKAGING SPEC	SCREW P/N	FUNCTIONAL BOARD THICKNESS	37mm STACK HEIGHT (DIM H)
170390-3*38	8	32	22.8	13.3	34.36	20.65	PK-70873-0044	73726-0000	1.0mm TO 5.0mm	
170390-3*30	10	40	26.6	17.1						
170390-3*32	12	48	30.4	20.9						
170390-3*37	14	56	34.2	24.7						
170390-3*36	16	64	38.0	28.5						
170390-3*39	18	72	41.8	32.3						



PART NUMBER LOGIC

170390-****

MODULE AND TAIL PLATING TYPE
3 = GUIDE LEFT, MATTE TIN

KEY ORIENTATION
0 = NO KEY
1 = A 5 = E
2 = B 6 = F
3 = C 7 = G
4 = D 8 = H

OF COLUMNS
3 = 6 COL
8 = 8 COL
0 = 10 COL
2 = 12 COL
7 = 14 COL
6 = 16 COL
9 = 18 COL

STACK HEIGHT (H)
0 = 18mm
2 = 25mm
3 = 37mm

THIS DRAWING CONTAINS INFORMATION THAT IS PROPRIETARY TO MOLEX ELECTRONIC TECHNOLOGIES, LLC AND SHOULD NOT BE USED WITHOUT WRITTEN PERMISSION											
DIMENSION UNITS		SCALE		CURRENT REV DESC: ADD PN1703903*03							
MM		NTS									
GENERAL TOLERANCES (UNLESS SPECIFIED)											
ANGULAR TOL		± 0.5°		EC NO: 620149				2019/06/04			
4 PLACES		±		DRWN: SKRISHNAMURT				2019/08/16			
3 PLACES		±		CHK'D: SHONG				2019/08/16			
2 PLACES		± 0.13		APPR: SHONG				2019/08/16			
1 PLACE		± 0.25		INITIAL REVISION:				2011/01/20			
0 PLACES		±		DRWN: JJONIAK				2013/04/05			
DRAFT WHERE APPLICABLE MUST REMAIN WITHIN DIMENSIONS		THIRD ANGLE PROJECTION		DRAWING		SERIES		MATERIAL NUMBER		CUSTOMER	
				C-SIZE		170390		SEE CHART		GENERAL MARKET	
DOCUMENT STATUS		P1		RELEASE DATE		2019/08/16 08:02:37		DOCUMENT NUMBER		DOC TYPE DOC PART REVISION	
								SD-170390-0002		PSD 001 B4	
								SHEET NUMBER		2 OF 2	