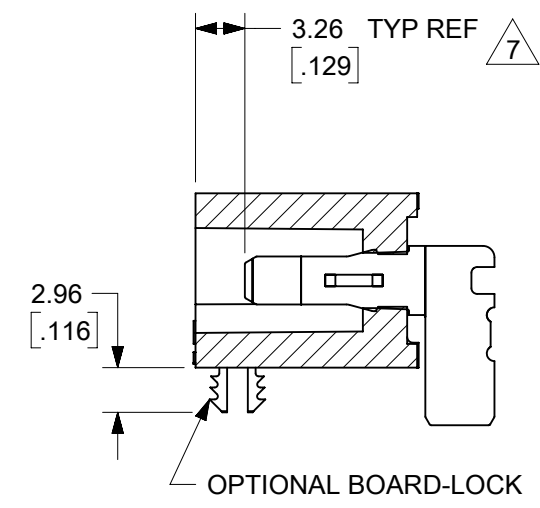
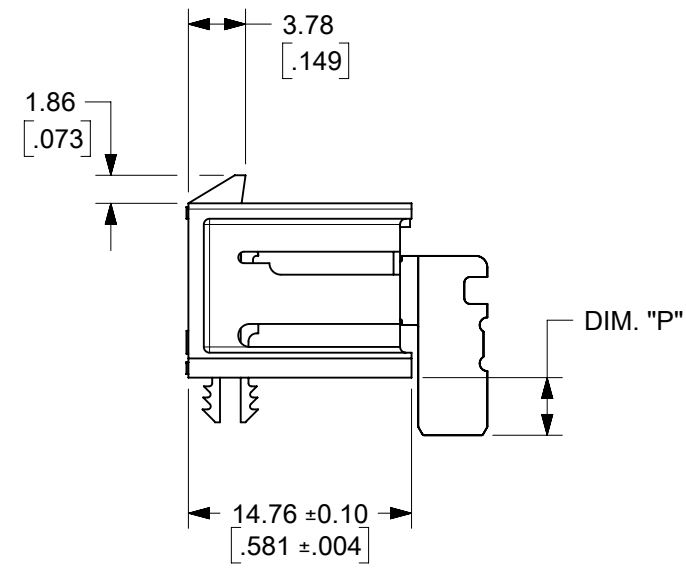
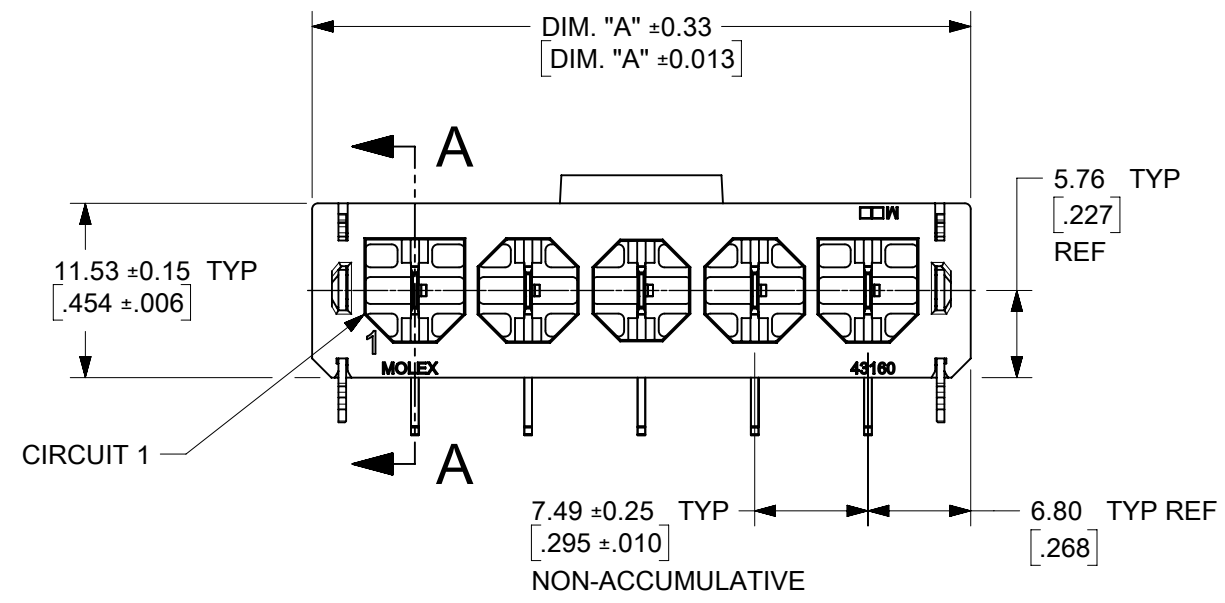
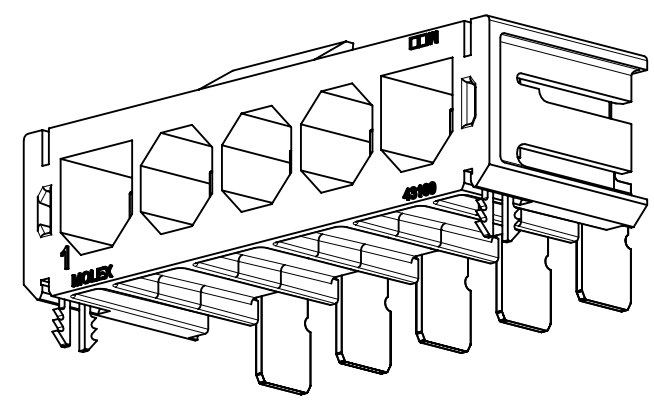
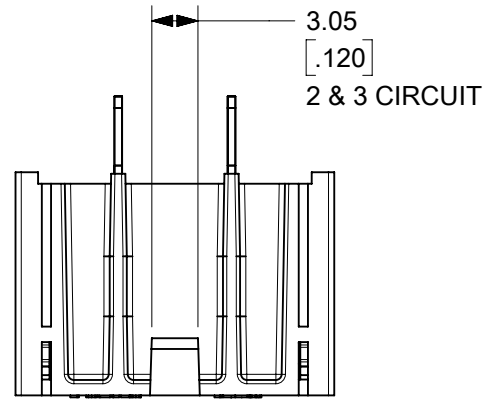
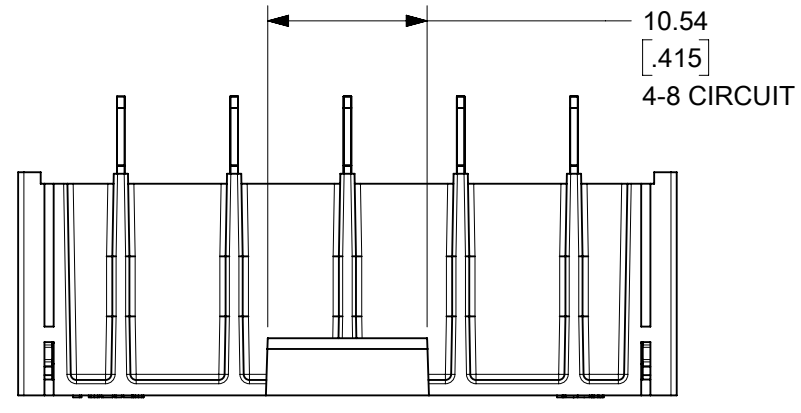


CIRCUIT SIZE	DIM. "A"
2	$\frac{21.08}{.830}$
3	$\frac{28.58}{1.125}$
4	$\frac{36.07}{1.420}$
5	$\frac{43.56}{1.715}$
6	$\frac{51.05}{2.010}$
8	$\frac{66.04}{2.600}$



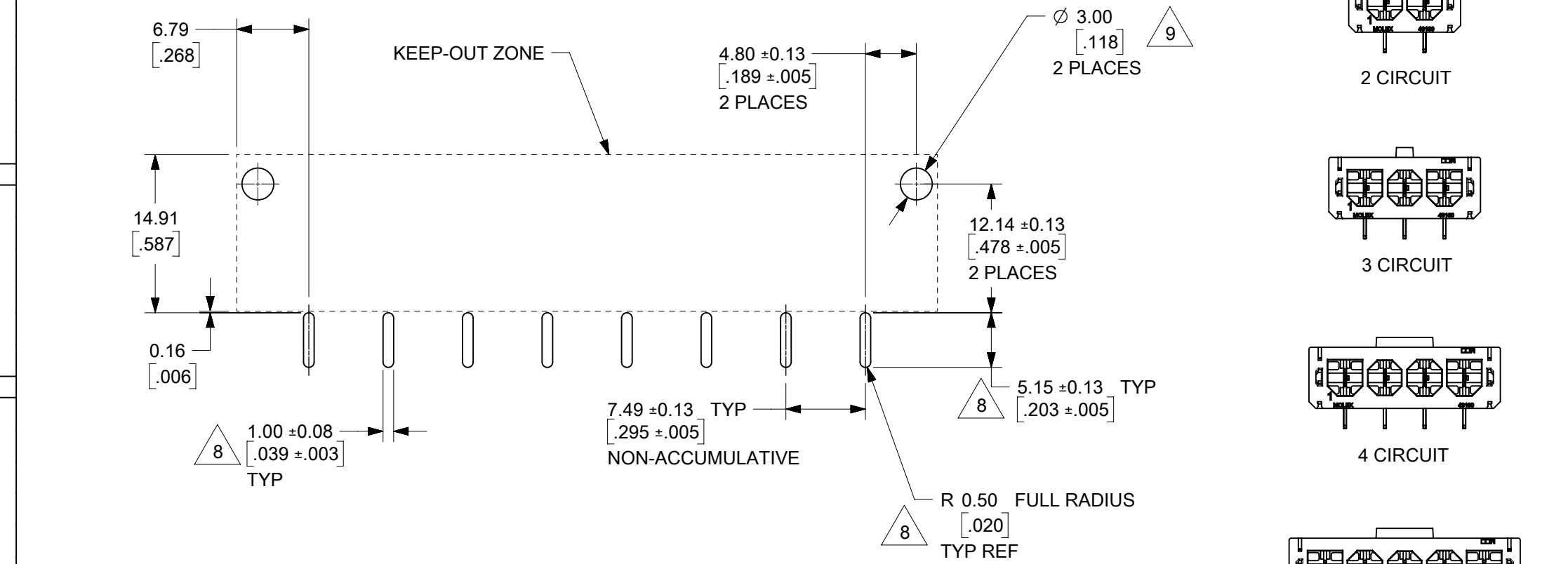
SECTION A-A

- NOTES:
- MATERIALS
HOUSING: GLASS-FILLED, LIQUID CRYSTAL POLYMER (LCP), UL94V-0, LOW-HALOGEN, GLOW-WIRE CAPABLE, COLOR: BLACK
TERMINALS: ETP COPPER
 - FINISHES:
0.00254/.000100 MIN SELECT SILVER AND 0.00254/.000100 MIN SELECT MATTE TIN OVER NICKEL OVERALL
 - PRODUCT SPECIFICATION: PS-171825-001
 - PACKAGING INFORMATION: PK-43789-001 (TRAY PACK)
 - MATES WITH:
171825 FEMALE CRIMP TERMINALS
172672 RECEPTACLE HOUSINGS
 - THIS PART CONFORMS TO CLASS B REQUIREMENTS OF COSMETIC SPEC PS-45499-002.
 - HEADERS ARE DESIGNED TO MINIMIZE ACCESSIBILITY TO LIVE PARTS, PER UL 1977 AND UL 60950 FINGER PROBE REQUIREMENTS.
 - SLOTTED VIAS, PLATED THRU. MOLEX RECOMMENDS ANNULAR RING DESIGN PARAMETERS AS SPECIFIED IN IPC-2221, GENERIC STANDARD ON PRINTED BOARD DESIGN.
 - 3.00/1.18 MOUNTING-HOLES (NON-PLATED) FOR OPTIONAL BOARD-LOCKS SHOWN.

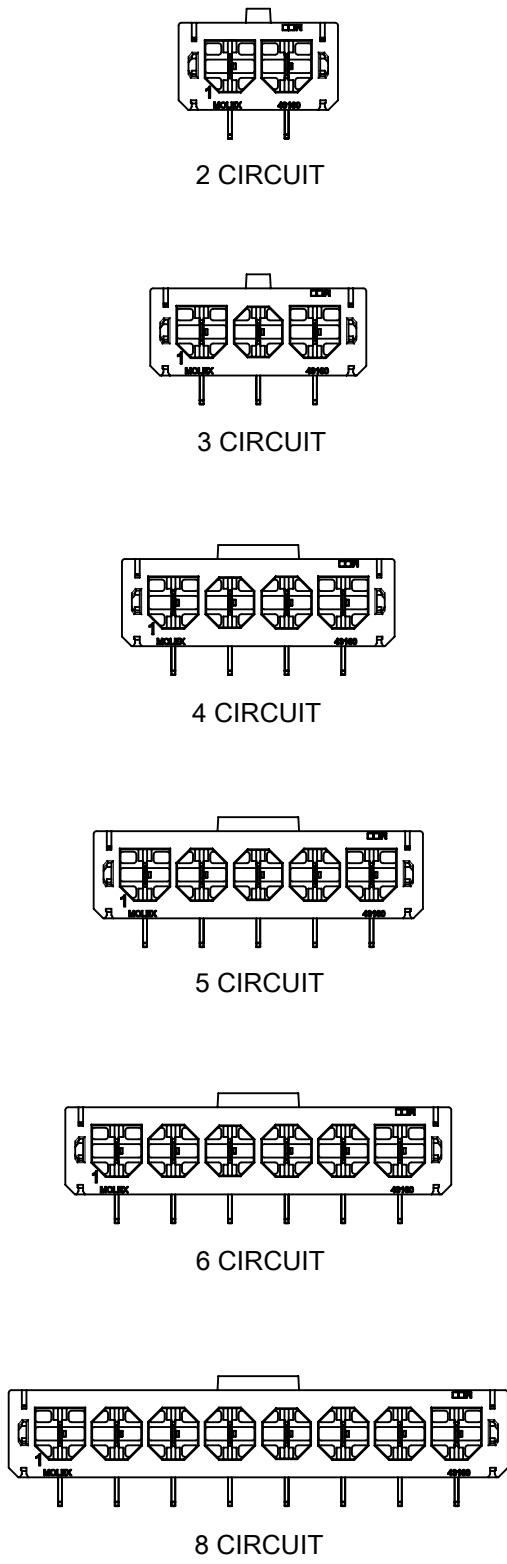
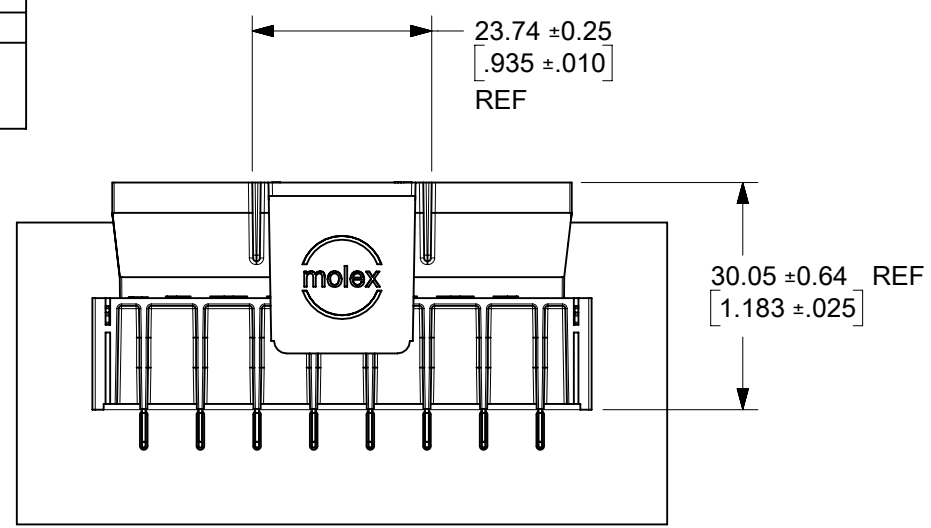
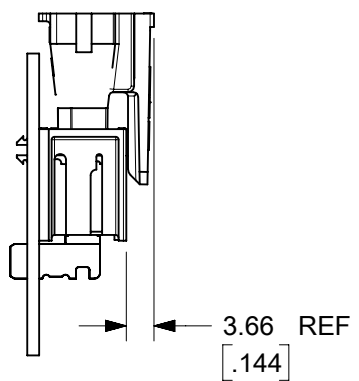
FUNCTIONAL SYMBOLS		THIS DRAWING CONTAINS INFORMATION THAT IS PROPRIETARY TO MOLEX ELECTRONIC TECHNOLOGIES, LLC AND SHOULD NOT BE USED WITHOUT WRITTEN PERMISSION		CURRENT REV DESC: ADD 172043-0209		molex	
$\frac{F}{A} = 0$	DIMENSION UNITS	SCALE	MM/INCH		2:1		
$\frac{E}{E} = 0$	GENERAL TOLERANCES (UNLESS SPECIFIED)		MM		INCH	PRODUCT CUSTOMER DRAWING	
$\frac{E}{D} = 0$	4 PLACES	±	±			DOCUMENT NUMBER	
	3 PLACES	±	±	0.005		SD-172043-001	
	2 PLACES	±	0.13	±	0.01	DOC TYPE	DOC PART
	1 PLACE	±	0.25	±		REVISION	
	0 PLACES	±	±			PSD	001
	ANGULAR TOL		± 0.5°			C2	
DRAFT WHERE APPLICABLE MUST REMAIN WITHIN DIMENSIONS		THIRD ANGLE PROJECTION	DRAWING	SERIES	MATERIAL NUMBER	CUSTOMER	SHEET NUMBER
			B-SIZE	172043	SEE CHART	GENERAL MARKET	1 OF 2

DOCUMENT STATUS	P1	RELEASE DATE	2022/07/01	22:19:46
-----------------	----	--------------	------------	----------

ASSEMBLY PART NO.	CIRCUITS	DIM. 'P' ± $\frac{0.51}{.020}$	BOARD LOCK
172043-0201	2	3.81/(.150) (SHORT TAIL)	NO
172043-0301	3		
172043-0401	4		
172043-0501	5		
172043-0601	6		
172043-0801	8		
172043-0202	2	3.81/(.150) (SHORT TAIL)	YES
172043-0302	3		
172043-0402	4		
172043-0502	5		
172043-0602	6		
172043-0802	8		
172043-0205	2	5.33/(.210) (LONG TAIL)	NO
172043-0305	3		
172043-0405	4		
172043-0505	5		
172043-0605	6		
172043-0805	8		
172043-0206	2	5.33/(.210) (LONG TAIL)	YES
172043-0306	3		
172043-0406	4		
172043-0506	5		
172043-0606	6		
172043-0806	8		
172043-0209	2	2.70/(.106) (EXTRA SHORT)	YES



RECOMMENDED P.C. BOARD LAYOUT
FOR RIGHT ANGLE SUPER-SABRE HEADERS
(8 CIRCUIT SHOWN)
SEE NOTES 8 & 9



FUNCTIONAL SYMBOLS										THIS DRAWING CONTAINS INFORMATION THAT IS PROPRIETARY TO MOLEX ELECTRONIC TECHNOLOGIES, LLC AND SHOULD NOT BE USED WITHOUT WRITTEN PERMISSION															
DIMENSION UNITS					SCALE					CURRENT REV DESC: ADD 172043-0209															
MM/INCH					1:1					molex SUPER-SABRE RIGHT-ANGLE HEADER ASSY SINGLE-ROW, FINGER-PROOF PRODUCT CUSTOMER DRAWING DOCUMENT NUMBER: SD-172043-001 DOC TYPE: PSD DOC PART: 001 REVISION: C2 MATERIAL NUMBER: SEE CHART CUSTOMER: GENERAL MARKET SHEET NUMBER: 2 OF 2															
GENERAL TOLERANCES (UNLESS SPECIFIED)																									
4 PLACES ±		MM		INCH		3 PLACES ±		± 0.005												EC NO: 702587					
2 PLACES ±		0.13		± 0.01		DRWN: MKIPPER														2022/03/04					
1 PLACE ±		0.25		±		CHKD: MKIPPER														2022/05/09					
DIVISIONAL SYMBOLS										APPR: FSMITH															
0 PLACES ±										INITIAL REVISION:															
ANGULAR TOL ± 0.5°										DRWN: BANDERSON															
DRAFT WHERE APPLICABLE MUST REMAIN WITHIN DIMENSIONS										APPR: BANDERSON															
THIRD ANGLE PROJECTION					DRAWING					SERIES					MATERIAL NUMBER										
B-SIZE					172043					SEE CHART					GENERAL MARKET										