



TE Connectivity

Product Change Notification: PCN-23-163686

PCN Date: 13-JAN-23

TE would like to inform you of the following change(s) to the listed TE Connectivity Product. In case of any further questions about this change(s), please contact your TE Connectivity Sales Engineer. Affected part, drawing and/or specification numbers are listed on the attached sheet(s).

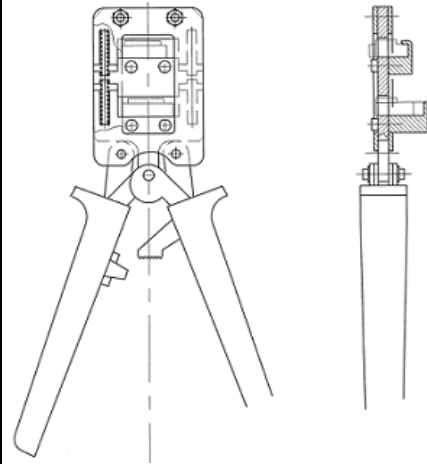
General Product Description:

1729940-1 is a hand tool for RITS connector.

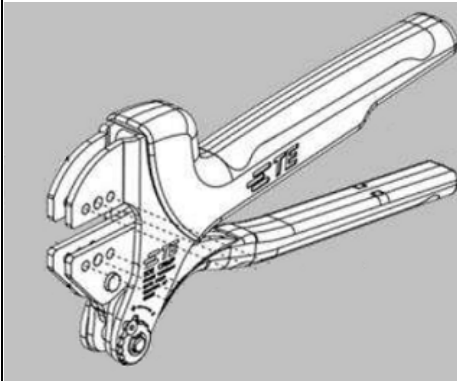
Description of Changes

The listed part numbers are being discontinued and no longer available. Please consult with your local customer sales representative for further details.

1729940-1 RITS HAND TOOL



SOKET: 2432675-1 SDE RITS SOCKET ASSY, PLUG: 2432945-1 SDE RITS PLUG ASSY



Reason for Changes:

Product Discontinuance

PCN Attributes:

Product Category: Application Tooling	Kind of Change: Status Change
Change Feature: Discontinuance	Potential Customer Impact: No Customer Impact

Remarks:

Estimated Dates:

Last Order Date (Obsolete Parts Only): 16-JAN-2023	First Ship Date of Changed Items (Changed Parts Only):
Last Ship Date of Changed Items (Obsolete Parts Only): 16-JAN-2023	Last Date for Mixed Shipments: (Changed Parts Only): No Mixed Shipments
Effectivity Date:	Date of First Samples:

Part Number(s) being Modified:

Part Number	Part Discontinued per PCN	Customer Drawing	Customer Part Number	Alias Part Number(s)	Substitute Part Number	Substitute Alias Part Number(s)	Description Of Difference
1729940-1	YES						

Part Number(s) being Modified:

Part Number	Part Discontinued per PCN	Customer Drawing	Customer Part Number	Alias Part Number(s)	Substitute Part Number	Substitute Alias Part Number(s)	Description Of Difference
1729940-1	YES						