

1SNK508911R0000 ✓ ACTIVE

ENTRELEC | ENTRELEC SNK

TE Internal #: 1SNK508911R0000

Terminal Block & Strip Insulating Accessories, End Section Cover,
Used With Screw Clamp Terminal Blocks, -67 – 230 °F [-55 – 110 °C],
ENTRELEC SNK

[View on TE.com >](#)



Connectors > Terminal Blocks & Strips > Terminal Block & Strip Accessories > Terminal Block & Strip Insulating Accessories



Insulating Accessory Type: **End Section Cover**

Compatible With Block or Strip Type: **Screw Clamp Terminal Blocks**

Operating Temperature Range: **-55 – 110 °C [-67 – 230 °F]**

Features

Product Type Features

Insulating Accessory Type	End Section Cover
---------------------------	-------------------

Body Features

Product Weight	5.98 g[.211 oz]
Primary Product Material	Polyamide
Primary Product Color	Dark Gray

Dimensions

Product Spacing	2.5 mm[.098 in]
Product Depth	63.1 mm[2.484 in]
Product Height	84.5 mm[3.327 in]

Usage Conditions

Installation Temperature Range	-5 – 40 °C[23 – 104 °F]
Operating Temperature Range	-55 – 110 °C[-67 – 230 °F]

Operation/Application

Compatible With Block or Strip Type	Screw Clamp Terminal Blocks
-------------------------------------	-----------------------------

Industry Standards



IP Rating	IP20
UL Flammability Rating	UL 94V-0

Product Compliance

[For compliance documentation, visit the product page on TE.com>](#)

EU RoHS Directive 2011/65/EU	Compliant
EU ELV Directive 2000/53/EC	Compliant
China RoHS 2 Directive MIIT Order No 32, 2016	No Restricted Materials Above Threshold
EU REACH Regulation (EC) No. 1907/2006	Current ECHA Candidate List: JAN 2023 (233) Candidate List Declared Against: JAN 2021 (211) Does not contain REACH SVHC
Halogen Content	Not Yet Reviewed for halogen content
Solder Process Capability	Not reviewed for solder process capability

Product Compliance Disclaimer

This information is provided based on reasonable inquiry of our suppliers and represents our current actual knowledge based on the information they provided. This information is subject to change. The part numbers that TE has identified as EU RoHS compliant have a maximum concentration of 0.1% by weight in homogenous materials for lead, hexavalent chromium, mercury, PBB, PBDE, DBP, BBP, DEHP, DIBP, and 0.01% for cadmium, or qualify for an exemption to these limits as defined in the Annexes of Directive 2011/65/EU (RoHS2). Finished electrical and electronic equipment products will be CE marked as required by Directive 2011/65/EU. Components may not be CE marked. Additionally, the part numbers that TE has identified as EU ELV compliant have a maximum concentration of 0.1% by weight in homogenous materials for lead, hexavalent chromium, and mercury, and 0.01% for cadmium, or qualify for an exemption to these limits as defined in the Annexes of Directive 2000/53/EC (ELV). Regarding the REACH Regulation, the information TE provides on SVHC in articles for this part number is based on the latest European Chemicals Agency (ECHA) 'Guidance on requirements for substances in articles' posted at this URL: <https://echa.europa.eu/guidance-documents/guidance-on-reach>

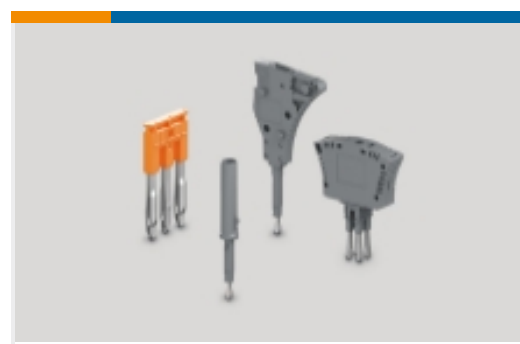
Compatible Parts



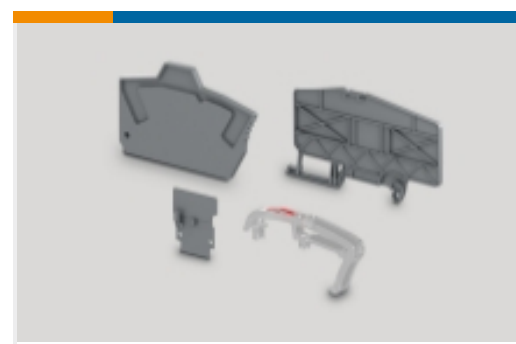
Also in the Series | **ENTRELEC SNK**



Modular Terminal Blocks(320)

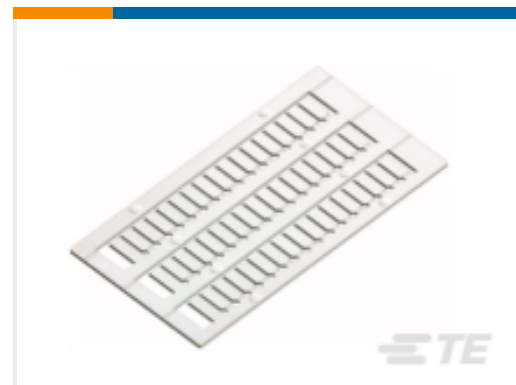
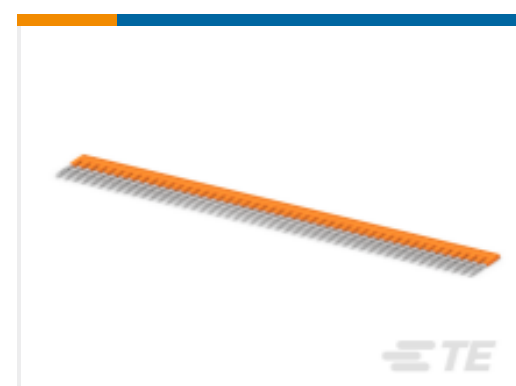
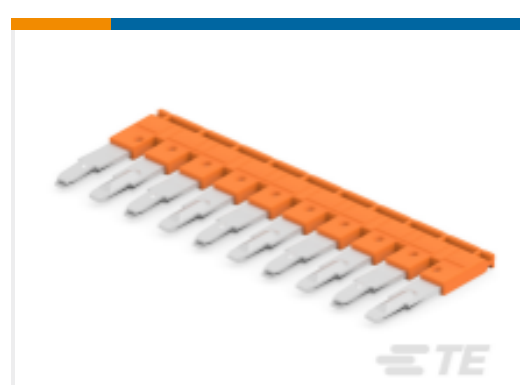


Terminal Block & Strip Conducting Accessories(67)



Terminal Block & Strip Insulating Accessories(31)

Customers Also Bought

TE Part #1SNK505010R0000
ZS4TE Part #1SNK505960R0000
ES4-D2TE Part #1SNK140000R0000
MC512TE Part #1SNK160012R0000
MC812PA 1->10 (x10) VerticalTE Part #1SNK900001R0000
BAM4TE Part #1SNK900630R0000
MCLHTE Part #1SNK905304R0000
JB5-4TE Part #1SNK905350R0000
JB5-50TE Part #1SNK906310R0000
JB6-10TE Part #1SNK908310R0000
JB8-10

Documents

CAD Files

[3D PDF](#)

[3D](#)

Customer View Model

[ENG_CVM_CVM_1SNK508911R0000_A.2d_dxf.zip](#)

English

Customer View Model

[ENG_CVM_CVM_1SNK508911R0000_A.3d_igs.zip](#)

1SNK508911R0000

Terminal Block & Strip Insulating Accessories, End Section Cover, Used With Screw
Clamp Terminal Blocks, -67 – 230 °F [-55 – 110 °C], ENTRELEC SNK



English

Customer View Model

[ENG_CVM_CVM_1SNK508911R0000_A.3d_stp.zip](#)

English

By downloading the CAD file I accept and agree to the [Terms and Conditions](#) of use.

Datasheets & Catalog Pages

[ENTRELEC Terminal Block - Master Catalog](#)

[ENTRELEC Terminal Block - Master Catalog](#)

English

[ES4-D2-SF1](#)

English

[SNK SERIES TERMINAL BLOCKS](#)

English

[ENTRELEC Terminal Blocks Catalogue \(RUS\)](#)