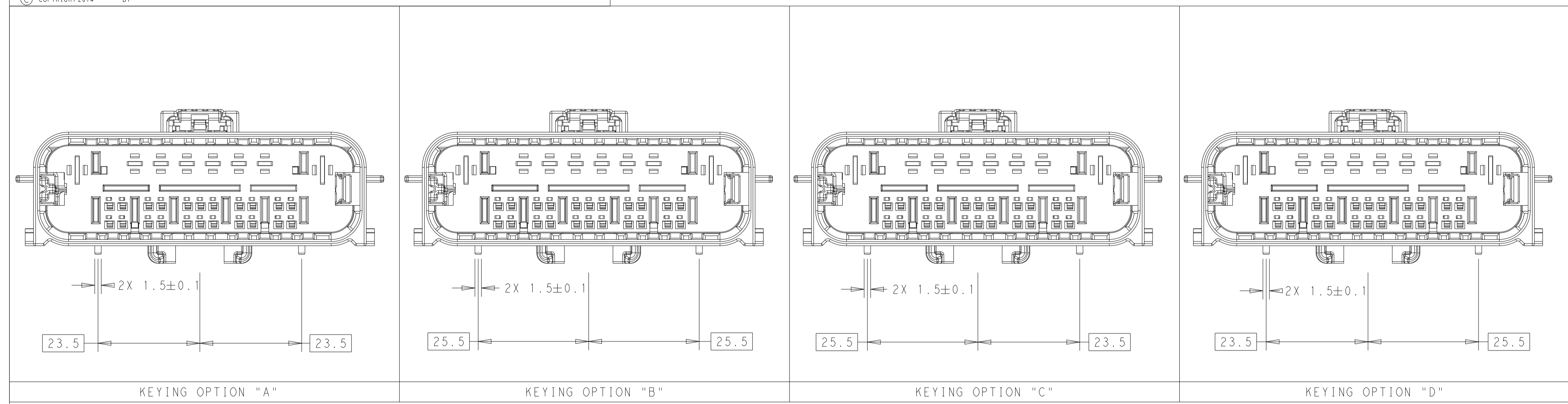
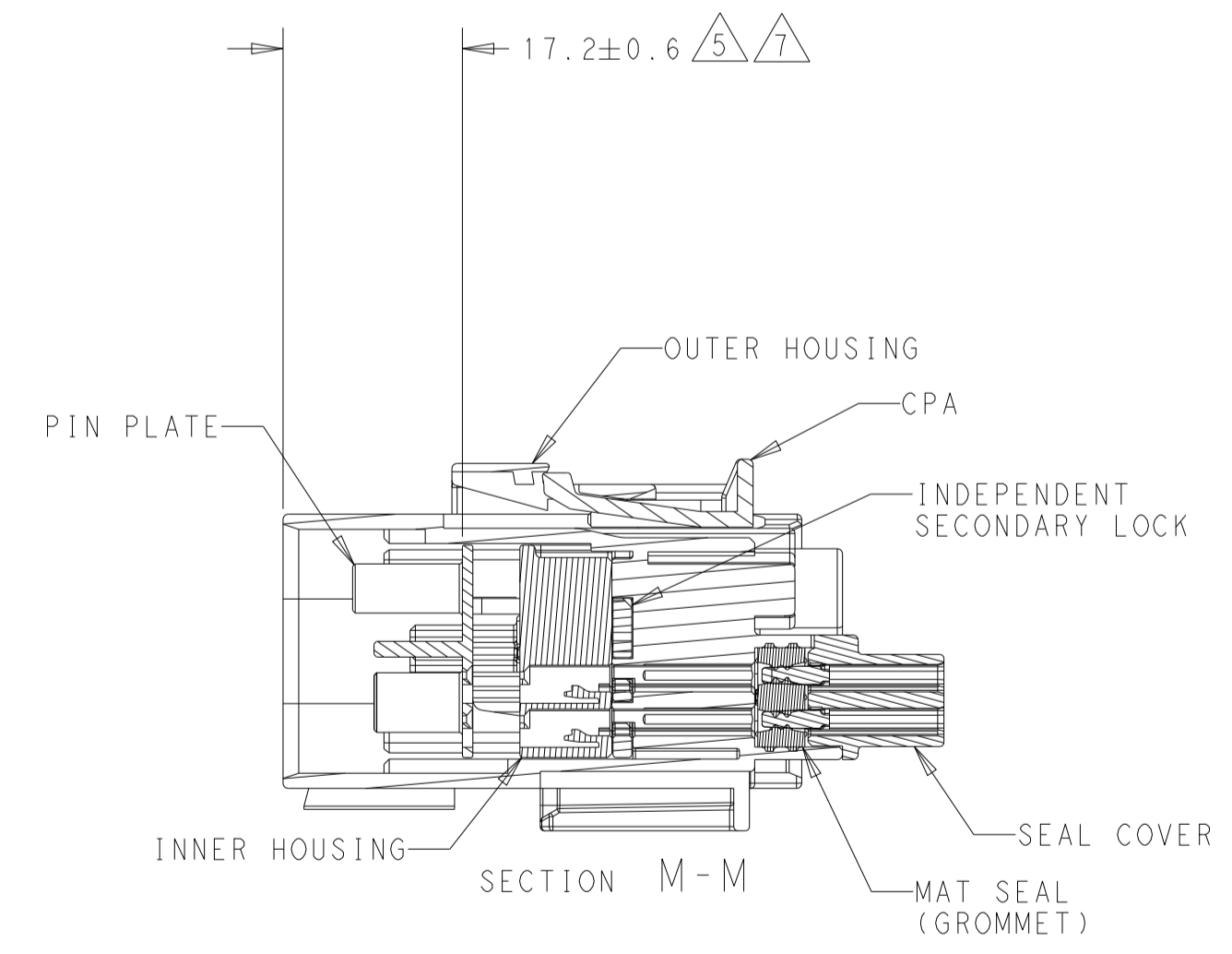
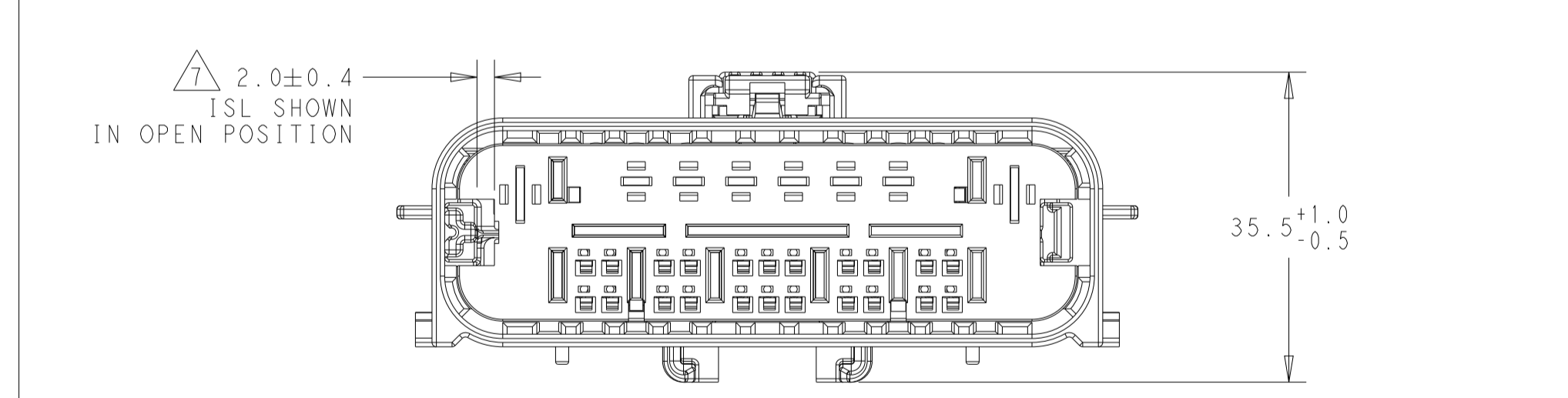
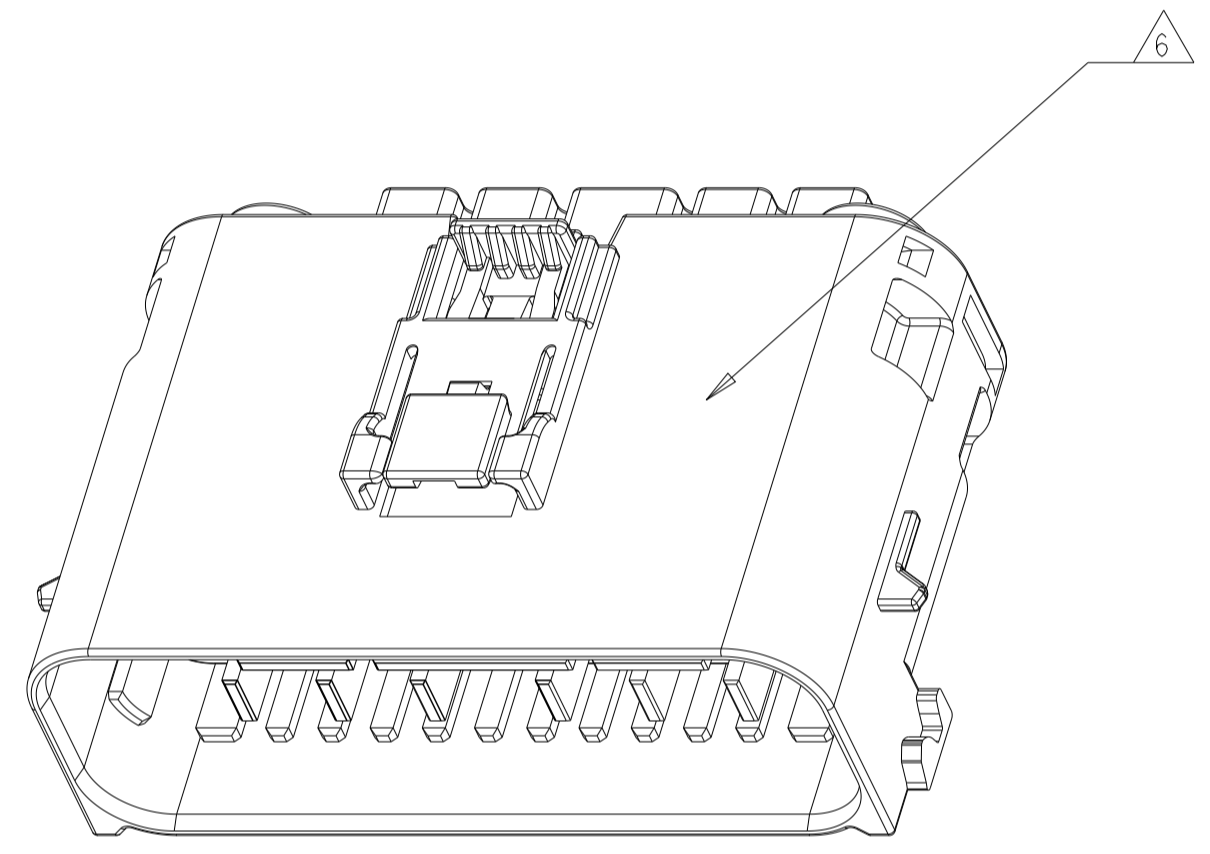
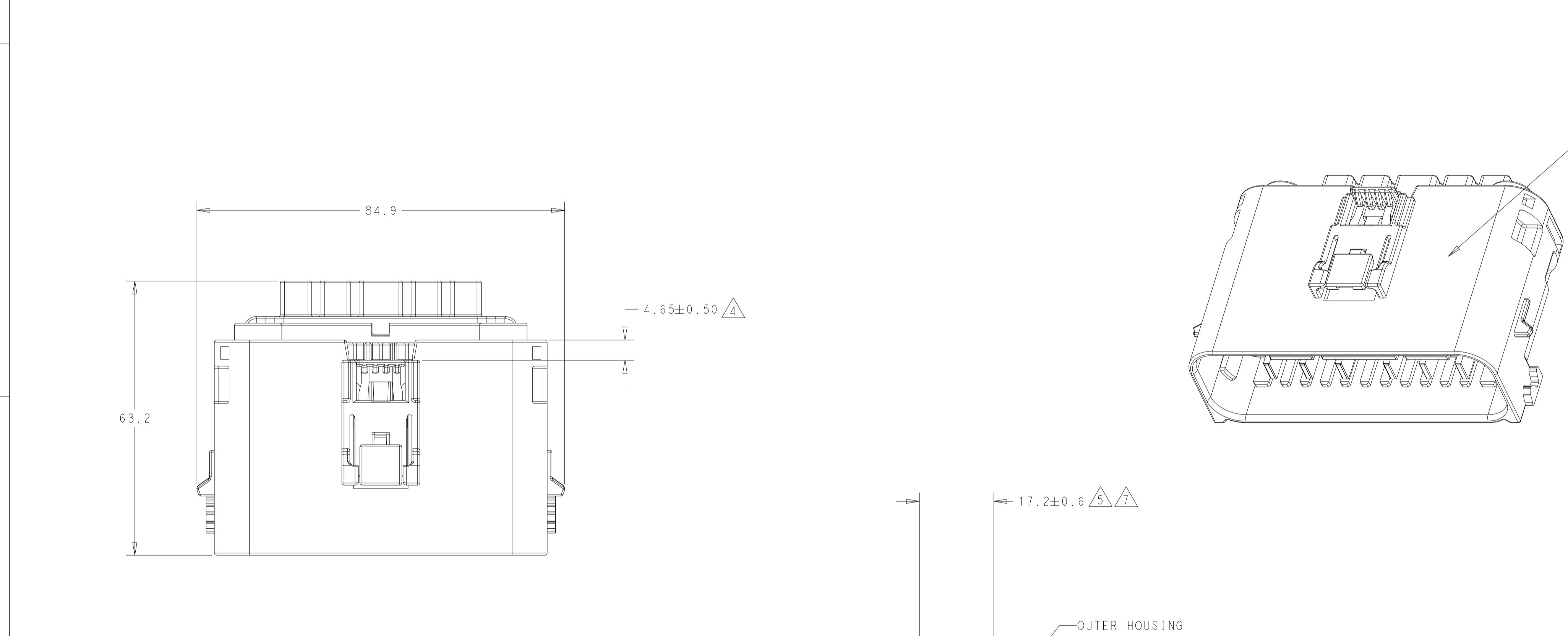


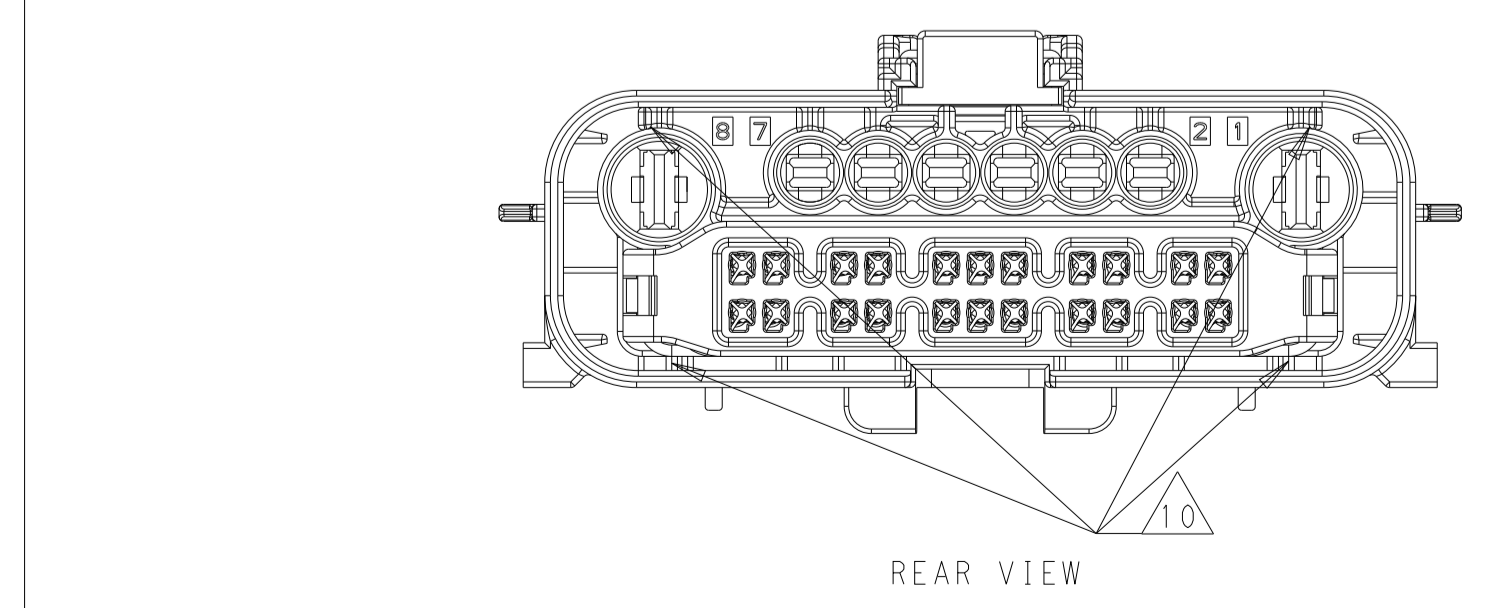
REVISIONS				
P	LTN	DESCRIPTION	DATE	OWN APVD
C10		REV PER ECN-22-146550	01APR2022	CN GK
C11		REV PER ECN-22-187361	29NOV2022	CN GK
C12		REV PER ECN-23-201432	03MAR2023	CN GK
C13		REV PER ECN-23-213135	22MAY2023	CN GK



- NOTES:
- 1 MATERIAL:
 INNER HOUSING-PBT, 30% GLASS FILLED, BLACK
 OUTER HOUSING-NYLON 6/6, 35% GLASS FILLED, SEE TABLE FOR COLOR
 MAT SEAL-SILICONE RUBBER, INHERENTLY LUBRICATED, LT BLUE
 SEAL COVER-PBT, 15% GLASS FILLED, BLACK
 ISL-PBT, 30% GLASS FILLED, LT GRAY
 PIN PLATE-PBT, 15% GLASS FILLED, WHITE
 CPA-PBT, 15% GLASS FILLED, RED
 2. 2301461-1 SHOWN IN GENERAL VIEWS.
 - 3 ISL SHOWN IN PRE-SET, SHIPPING POSITION.
 DIMENSION SHOWN FROM ISL TO INNER HOUSING
 - 4 CPA SHOWN IN PRE-SET, SHIPPING POSITION.
 - 5 PIN PLATE SHOWN IN PRE-SET, SHIPPING POSITION.
 - 6 JULIAN DATE CODE (YYDDD HH:MM:SS) AND ASSEMBLY PART NUMBER (XXXXXX-X) MARKED IN APPROXIMATE LOCATION.
 - 7 IF SEATED IN SHIPPING. SEE INSTRUCTION SHEET 408-32159 FOR INSTRUCTIONS TO RETURN TO SHIPPING POSITION.
 8. MATES WITH TE PLUG ASSEMBLY: 2301462-X
 9. CLIP SLOT PER EWCAP-005-23, 23mm CLIP SLOT
 - 10 VOID CORE, CONSTRUCTION OPTIONAL



APPLICABLE COMPONENTS				
TERMINALS				
CIRCUITS	TERMINAL	MIN WIRE SIZE	MAX WIRE SIZE	PART #
1 AND 8	MCP 6.3	0.5mm ²	1.0mm ²	1-962917-1
		>1.0mm ²	2.5mm ²	1-962918-1
		4.0mm ²		1-962919-1
2 - 7	MCP 2.8	0.5mm ²	1.0mm ²	1-962915-1
		>1.0mm ²	2.5mm ²	1-962916-1
9 - 30	MCON 1.2	0.35mm ²		1718348-1
		0.5mm ²	0.75mm ²	1718350-1
WIRE SEALS				
CIRCUITS	TERMINAL	MIN WIRE O.D.	MAX WIRE O.D.	PART #
1 AND 8	MCP 6.3	1.4	2.0	2177018-1
		2.0	2.7	1394511-1
		2.7	3.0	1823111-1
		3.4	3.7	1394512-1
2 - 7	MCP 2.8	4.0	4.5	1719043-1
		1.4	2.0	828904-1
		2.2	3.0	828905-1
CAVITY PLUGS				
CIRCUITS	TERMINAL	PART #		
1 AND 8	MCP 6.3	967652-1		
2 - 7	MCP 2.8	828922-1		
9 - 30	MCON 1.2	2304518-1		



THIS DRAWING IS A CONTROLLED DOCUMENT. OWN: R. HETRICK 18APR2016
 CHK: R. HETRICK 18APR2016
 APVD: R. HETRICK 18APR2016

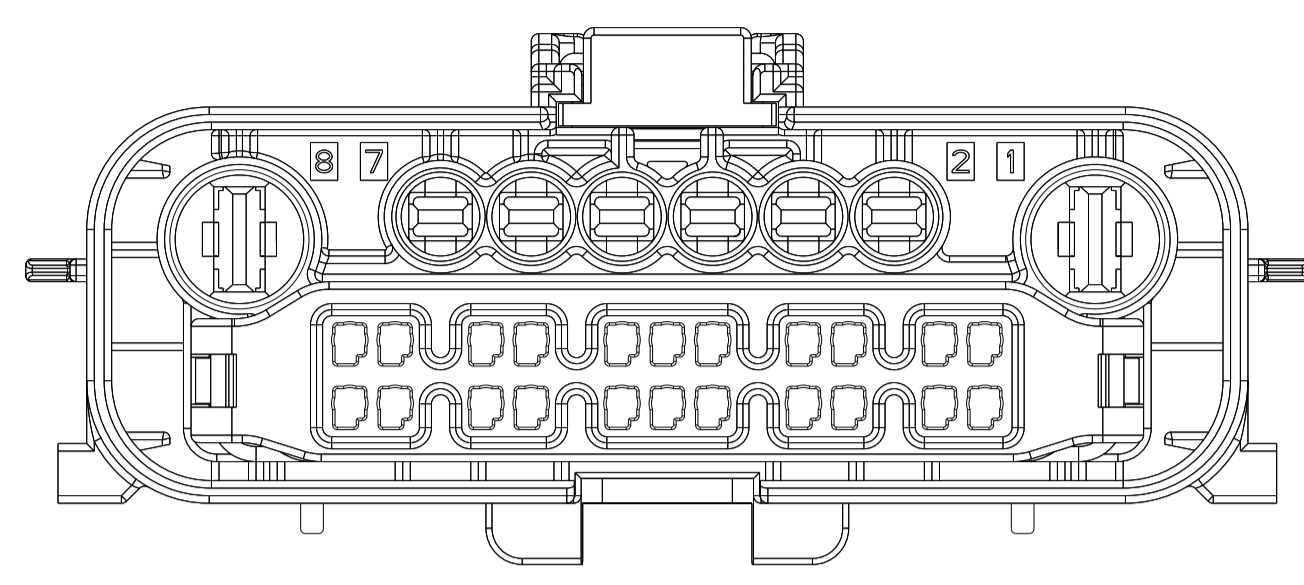
STE TE Connectivity

NAME: 30P SEALED HYBRID CAP ASSEMBLY

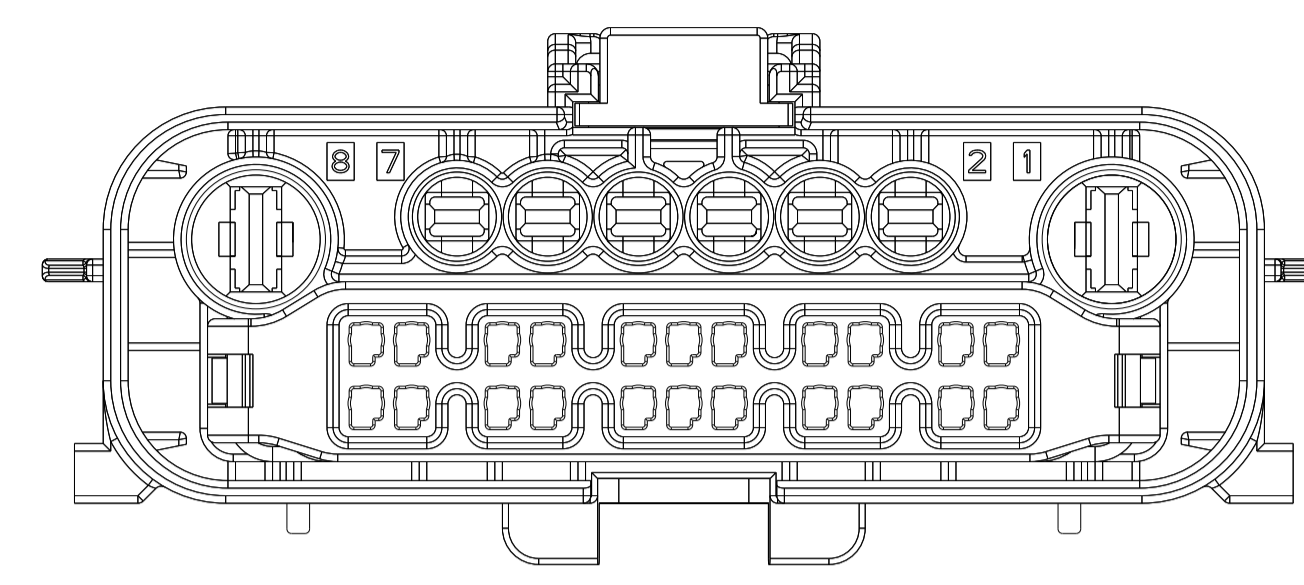
SIZE: A1 CAGE CODE: - DRAWING NO: C=2301461 RESTRICTED TO: -

MATERIAL: - WEIGHT: - SCALE: 3:2 SHEET 1 OF 5 REV: C13

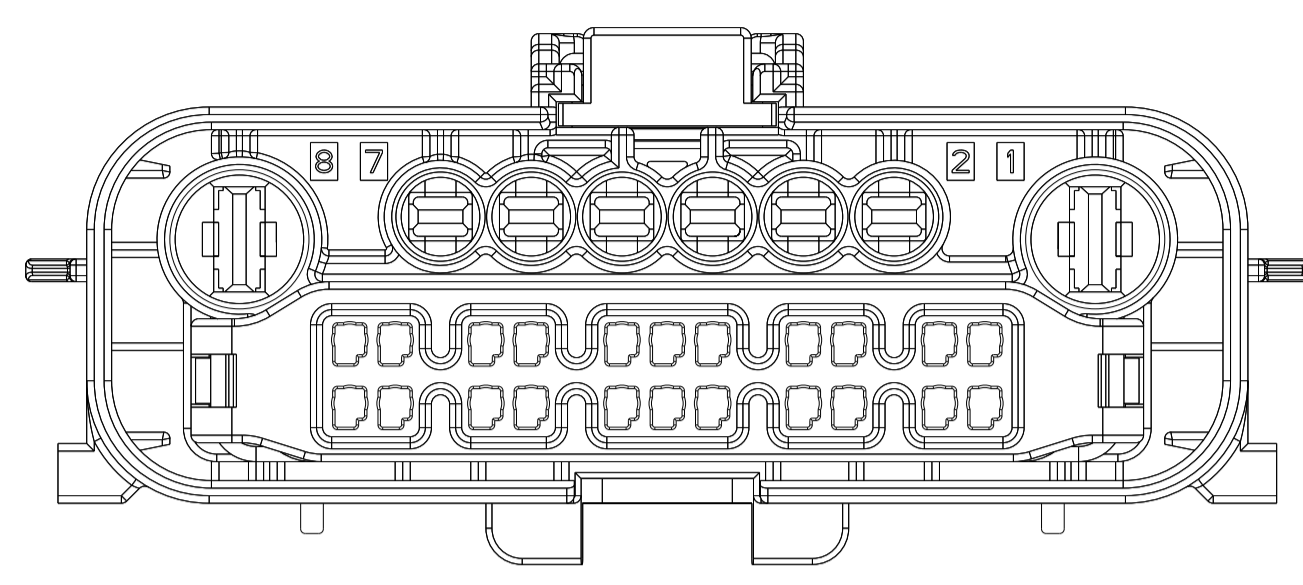
REVISIONS				
P	LTN	DESCRIPTION	DATE	APVD
-	-	SEE SHEET 1	-	-
-	-	-	-	-
-	-	-	-	-
-	-	-	-	-



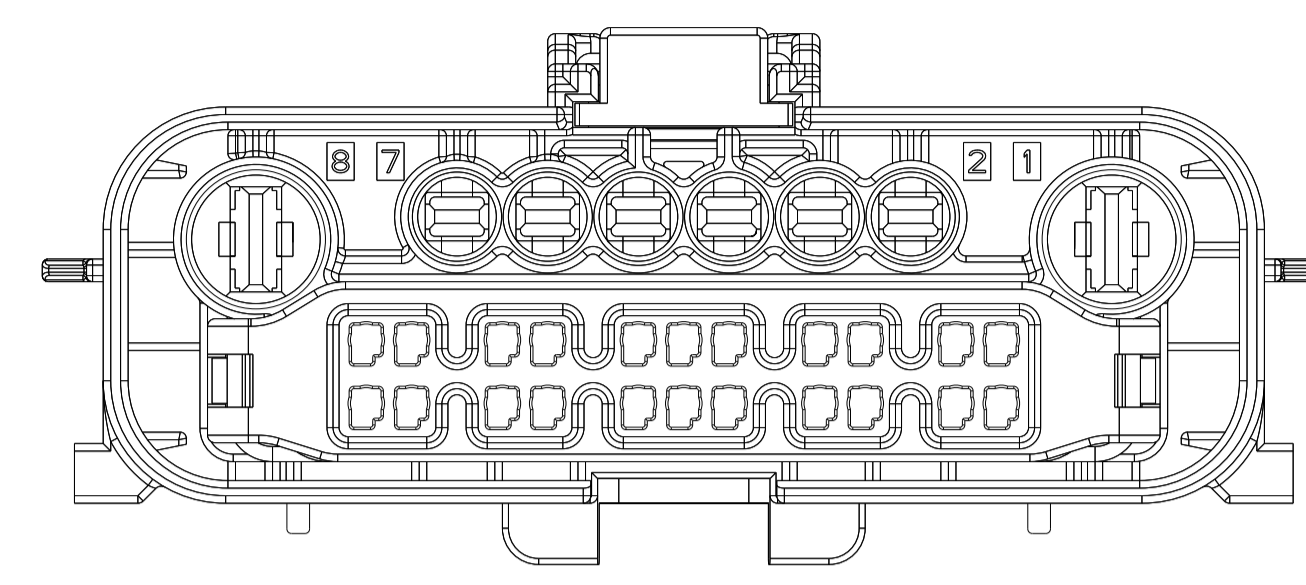
2301461-1
KEY A - BLACK



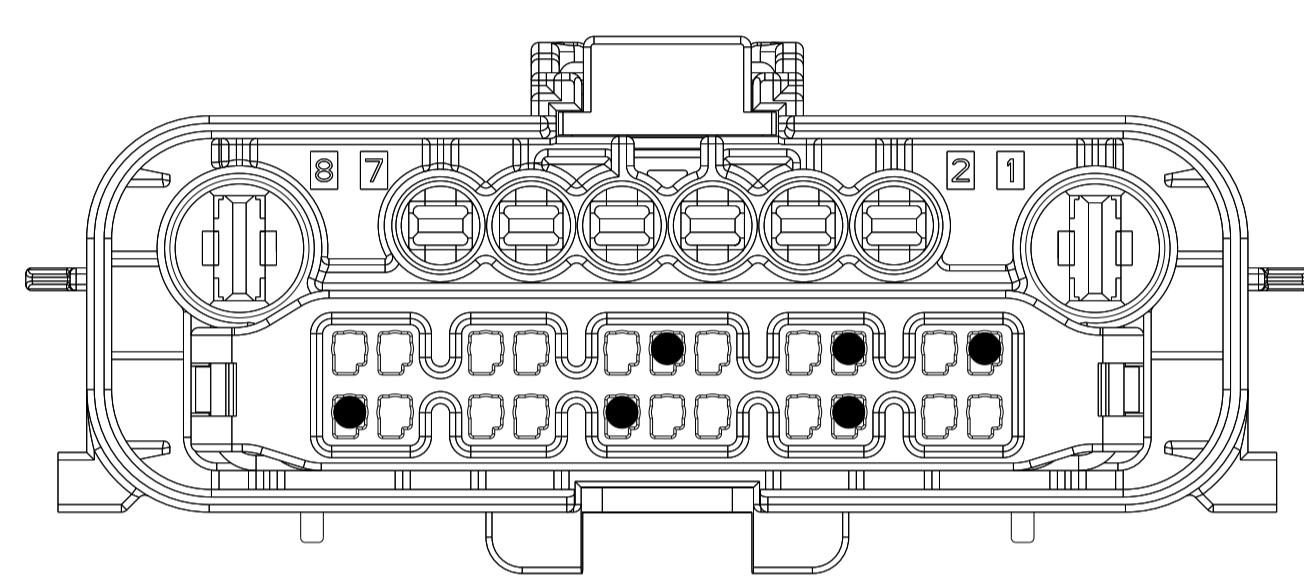
2301461-2
KEY B - LT GRAY



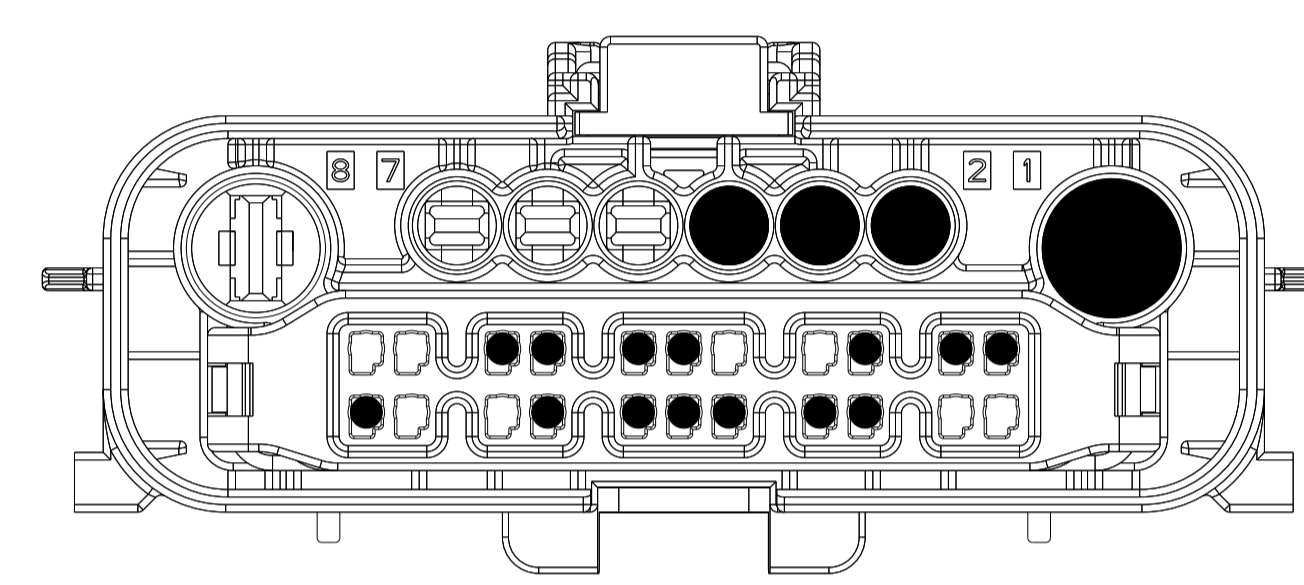
2301461-3
KEY C - DK GRAY



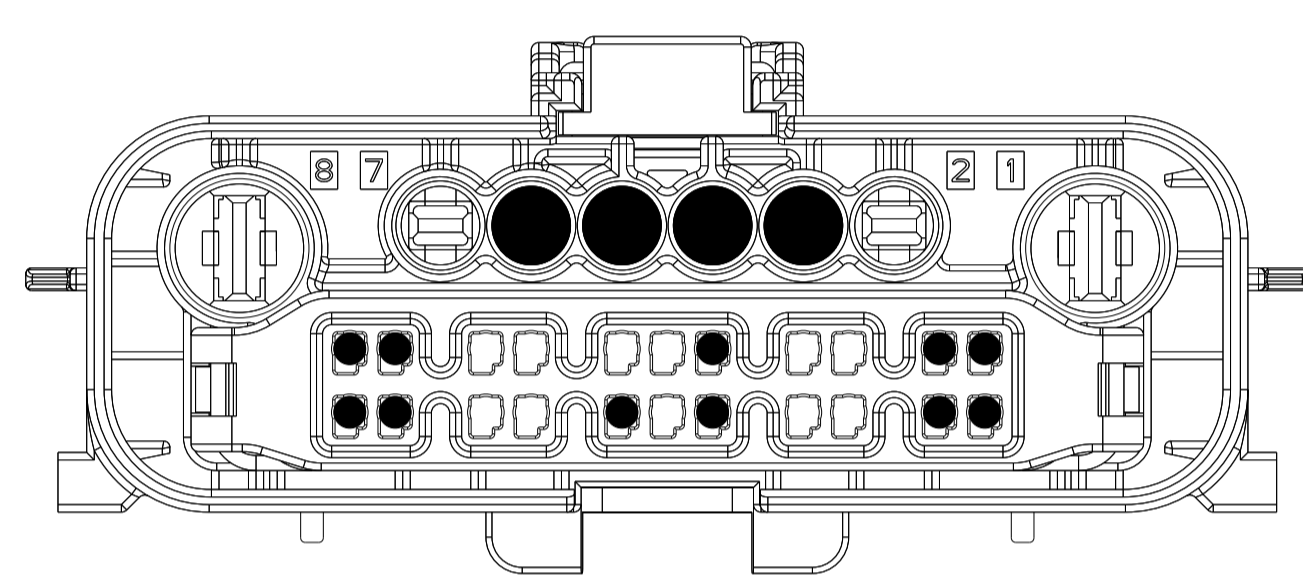
2301461-4
KEY D - BLACK



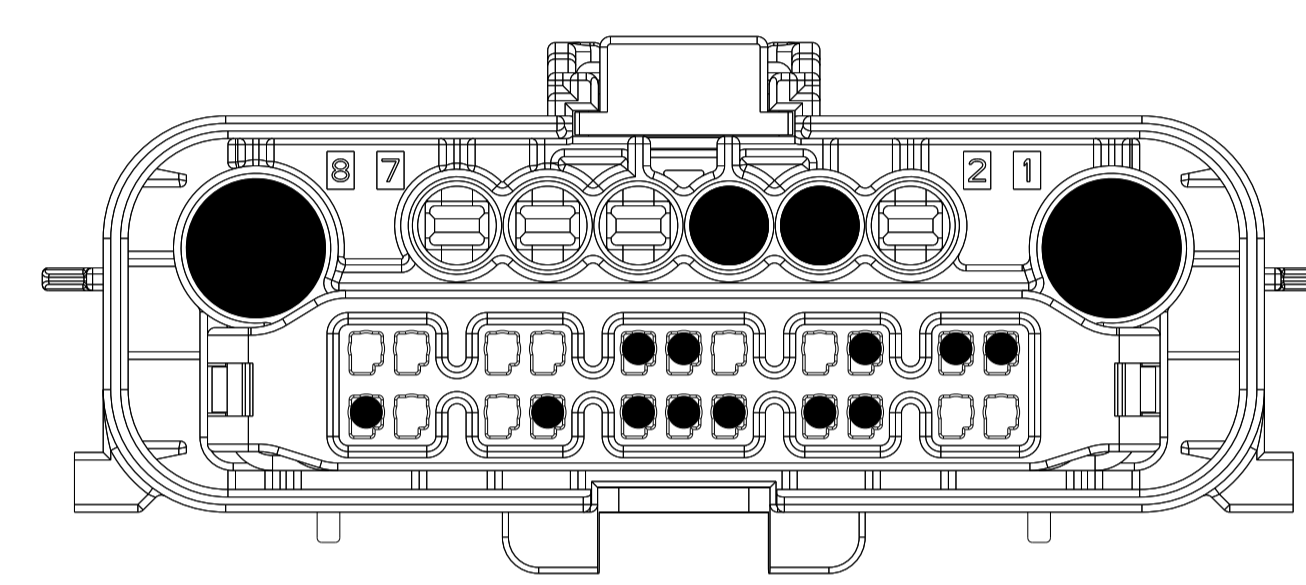
2301461-5
KEY A - BLACK



2301461-6
KEY A - BLACK



2301461-7
KEY A - BLACK



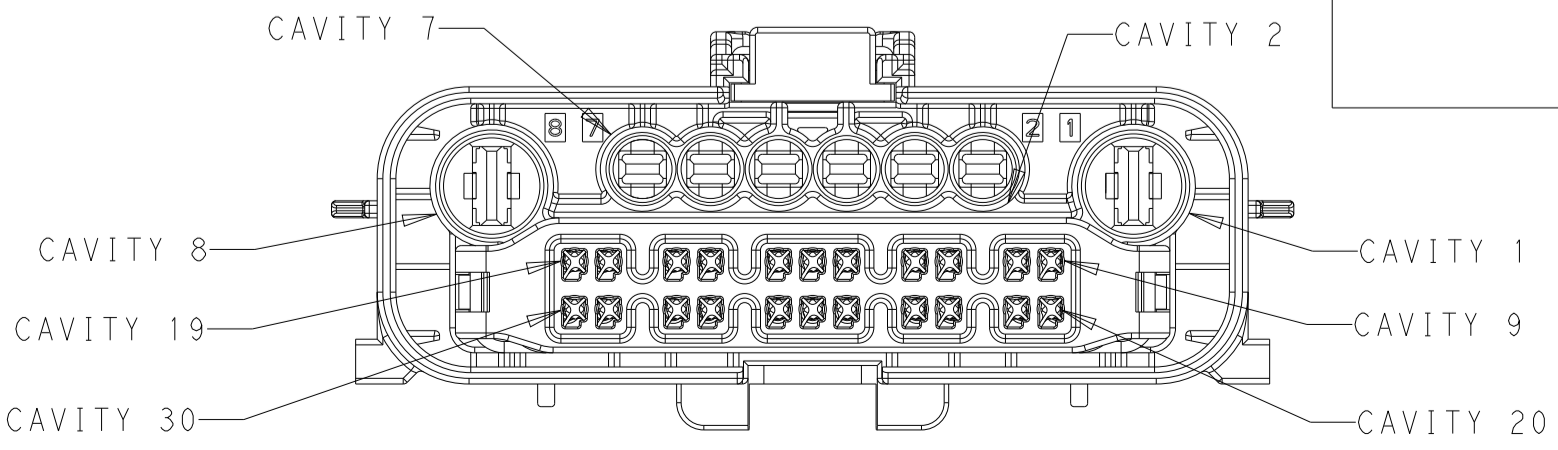
2301461-8
KEY A - BLACK

CIRCUITS WITH SHADED CIRCLES ARE BLOCKED

TOOLING STATUS	TERMINAL HOLE POSITION																														COLOR	KEY	ASSEMBLY PART #			
	30	29	28	27	26	25	24	23	22	21	20	19	18	17	16	15	14	13	12	11	10	9	8	7	6	5	4	3	2	1						
TOOLED	30																																	BLACK	A	2301461-8
TOOLED	30	29																																BLACK	A	2301461-7
TOOLED	30																																	BLACK	A	2301461-6
TOOLED	30																																	BLACK	A	2301461-5
TOOLED																																		BLACK	D	2301461-4
TOOLED																																		DK GRAY	C	2301461-3
TOOLED																																		LT GRAY	B	2301461-2
TOOLED																																		BLACK	A	2301461-1

CAVITIES WITH A NUMERIC SYMBOL INDICATES CLOSED TERMINAL LOCATION
 BLANK CAVITIES INDICATES OPEN TERMINAL HOLE LOCATIONS

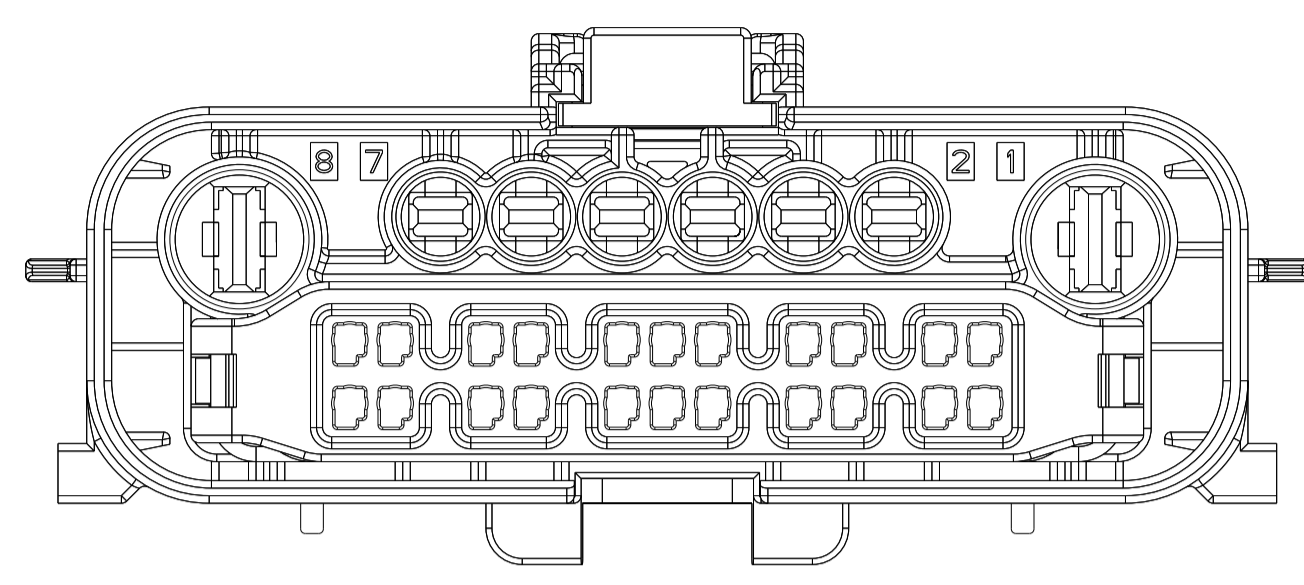
PIN OUT CHART



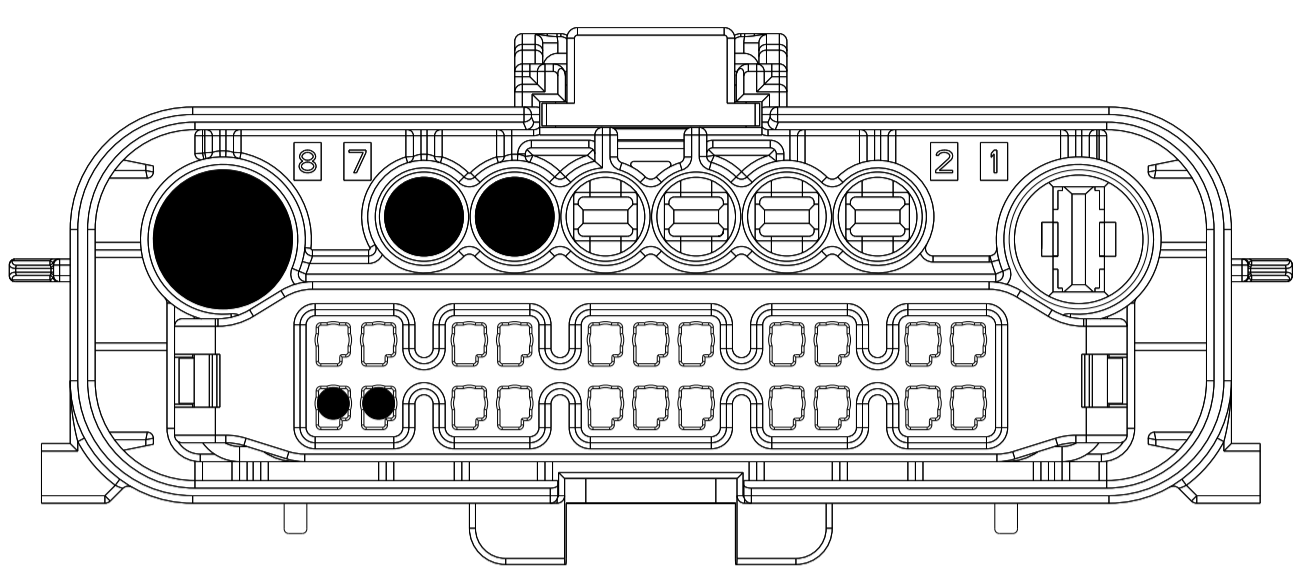
THIS DRAWING IS A CONTROLLED DOCUMENT.

DIMENSIONS:	TOLERANCES UNLESS OTHERWISE SPECIFIED:	OWN: R. HETRICK 18APR2016	CHK: R. HETRICK 18APR2016	APVD: R. HETRICK 18APR2016
mm	0 PLC ±.5 1 PLC ±0.5 2 PLC ±0.3 3 PLC ±.3 4 PLC ±.3 ANGLES ±.5° FINISH	TE Connectivity NAME: 30P SEALED HYBRID CAP ASSEMBLY SIZE: A1 CAGE CODE: - DRAWING NO: C=2301461 WEIGHT: - CUSTOMER DRAWING		
MATERIAL:		SCALE: 3:2	SHEET: 2 OF 5	REV: C13

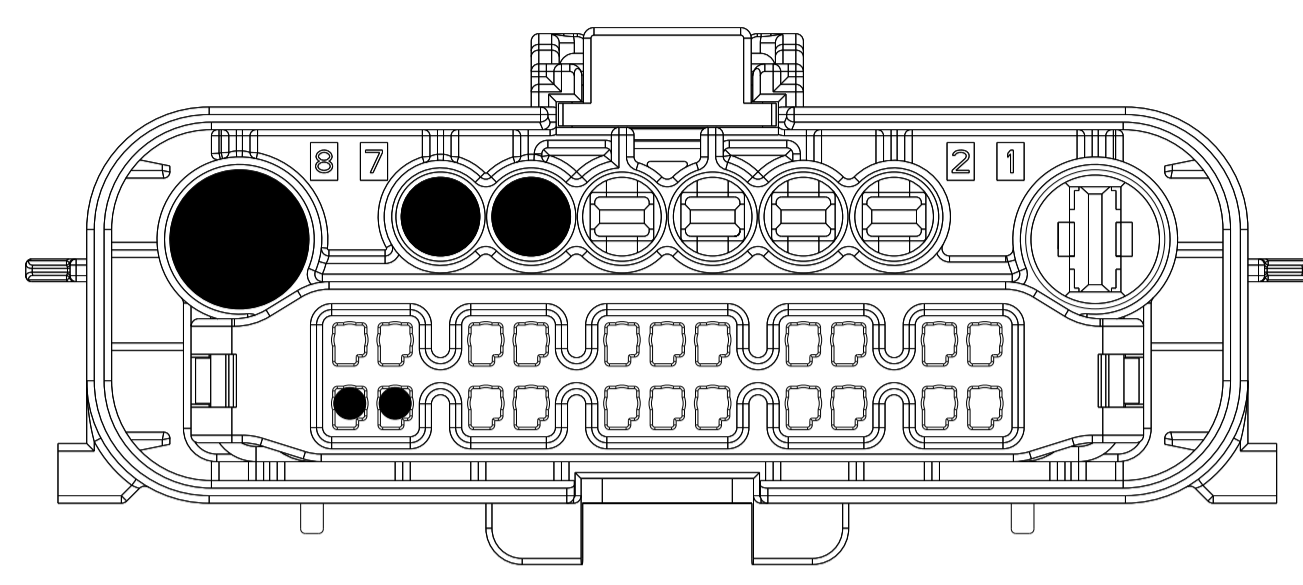
REVISIONS				
P	LTN	DESCRIPTION	DATE	APVD
-	-	SEE SHEET 1	-	-
-	-	-	-	-
-	-	-	-	-



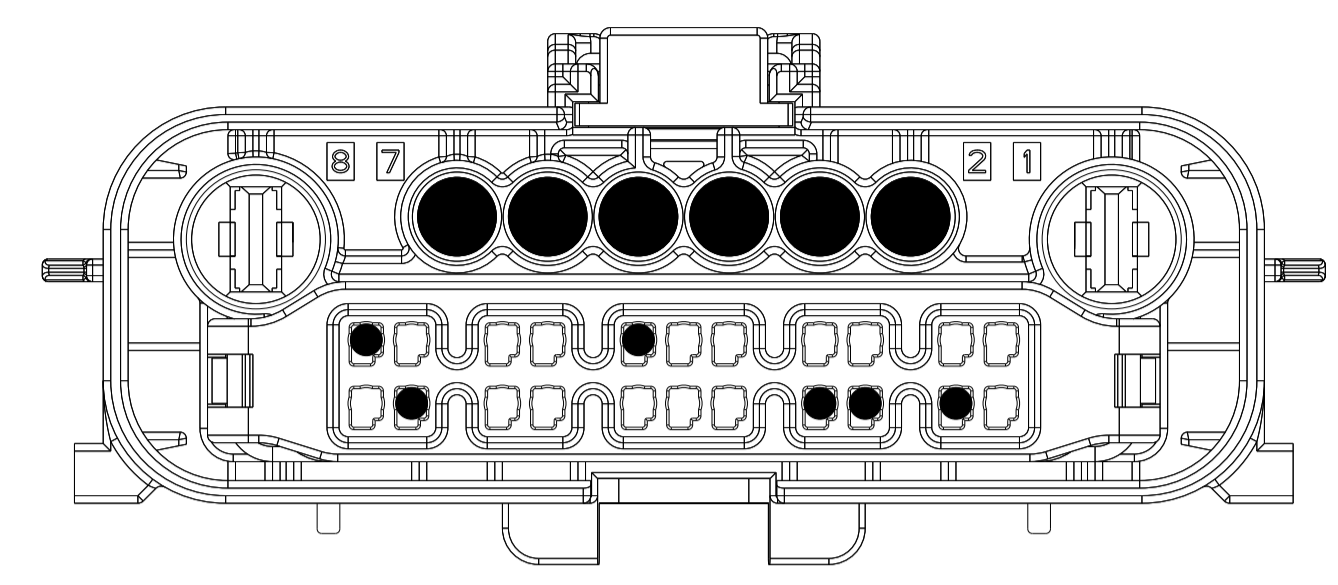
2301461-9
KEY A - YELLOW



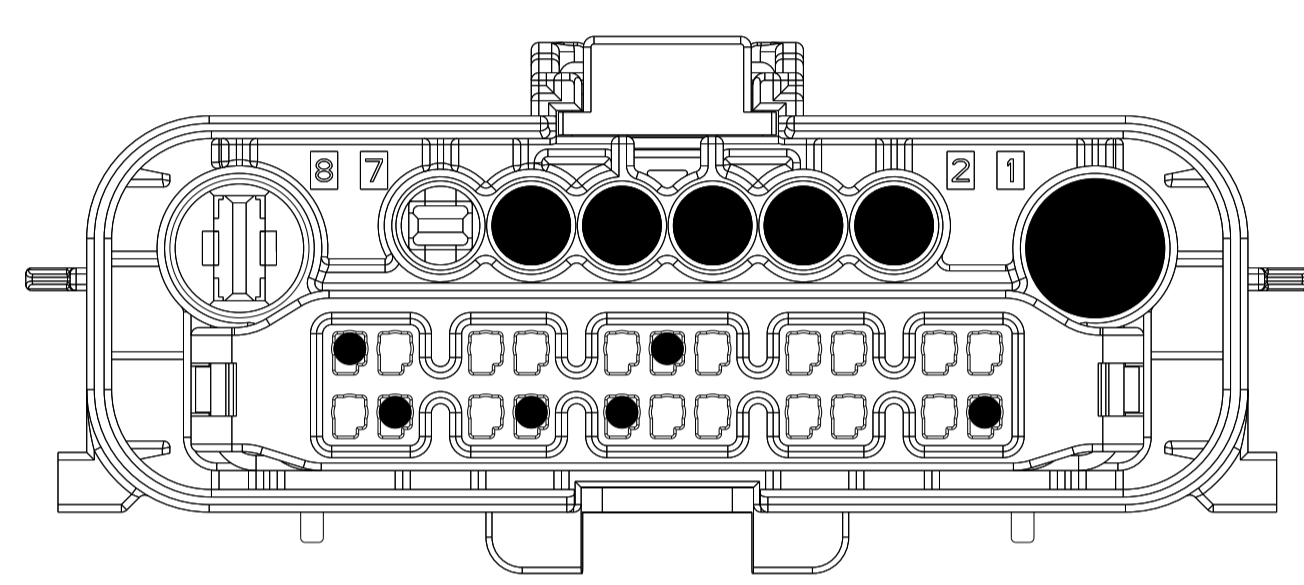
1-2301461-0
KEY A - YELLOW



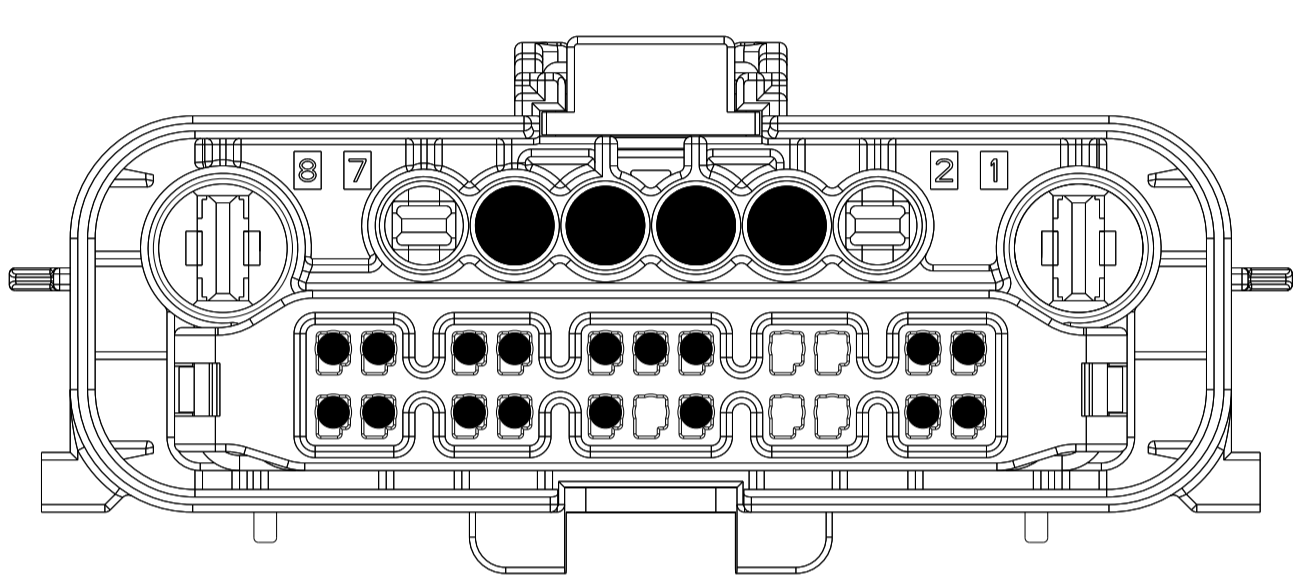
1-2301461-1
KEY A - BLACK



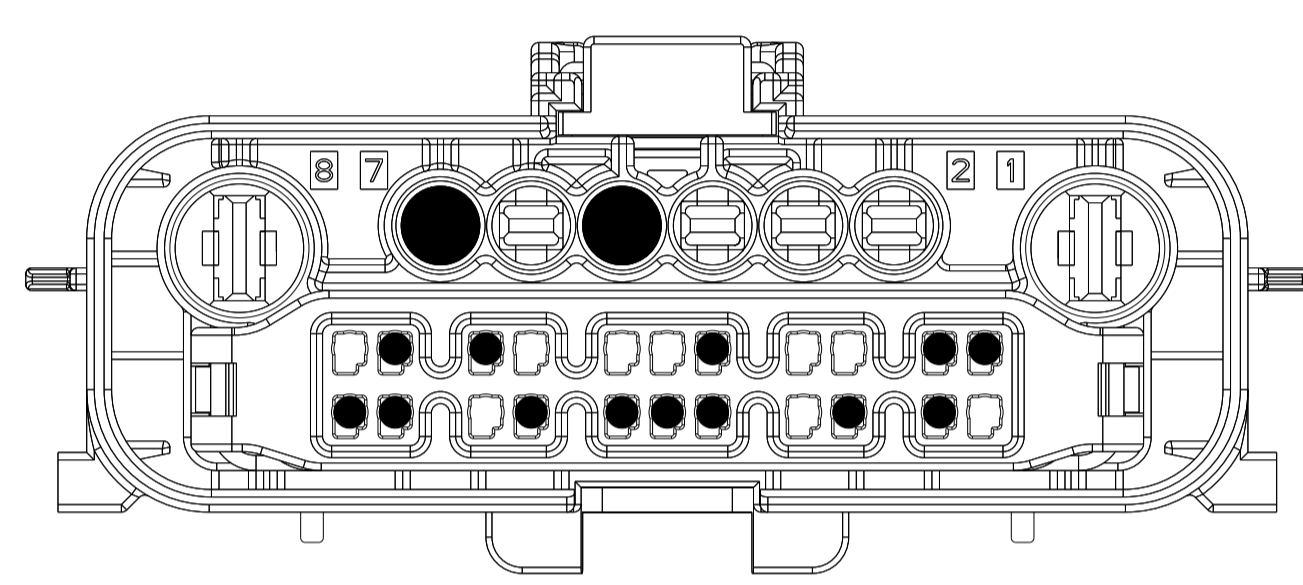
1-2301461-2
KEY A - BLACK



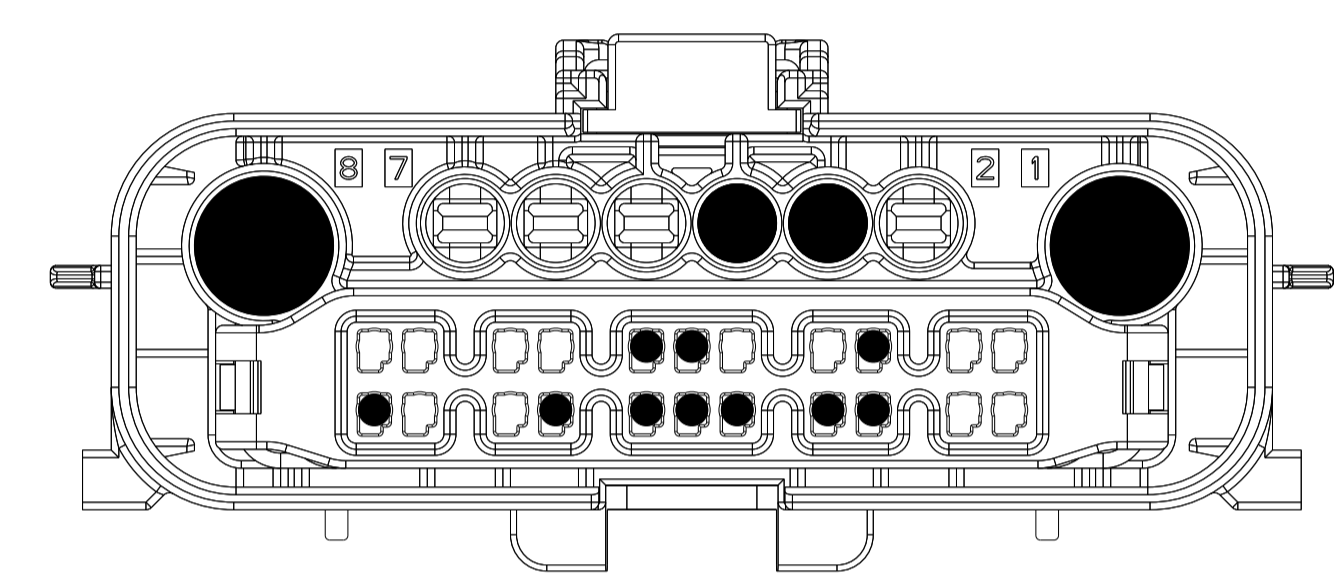
1-2301461-3
KEY A - BLACK



1-2301461-4
KEY B - LT GRAY



1-2301461-5
KEY A - BLACK



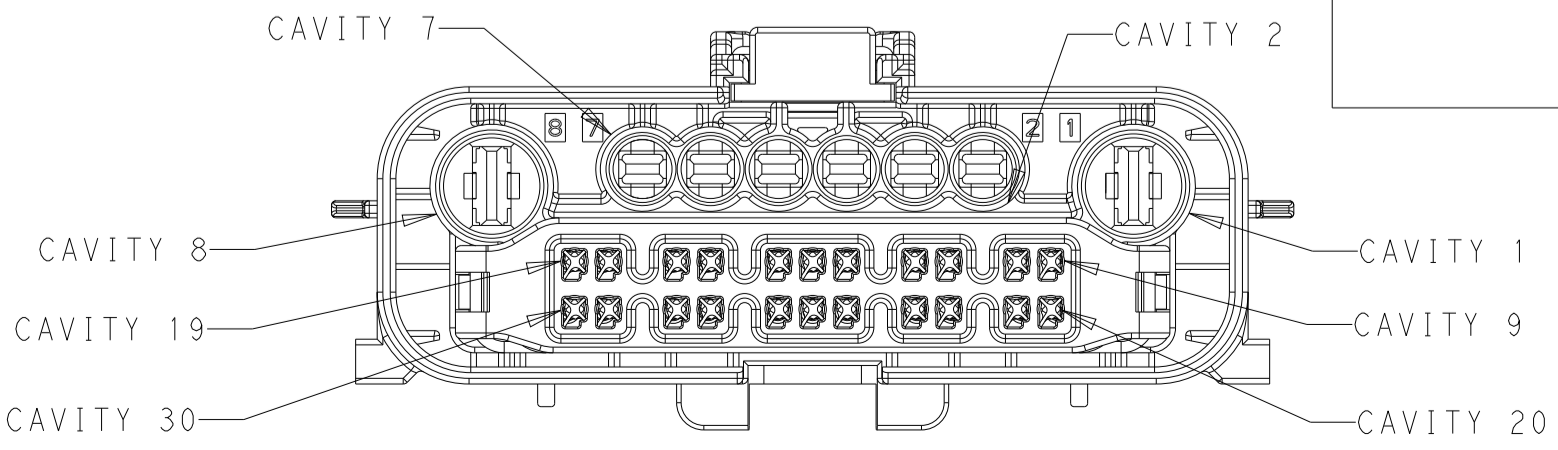
1-2301461-6
KEY A - BLACK

CIRCUITS WITH SHADED CIRCLES ARE BLOCKED

TOOLING STATUS	30	29	28	27	26	25	24	23	22	21	20	19	18	17	16	15	14	13	12	11	10	9	8	7	6	5	4	3	2	1	COLOR	KEY	ASSEMBLY PART #
TOOLED																															BLACK	A	1-2301461-6
TOOLED																															BLACK	A	1-2301461-5
TOOLED																															LT GRAY	B	1-2301461-4
TOOLED																															BLACK	A	1-2301461-3
TOOLED																															BLACK	A	1-2301461-2
TOOLED																															BLACK	A	1-2301461-1
TOOLED																															YELLOW	A	1-2301461-0
TOOLED																															YELLOW	A	2301461-9

TERMINAL HOLE POSITION
 CAVITIES WITH A NUMERIC SYMBOL INDICATES CLOSED TERMINAL LOCATION
 BLANK CAVITIES INDICATES OPEN TERMINAL HOLE LOCATIONS

PIN OUT CHART



THIS DRAWING IS A CONTROLLED DOCUMENT. DWN: R. HETRICK 18APR2016
 CHK: R. HETRICK 18APR2016
 APVD: R. HETRICK 18APR2016

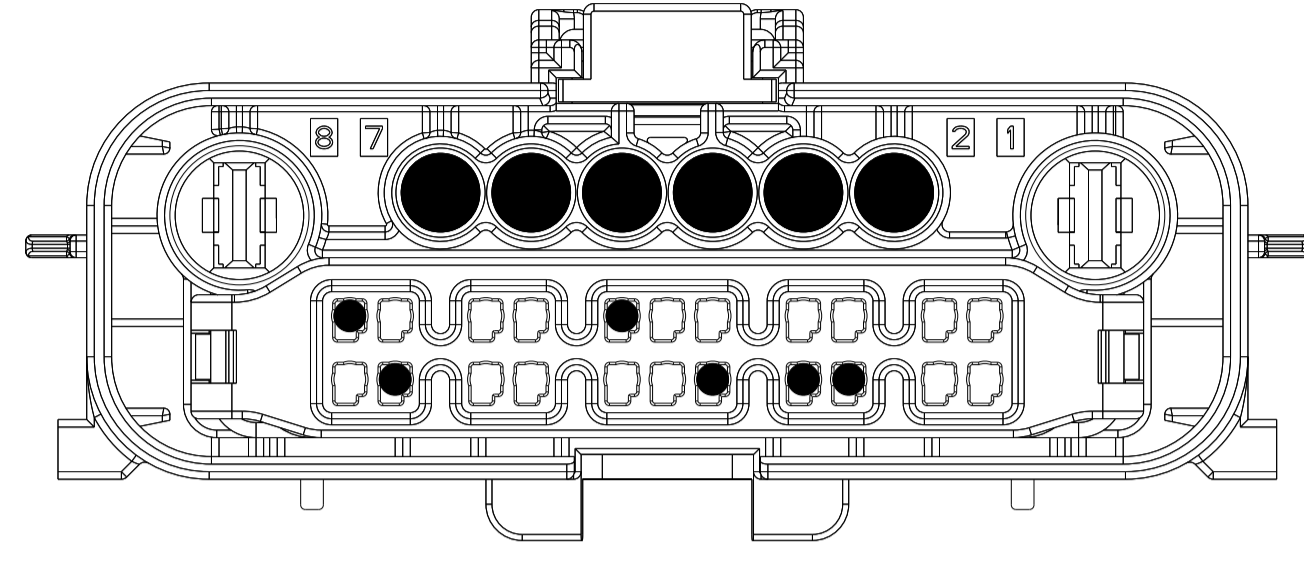
TE Connectivity

NAME: 30P SEALED HYBRID CAP ASSEMBLY

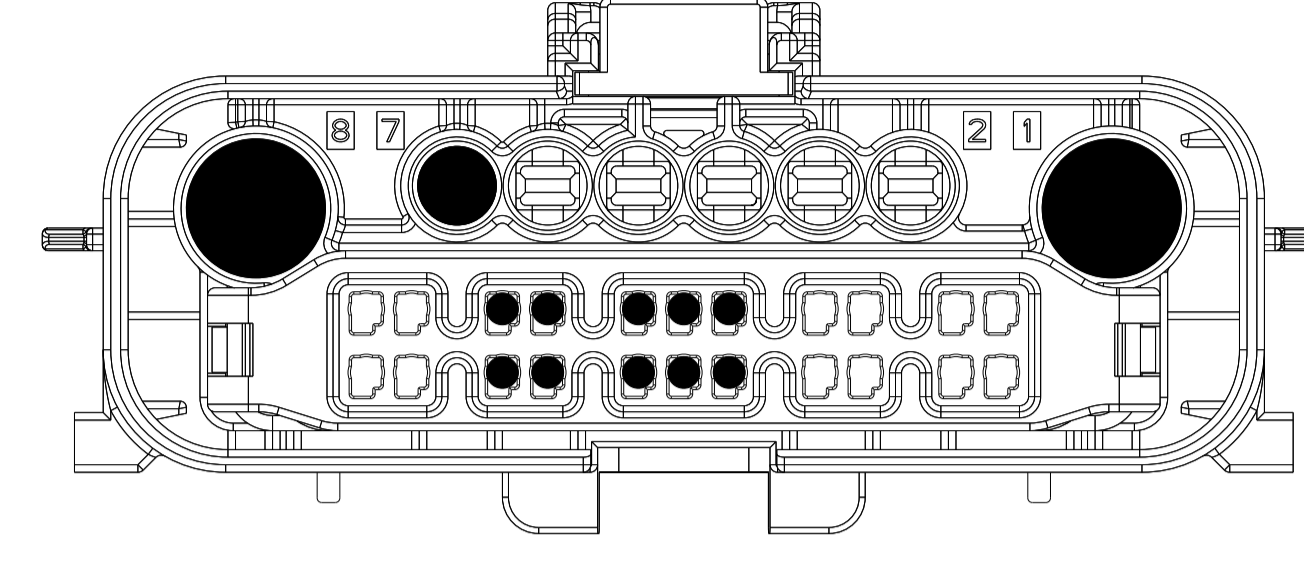
SIZE: A1 CAGE CODE: - DRAWING NO: C=2301461 RESTRICTED TO: -

SCALE: 3:2 SHEET: 3 OF 5 REV: C13

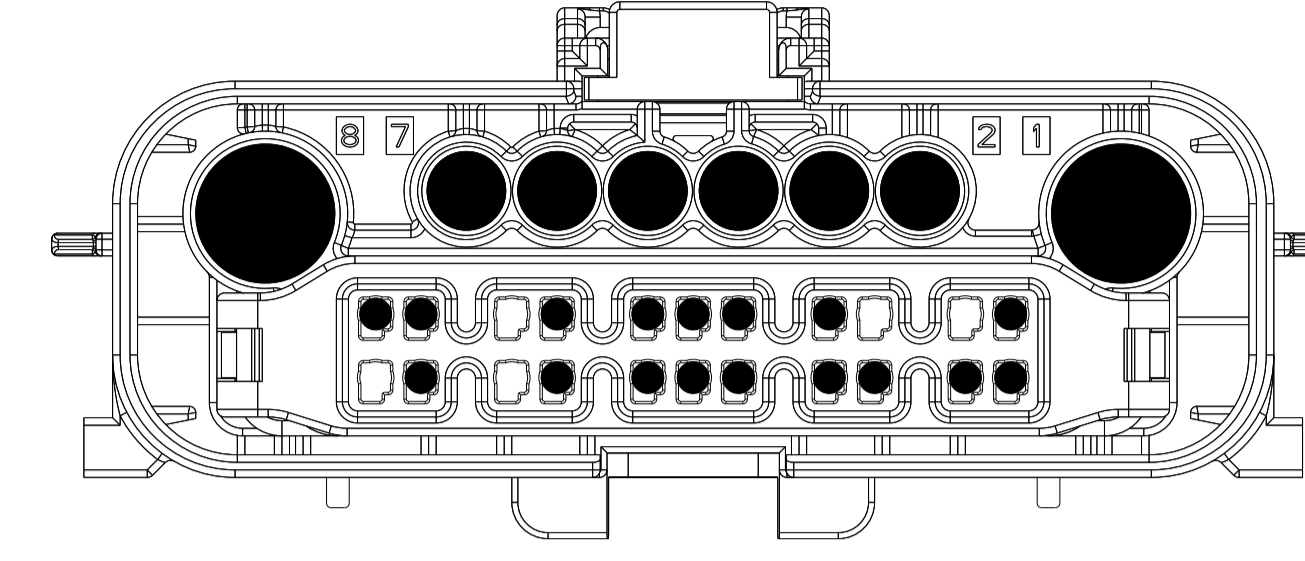
REVISIONS				
P	LTR	DESCRIPTION	DATE	APPV
-	-	SEE SHEET 1	-	-
-	-	-	-	-
-	-	-	-	-



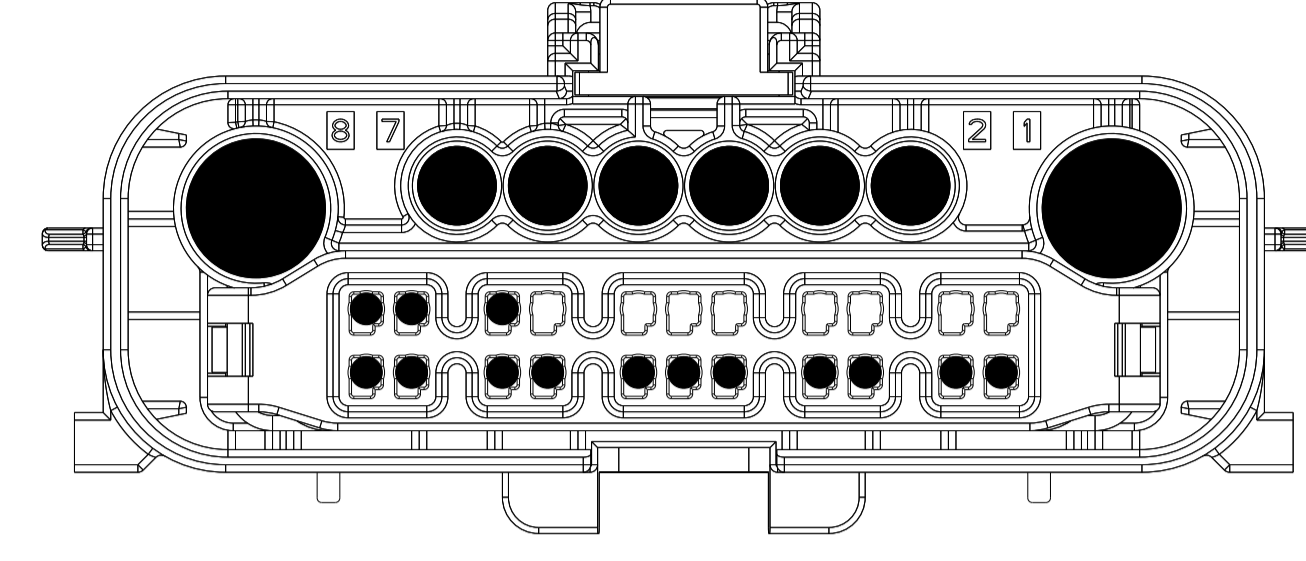
1-2301461-7
KEY A - BLACK



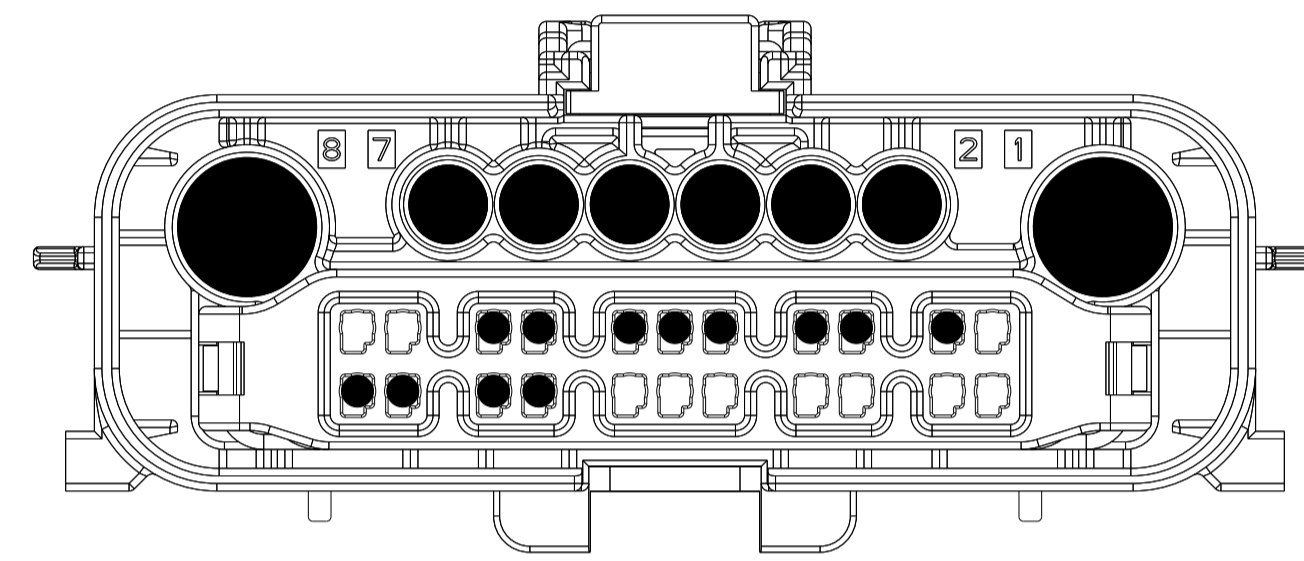
1-2301461-8
KEY A - BLACK



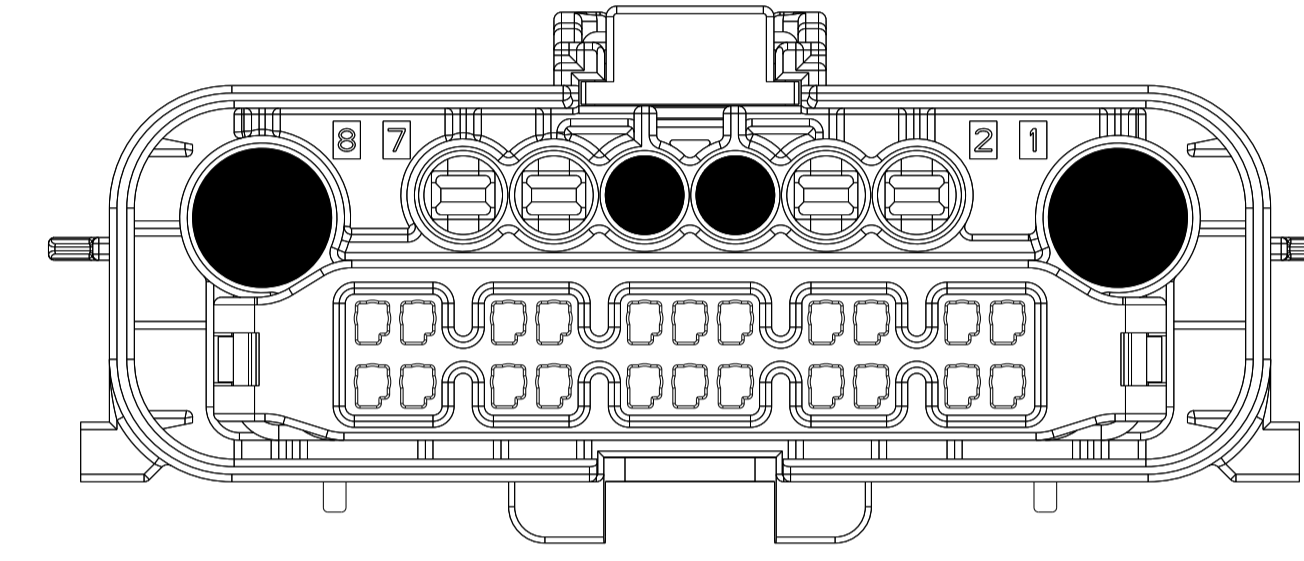
1-2301461-9
KEY A - BLACK



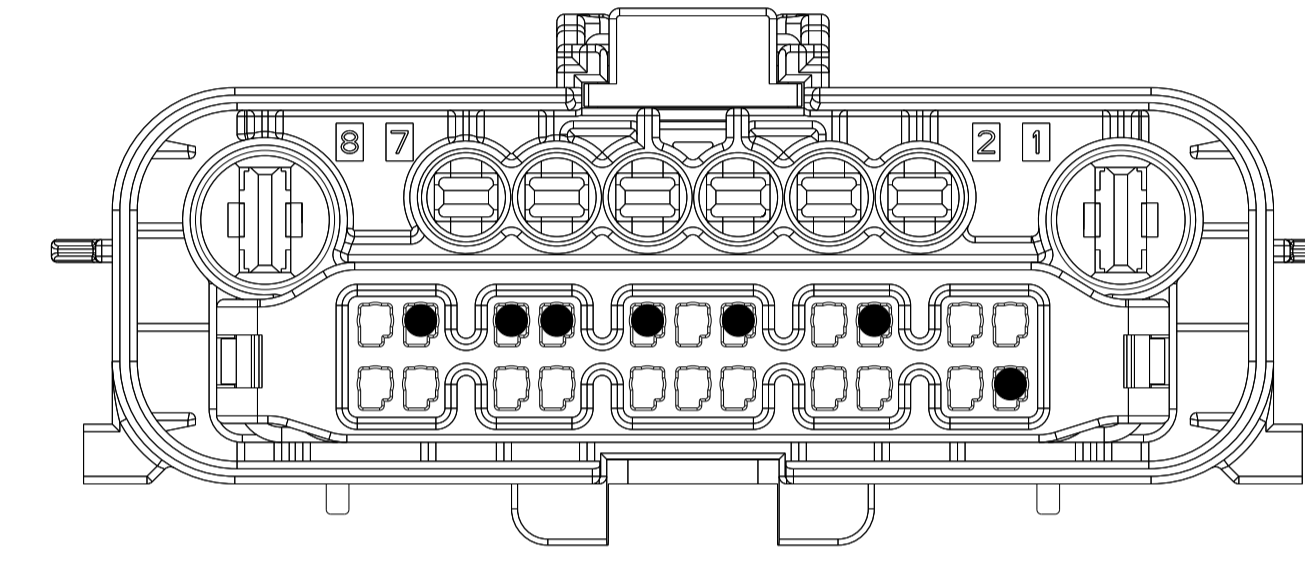
2-2301461-0
KEY A - BLACK



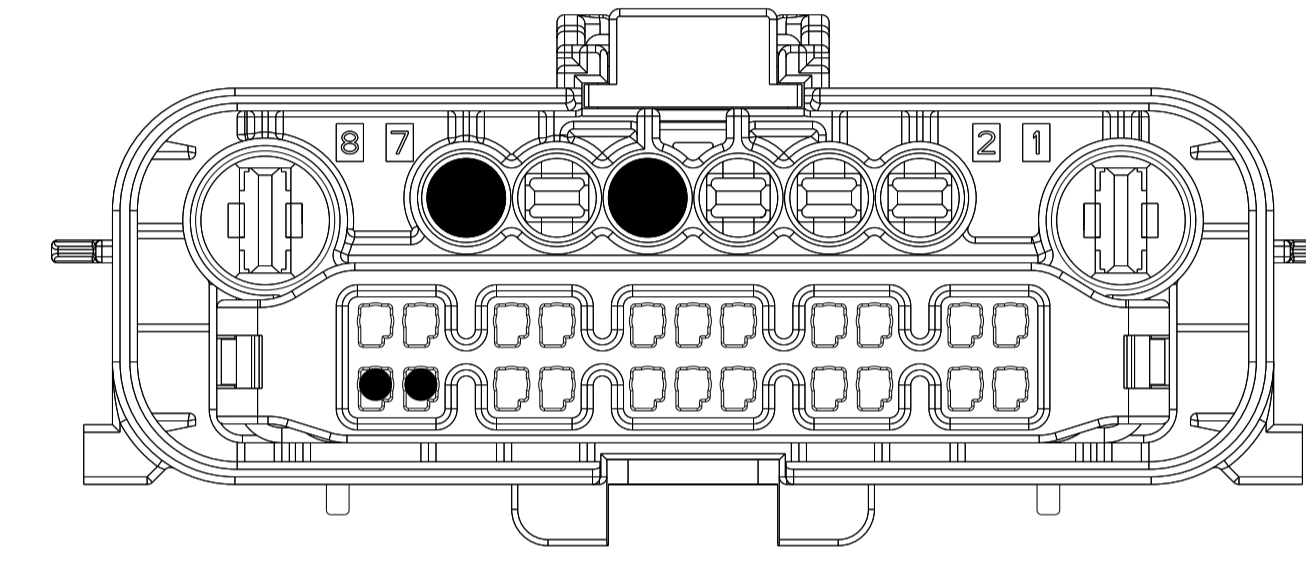
2-2301461-1
KEY A - BLACK



2-2301461-2
KEY A - BLACK



2-2301461-3
KEY A - BLACK

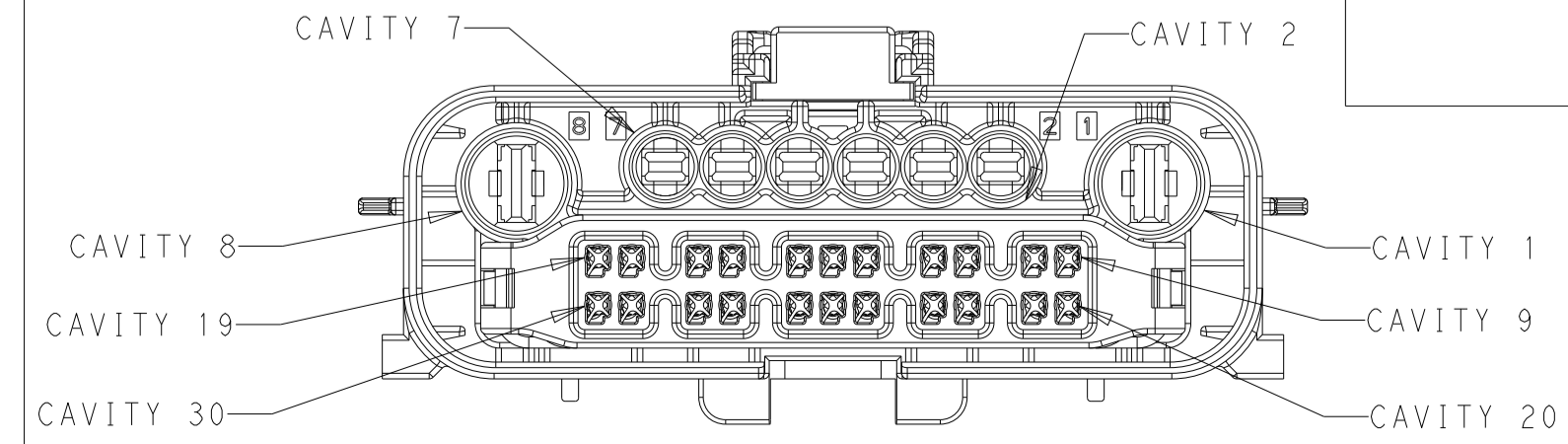


2-2301461-4
KEY A - BLACK

CIRCUITS WITH SHADED CIRCLES ARE BLOCKED

TOOLED	30	29																					7	5			BLACK	A	2-2301461-4						
TOOLED												20	18	17	16	15		13	11									BLACK	A	2-2301461-3					
TOOLED																							8		5	4		1	BLACK	A	2-2301461-2				
TOOLED	30	29	28	27											17	16	15	14	13	12	11	10		8	7	6	5	4	3	2	1	BLACK	A	2-2301461-1	
TOOLED	30	29	28	27	26	25	24	23	22	21	20	19	18	17										8	7	6	5	4	3	2	1	BLACK	A	2-2301461-0	
TOOLED		29		27	26	25	24	23	22	21	20	19	18		16	15	14	13	12					9	8	7	6	5	4	3	2	1	BLACK	A	1-2301461-9
TOOLED			28	27	26	25	24								17	16	15	14	13					8	7						1	BLACK	A	1-2301461-8	
TOOLED		29					24	23	22			19					15								7	6	5	4	3	2		BLACK	A	1-2301461-7	
TOOLING STATUS	30	29	28	27	26	25	24	23	22	21	20	19	18	17	16	15	14	13	12	11	10	9	8	7	6	5	4	3	2	1	COLOR	KEY	ASSEMBLY PART #		
	TERMINAL HOLE POSITION CAVITIES WITH A NUMERIC SYMBOL INDICATES CLOSED TERMINAL LOCATION BLANK CAVITIES INDICATES OPEN TERMINAL HOLE LOCATIONS																																		

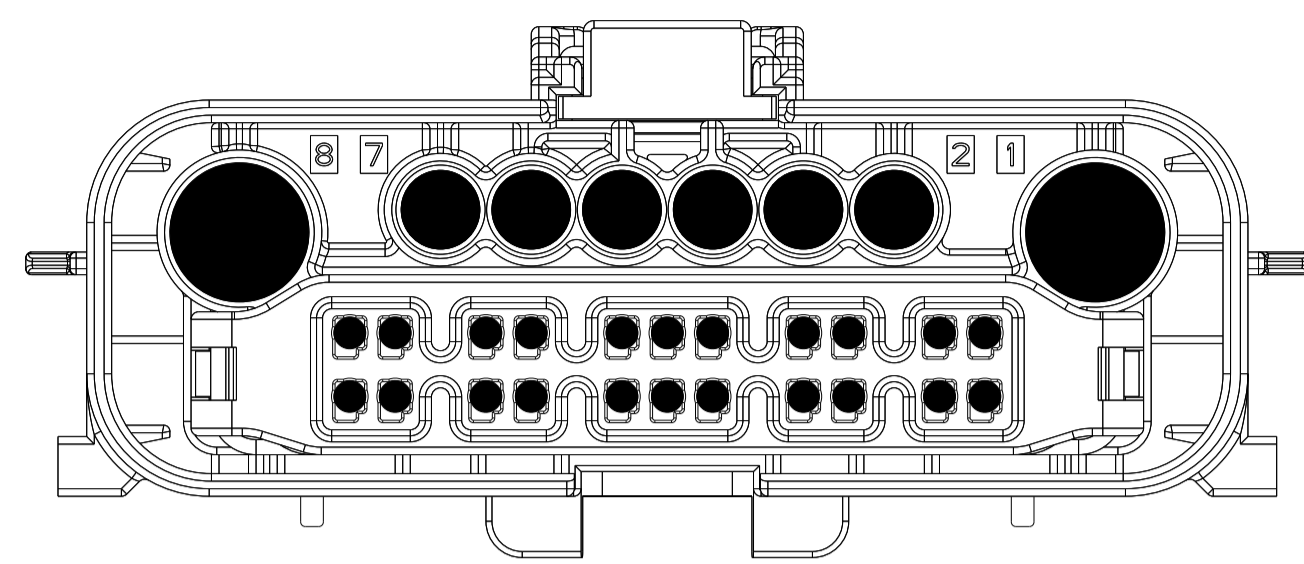
PIN OUT CHART



THIS DRAWING IS A CONTROLLED DOCUMENT.		OWN R. HETRICK 18APR2016	TE Connectivity NAME 30P SEALED HYBRID CAP ASSEMBLY
DIMENSIONS:		CHK R. HETRICK 18APR2016	
TOLERANCES UNLESS OTHERWISE SPECIFIED:		APPV R. HETRICK 18APR2016	
mm		PRODUCT SPEC	
0 PLC ± 1 PLC ±0.5 2 PLC ±0.3 3 PLC ± 4 PLC ± ANGLES ±3° FINISH		APPLICATION SPEC	
MATERIAL		WEIGHT	SIZE CAGE CODE DRAWING NO RESTRICTED TO
			A1 - C-2301461
CUSTOMER DRAWING		SCALE 3:2	SHEET 4 OF 5 REV 13

THIS DRAWING IS UNPUBLISHED. RELEASED FOR PUBLICATION 2014
 © COPYRIGHT 2014 BY - ALL RIGHTS RESERVED.

REVISIONS				
P	LTN	DESCRIPTION	DATE	APVD
-	-	SEE SHEET 1	-	-
-	-	-	-	-
-	-	-	-	-

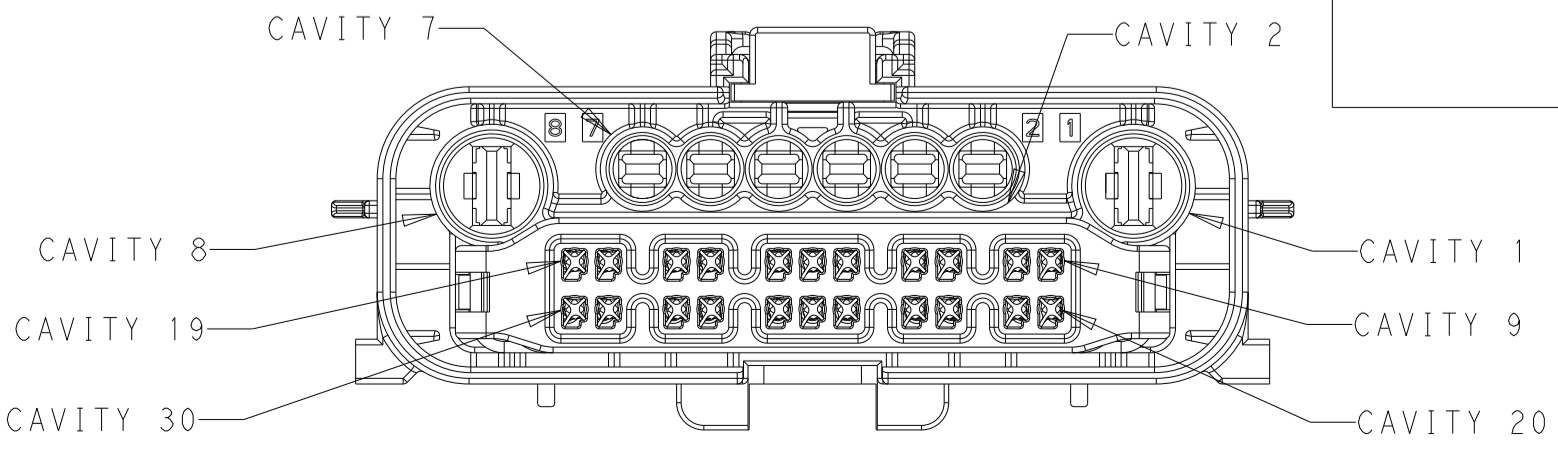


9-2301461-9
 KEY A - BLACK

CIRCUITS WITH SHADED CIRCLES ARE BLOCKED

TOOLED	30	29	28	27	26	25	24	23	22	21	20	19	18	17	16	15	14	13	12	11	10	9	8	7	6	5	4	3	2	1	BLACK	A	9-2301461-9
TOOLING STATUS	30	29	28	27	26	25	24	23	22	21	20	19	18	17	16	15	14	13	12	11	10	9	8	7	6	5	4	3	2	1	COLOR	KEY	ASSEMBLY PART #
	TERMINAL HOLE POSITION CAVITIES WITH A NUMERIC SYMBOL INDICATES CLOSED TERMINAL LOCATION BLANK CAVITIES INDICATES OPEN TERMINAL HOLE LOCATIONS																																

PIN OUT CHART



THIS DRAWING IS A CONTROLLED DOCUMENT.

DIMENSIONS:	TOLERANCES UNLESS OTHERWISE SPECIFIED:	OWN: R. HETRICK 18APR2016	CHK: R. HETRICK 18APR2016	APVD: R. HETRICK 18APR2016	NAME: 30P SEALED HYBRID CAP ASSEMBLY
mm	0 PLC ± 1 PLC ±0.5 2 PLC ±0.3 3 PLC ± 4 PLC ± ANGLES ±3° FINISH	TE Connectivity			SIZE: A1
MATERIAL:		WEIGHT: -	CAGE CODE: -	DRAWING NO: C=2301461	RESTRICTED TO: -
CUSTOMER DRAWING		SCALE: 3:2	SHEET: 5 OF 5	REV: C13	