

## CODE 41 - BRAID TAIL BACKSHELL

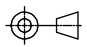

204M116-19B08

SERIES \_\_\_\_\_  
 DASH NUMBER (TABLE 1) \_\_\_\_\_  
 MATERIAL \_\_\_\_\_  
 REFER TO CH00-0250-004  
 FINISH \_\_\_\_\_  
 REFER TO CH00-0250-004  
 ENTRY SIZE (TABLE 2) \_\_\_\_\_  
 MODIFICATION CODE \_\_\_\_\_  
 REFER TO CH00-0250-004 (2)

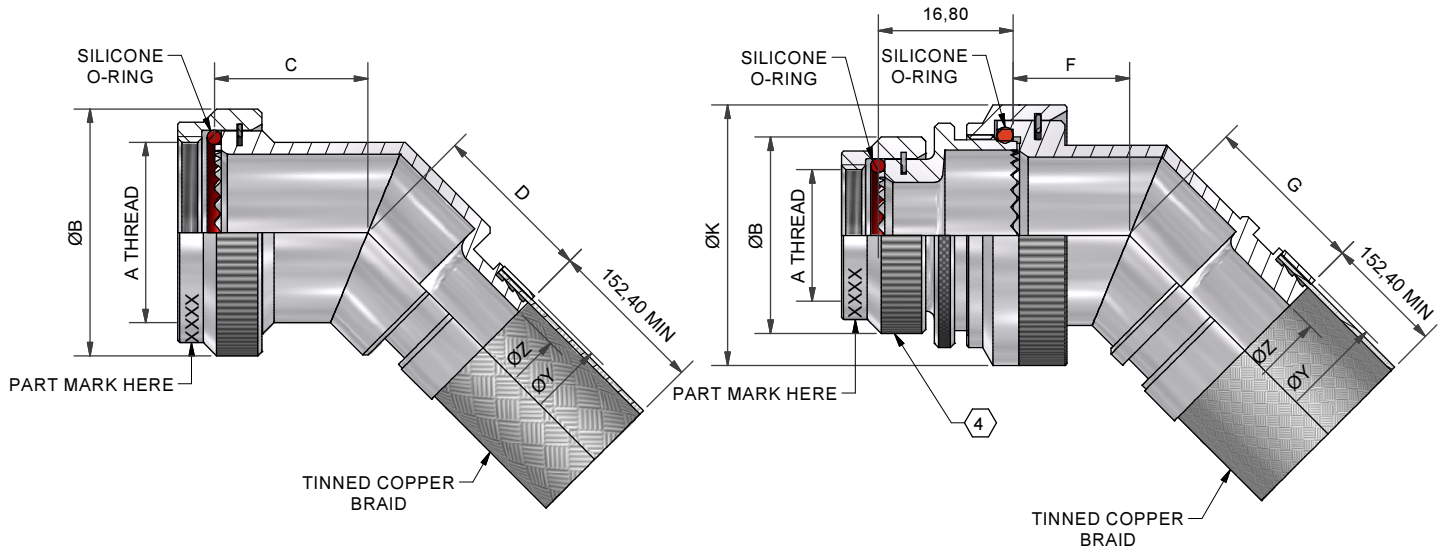
### NOTES:

1. THIS PRODUCT IS DESIGNED TO TERMINATE A HEAT SHRINKABLE LIPPED BOOT TO A CONNECTOR.
- (2) FOR ADDITIONAL DIMENSIONS, ORDERING INFORMATION AND MODIFICATIONS, SEE CH00-0250-004
3. BACKSHELL TO BE PERMANENTLY MARKED/BAGGED AND LABELLED WITH CODE IDENTIFICATION NUMBER AND PART NUMBER. (e.g. 06090-204M112-19B08).
- (4) WHEN ENTRY SIZE EXCEEDS "MAX ENTRY", A 2 PIECE BACKSHELL (TYPE 2) IS SUPPLIED.
5. BRAID TERMINATION RING MAY BE SUPPLIED AS TINEL-LOCK SHAPE MEMORY RING AT MANUFACTURERS OPTION.
6. BACKSHELL MATES TO MIL-DTL-38999 SERIES I & II, CLASS E & T, MS27466, MS27467, MS27468, MS27472, MS27473, MS27474, MS27479, MS27480, MS27481, MS27484, MS27497, MS27652, MS27653, MS27654, MS27656 CONNECTORS.

If this document is printed it becomes uncontrolled. Check for the latest revision

|  |                           |            |  |   |   |  |              |     |
|--|---------------------------|------------|--|---|---|--|--------------|-----|
| DRAWN  | K.WINCZURA                | DATE       | 17/06/2015   | <br>3RD ANGLE PROJECTION<br>NOT TO SCALE | <b>TITLE:</b><br><br>BRAID TAIL BACKSHELL (CODE 41)     |   |              |     |
| CHECKED  |                           | 17/06/2015 |  |   |   |  |              |     |
| APPROVED   | K.SHEPPARD                | 22/06/2015 | UNLESS OTHERWISE SPECIFIED<br>ALL DIMENSIONS IN MILLIMETRES<br>GENERAL TOL<br>LINEAR +/-0.25MM<br>ANGULAR +/- 1° |   |   |  |              |     |
| APPROVED   | H.SMITH                   | 24/06/2015 |  |   |   |  |              |     |
| <b>REVISIONS</b>                                   |                           |            |  |   | <b>ASSY USED ON:</b><br><br>MIL-DTL-38999 SERIES I & II | TE CONNECTIVITY - POLAMCO LTD RESERVES THE RIGHT TO AMEND THIS DRAWING AND THE INFORMATION SET FORTH HEREON AT ANY TIME. USERS SHOULD INDEPENDENTLY EVALUATE THE SUITABILITY OF THE PRODUCT FOR THEIR APPLICATION. |              |     |
| LTR  | DESCRIPTION               | DATE       | APPROVED   | DRAWING NO:   |   |  | DRAWING REV: | SHT |
| K  | REVISED PER ECN AD930     | 19/05/1993 | W.C.GAY  | 204M1XX   |   |  | L            | 1   |
| L  | REVISED PER ECO-15-009390 | 24/06/2015 | H.SMITH  |   |   |  |              |     |
| TE CAGE CODE: 06090<br>POLAMCO/TE CAGE CODE: U5792 |                           |            |  |   |   |  |              |     |

IF MAX ENTRY IS EXCEEDED BACKSHELL  
WILL BE SUPPLIED AS TYPE 2



45° BACKSHELL - TYPE 1

45° BACKSHELL - TYPE 2

TABLE 1

| BASE PART NUMBER | SHELL SIZE SER 1 / SER 2 | A THREAD      | ØB MAX | MAX ENTRY (4) | C ±0,5 | D ±0,5 |
|------------------|--------------------------|---------------|--------|---------------|--------|--------|
| 204M108          | 09 / 08                  | 7/16-28UNEF   | 18,3   | 04            | 16,6   | 17,1   |
| 204M110          | 11 / 10                  | 9/16-24UNEF   | 21,5   | 06            | 16,8   | 18,2   |
| 204M112          | 13 / 12                  | 11/16-24UNEF  | 24,5   | 08            | 17,3   | 18,6   |
| 204M114          | 15 / 14                  | 13/16-20UNEF  | 27,8   | 09            | 18,1   | 19,5   |
| 204M116          | 17 / 16                  | 15/16-20UNEF  | 30,8   | 11            | 19,0   | 20,3   |
| 204M118          | 19 / 18                  | 1 1/16-18UNEF | 34,1   | 12            | 19,2   | 20,8   |
| 204M120          | 21 / 20                  | 1 3/16-18UNEF | 37,3   | 14            | 20,1   | 21,7   |
| 204M122          | 23 / 22                  | 1 5/16-18UNEF | 40,5   | 16            | 20,3   | 22,0   |
| 204M124          | 25 / 24                  | 1 7/16-18UNEF | 43,7   | 18            | 21,8   | 22,9   |

TABLE 2

| ENTRY SIZE | ØZ REF | ØY REF | ØK MAX | F ±0,5 | G ±0,5 |
|------------|--------|--------|--------|--------|--------|
| 03         | 4,77   | 13,1   | NA     | NA     | NA     |
| 04         | 6,35   | 13,1   | NA     | NA     | NA     |
| 05         | 7,92   | 13,1   | 21,0   | 12,5   | 18,2   |
| 06         | 9,52   | 17,9   | 21,0   | 12,5   | 18,2   |
| 07         | 11,12  | 17,9   | 21,0   | 12,5   | 18,2   |
| 08         | 12,70  | 17,9   | 24,5   | 13,1   | 18,6   |
| 09         | 14,27  | 17,9   | 24,5   | 13,1   | 18,6   |
| 10         | 15,87  | 24,2   | 29,0   | 13,5   | 19,5   |
| 11         | 17,47  | 24,2   | 32,5   | 14,5   | 20,3   |
| 12         | 19,05  | 24,2   | 32,5   | 14,5   | 20,3   |
| 13         | 20,62  | 24,2   | 35,5   | 15,5   | 20,8   |
| 14         | 22,23  | 30,6   | 35,5   | 15,5   | 20,8   |
| 15         | 23,82  | 30,6   | 37,0   | 16,1   | 21,7   |
| 16         | 25,40  | 30,6   | 37,0   | 16,1   | 21,7   |
| 17         | 26,98  | 33,2   | 40,0   | 16,5   | 22,0   |
| 18         | 28,60  | 33,2   | 40,0   | 16,5   | 22,0   |
| 20         | 31,80  | 42,0   | 43,5   | 17,0   | 22,9   |
| 21         | 33,34  | 42,0   | 48,5   | 18,5   | 24,8   |
| 22         | 35,00  | 42,0   | 48,5   | 18,5   | 24,8   |
| 24         | 38,10  | 42,0   | 52,1   | 21,9   | 25,8   |
| 28         | 44,45  | 49,0   | 58,5   | 25,7   | 26,4   |

If this document is printed it becomes uncontrolled. Check for the latest revision

| <table border="1"> <tr><td>DRAWN</td><td>K.WINCZURA</td><td>DATE</td><td>17/06/2015</td></tr> <tr><td>CHECKED</td><td></td><td>DATE</td><td>17/06/2015</td></tr> <tr><td>APPROVED</td><td>K.SHEPPARD</td><td>DATE</td><td>22/06/2015</td></tr> <tr><td>APPROVED</td><td>H.SMITH</td><td>DATE</td><td>24/06/2015</td></tr> </table> | DRAWN                     | K.WINCZURA  | DATE       | 17/06/2015 | CHECKED |                       | DATE       | 17/06/2015 | APPROVED | K.SHEPPARD                | DATE       | 22/06/2015 | APPROVED  | H.SMITH                               | DATE                             | 24/06/2015              |  | <p>UNLESS OTHERWISE SPECIFIED<br/>ALL DIMENSIONS IN MILLIMETRES<br/>GENERAL TOL<br/>LINEAR +/-0,25MM<br/>ANGULAR +/- 1°</p> | <p>TITLE:<br/><b>BRAID TAIL BACKSHELL (CODE 41)</b></p> <p>ASSY USED ON:<br/><b>MIL-DTL-38999 SERIES I &amp; II</b></p> |  |
|--|---------------------------|-------------|------------|------------|---------|-----------------------|------------|------------|----------|---------------------------|------------|------------|---|---------------------------------------|----------------------------------|-------------------------|--|---|---|--|
| DRAWN  | K.WINCZURA                | DATE        | 17/06/2015 |            |         |                       |            |            |          |                           |            |            |   |                                       |                                  |                         |  |   |   |  |
| CHECKED  |                           | DATE        | 17/06/2015 |            |         |                       |            |            |          |                           |            |            |   |                                       |                                  |                         |  |   |   |  |
| APPROVED   | K.SHEPPARD                | DATE        | 22/06/2015 |            |         |                       |            |            |          |                           |            |            |   |                                       |                                  |                         |  |   |   |  |
| APPROVED   | H.SMITH                   | DATE        | 24/06/2015 |            |         |                       |            |            |          |                           |            |            |   |                                       |                                  |                         |  |   |   |  |
| <p>REVISIONS</p> <table border="1"> <tr><th>LTR</th><th>DESCRIPTION</th><th>DATE</th><th>APPROVED</th></tr> <tr><td>K</td><td>REVISED PER ECN AD930</td><td>19/05/1993</td><td>W.C.GAY</td></tr> <tr><td>L</td><td>REVISED PER ECO-15-009390</td><td>24/06/2015</td><td>H.SMITH</td></tr> </table>                                 | LTR                       | DESCRIPTION | DATE       | APPROVED   | K       | REVISED PER ECN AD930 | 19/05/1993 | W.C.GAY    | L        | REVISED PER ECO-15-009390 | 24/06/2015 | H.SMITH    | <p>TE CONNECTIVITY - POLAMCO LTD RESERVES THE RIGHT TO AMEND THIS DRAWING AND THE INFORMATION SET FORTH HEREON AT ANY TIME. USERS SHOULD INDEPENDENTLY EVALUATE THE SUITABILITY OF THE PRODUCT FOR THEIR APPLICATION.</p> | <p>DRAWING NO:<br/><b>204M1XX</b></p> | <p>DRAWING REV:<br/><b>L</b></p> | <p>SHT<br/><b>2</b></p> |  |   |   |  |
| LTR  | DESCRIPTION               | DATE        | APPROVED   |            |         |                       |            |            |          |                           |            |            |   |                                       |                                  |                         |  |   |   |  |
| K  | REVISED PER ECN AD930     | 19/05/1993  | W.C.GAY    |            |         |                       |            |            |          |                           |            |            |   |                                       |                                  |                         |  |   |   |  |
| L  | REVISED PER ECO-15-009390 | 24/06/2015  | H.SMITH    |            |         |                       |            |            |          |                           |            |            |   |                                       |                                  |                         |  |   |   |  |
| <p>TE CAGE CODE: 06090<br/>POLAMCO/TE CAGE CODE: U5792</p>   |                           |             |            |            |         |                       |            |            |          |                           |            |            |   |                                       |                                  |                         |  |   |   |  |