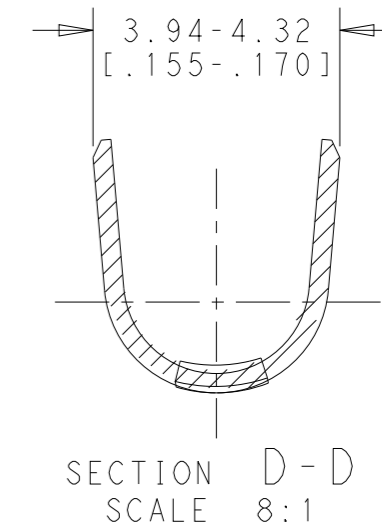
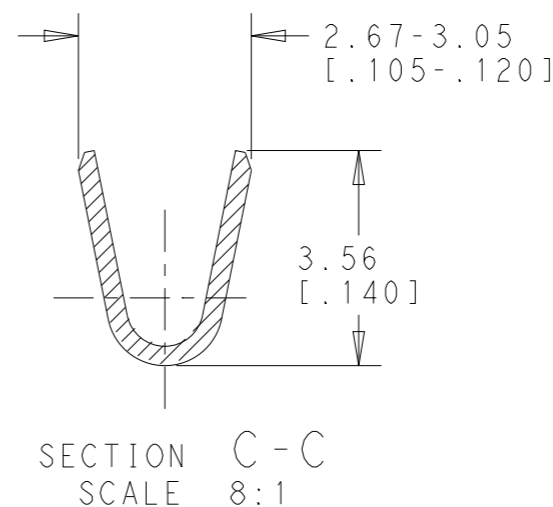
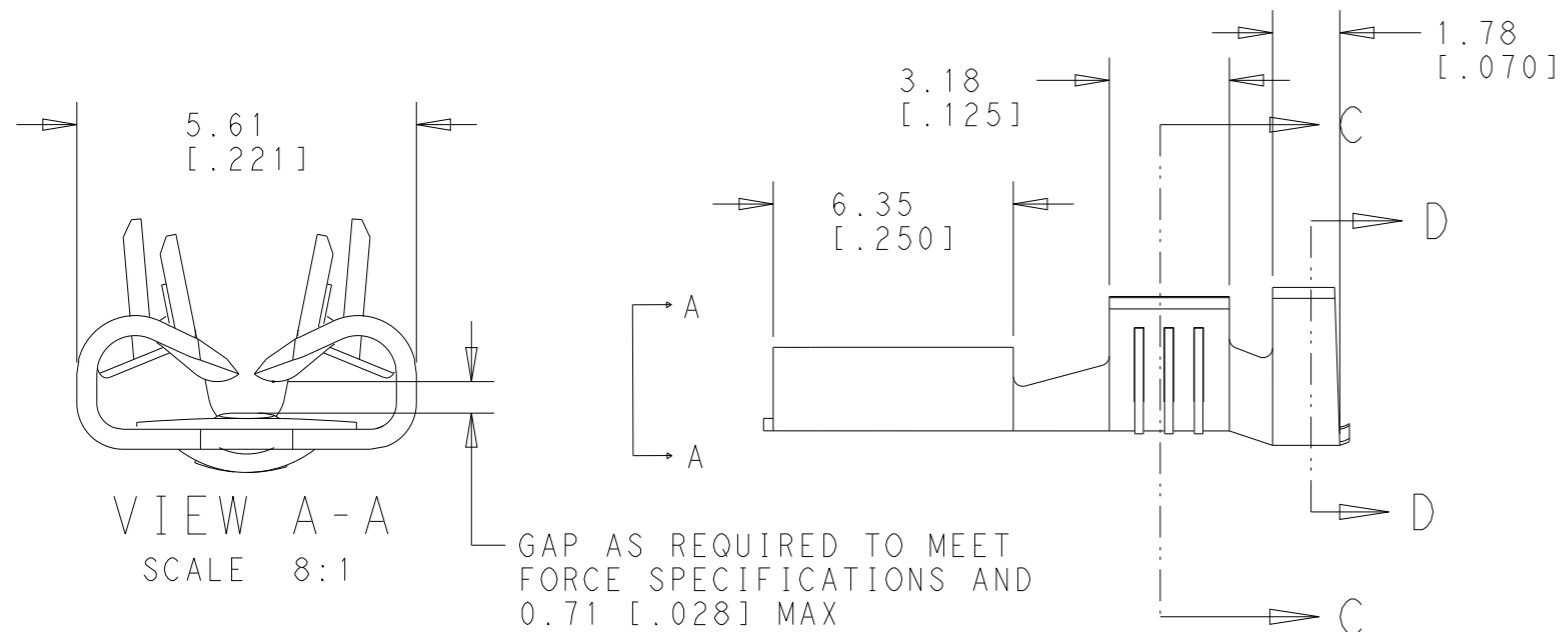
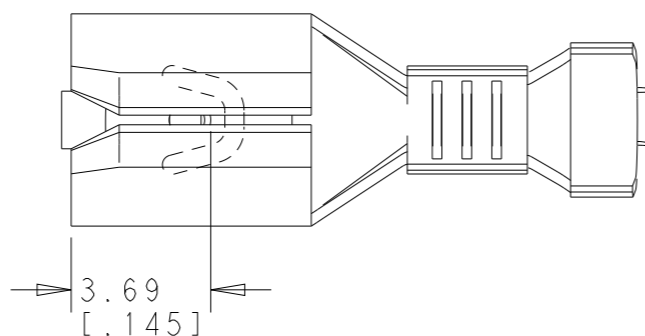



REVISIONS

P	LTR	DESCRIPTION	DATE	DWN	APVD
	A1	REVISED PER ECO-18-002715	21FEB2018	RS	DH
	A2	REVISED PER ECR-20-009164	22.07.2020	MK	DH
	A3	REVISED PER ECN-23-199026	17FEB2023	BKW	WM

- 1 CONTINUOUS STRIP ON REELS.
- 2 WIRE SIZE #20-#16 AWG
- 3 INSULATION RANGE 2.29-3.30 [.090-.130] DIA
- 4 MATING TAB THK 0.84-0.76 [.033-.030]



TIN	BRASS	2238198-3
FINISH	MATERIAL	PART NO.

THIS DRAWING IS A CONTROLLED DOCUMENT.		DWN 05JAN2018 BASVESH WARAD	 TE Connectivity														
DIMENSIONS: mm [INCHES]		CHK 05JAN2018 HUMPHREY, DAVID			NAME FASTON 187 STD REC F-CR 20-16 TPBR												
TOLERANCES UNLESS OTHERWISE SPECIFIED:		APVD 05JAN2018 HUMPHREY, DAVID	PRODUCT SPEC	RESTRICTED TO													
<table border="0"> <tr> <td>0 PLC</td> <td>±-</td> </tr> <tr> <td>1 PLC</td> <td>±-</td> </tr> <tr> <td>2 PLC</td> <td>±0.25 [.010]</td> </tr> <tr> <td>3 PLC</td> <td>±-</td> </tr> <tr> <td>4 PLC</td> <td>±-</td> </tr> <tr> <td>ANGLES</td> <td>±5°</td> </tr> </table>		0 PLC	±-	1 PLC	±-	2 PLC	±0.25 [.010]	3 PLC	±-	4 PLC	±-	ANGLES	±5°	APPLICATION SPEC	SIZE	CAGE CODE	DRAWING NO
0 PLC	±-																
1 PLC	±-																
2 PLC	±0.25 [.010]																
3 PLC	±-																
4 PLC	±-																
ANGLES	±5°																
MATERIAL SEE TABLE		FINISH SEE TABLE	WEIGHT	A3	00779	C-2238198											
CUSTOMER DRAWING			SCALE	SHEET	REV												
			5:1	1 OF 1	A3												