



### Electrical Specifications

**Center Frequency:** 12500 MHz  
**Passband (PB):** 12500-24500 MHz  
**PB Insertion Loss:**  $\leq 2.0$  dB @ 12500-13000 MHz  
 $\leq 1.0$  dB @ 13000-24500 MHz  
**PB VSWR:**  $\leq 1.6:1$  @ 12500-20000 MHz  
 $\leq 1.8:1$  @ 20000-24500 MHz  
**Stop Band Attenuation:**  $\geq 60$  dB @ DC~11400 MHz  
**Impedance:** 50 Ohms  
**Power:**  $\leq 15$  Watt

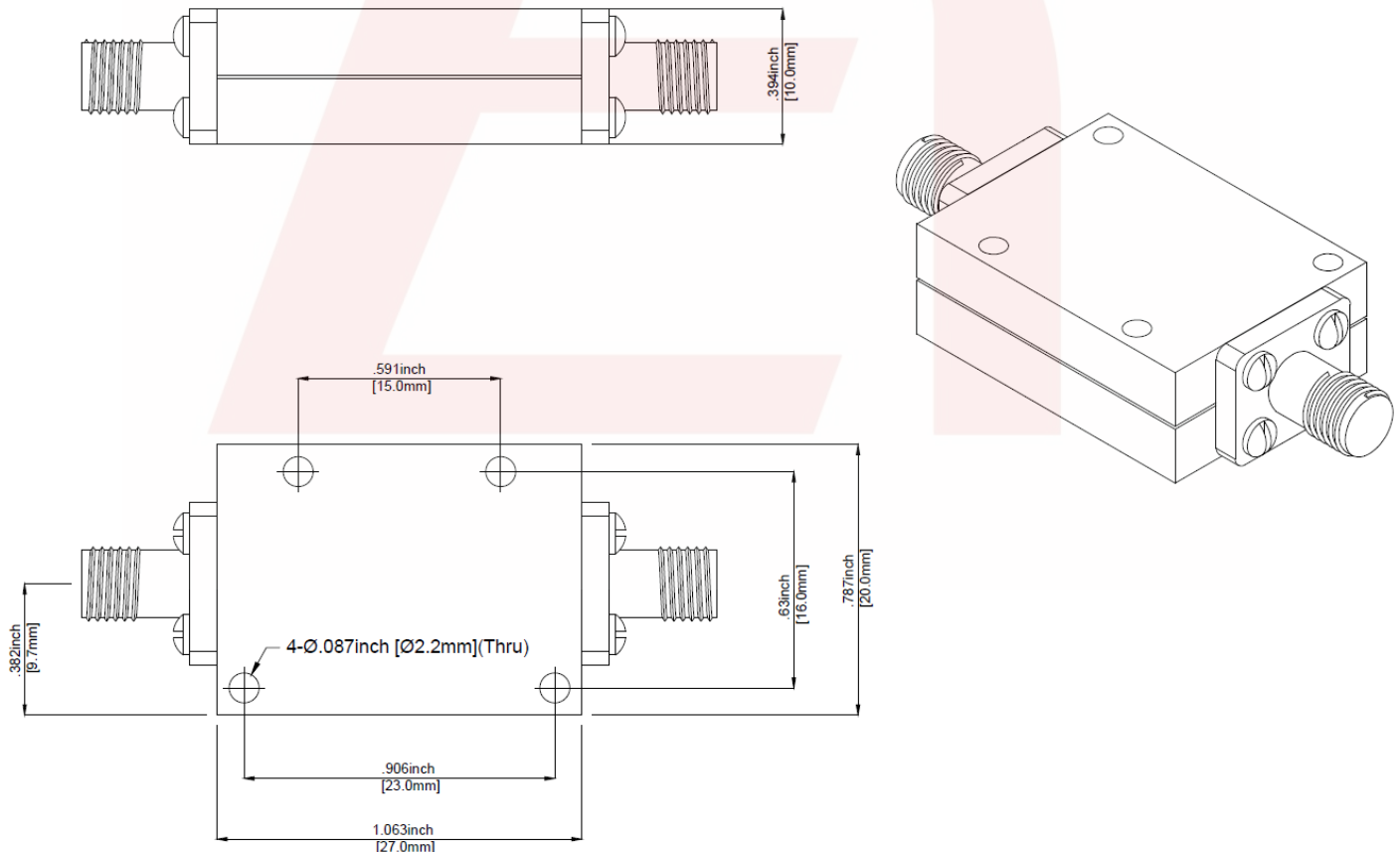
### Mechanical

**Mounting Method:** Thru Holes  
**Connector Type:** SMA (F)  
**Dimensions:** 27 x 20 x 10 mm

### Environmental

**Operating Temperature:**  $-40^{\circ}\text{C}$  to  $+80^{\circ}\text{C}$   
**Storage Temperature:**  $-55^{\circ}\text{C}$  to  $+100^{\circ}\text{C}$   
**Shock:** 20 G. 11ms  
**Vibration:** 20 G. 5 to 200 Hz

### Outline Drawing:



DS-H9911-10112018-Rev0