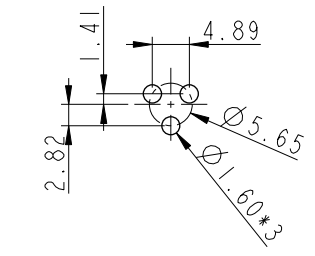
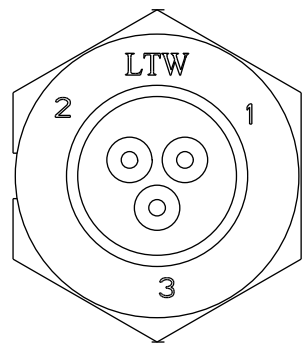
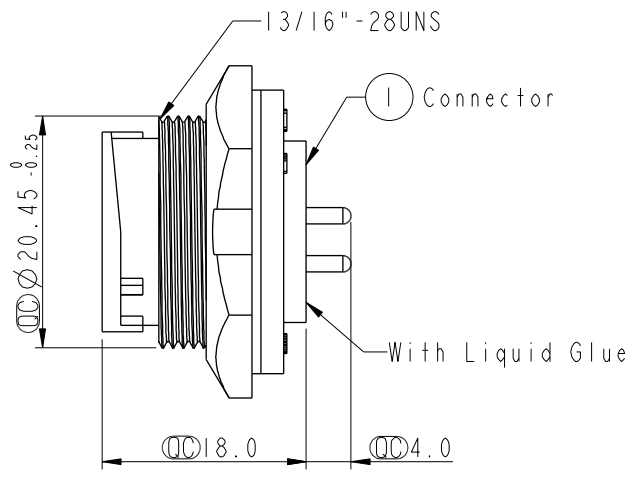
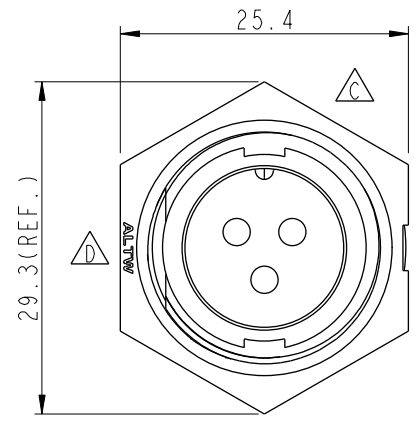
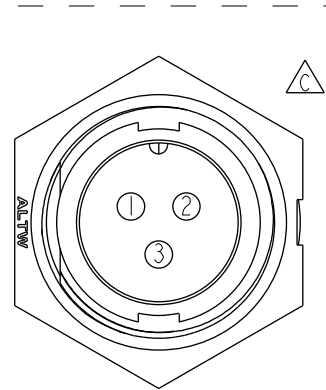


THIS DOCUMENT IS SUBJECT TO CHANGE WITHOUT NOTICE. IT IS CONFIDENTIAL AND A PROPERTY OF Amphenol LTW. DISCLOSURE TO THIRD PARTY HAS TO BE AUTHORIZED BY Amphenol LTW.

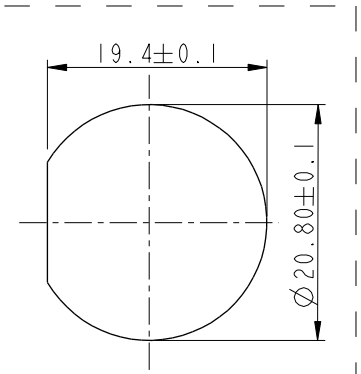
REV.	ECN NO.	DATE	SIGN	DESCRIPTION
B	LEN-8B0052	2008/10/03	Shin	Add Note
C	LEN-090205	2010/09/07	WuHaiYan	Delete Logo
D	CI90271	2019/02/27	Ruru	Modify Note & Change Logo



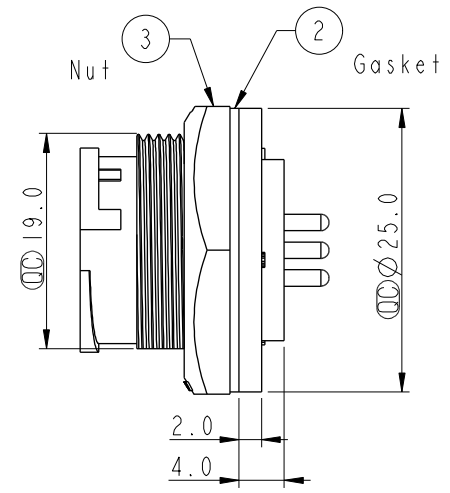
3Pin Male Connector
Female Pin PCB Layout



Pin Assignments
Front View



Recommended
Panel Cut-Out



Note: \triangle

- * CC Important Dimension.
- * Waterproof Rate: IP67, Unmated
- * Housing: Thermoplastic, Black
- * Pin: Copper Alloy, Gold Plated
- * Nut: Thermoplastic, Black
- * Gasket: Rubber, Black
- $\triangle B$ * Use with waterproof cap or dust cap
Panel Thickness Max: 3.0mm
- $\triangle A$ * Use without waterproof cap or dust cap
Panel Thickness Max: 4.0mm
- * Gasket and Nut are packed separately in PE bags.

UNIT:mm		
TOLERANCE	.X ±0.25	
	.XX ±0.1	
	.XXX ±0.05	
ANGLES	±1°	

TITLE Lock Type Connector For Panel Mount Male Connector Male Pin (20A)			
SCALE 1:1	SIZE A4	SHEET 1 OF 1	
REV. D	WC-REV. A.2	CC : Inspection item	

Amphenol LTW
安費諾亮泰企業股份有限公司

ITEM NO. CC-03PMMP-LC7001	DRAWN BY Ruru	DATE 2019-02-27
DWG NO. CC-03PMMP-LC7001	CHECKED BY Rita	DATE 2019-02-27
CUSTOMER ALTW	APPROVED BY Max	DATE 2019-02-27