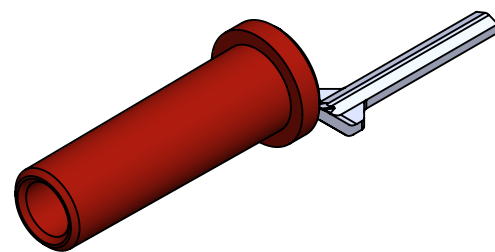
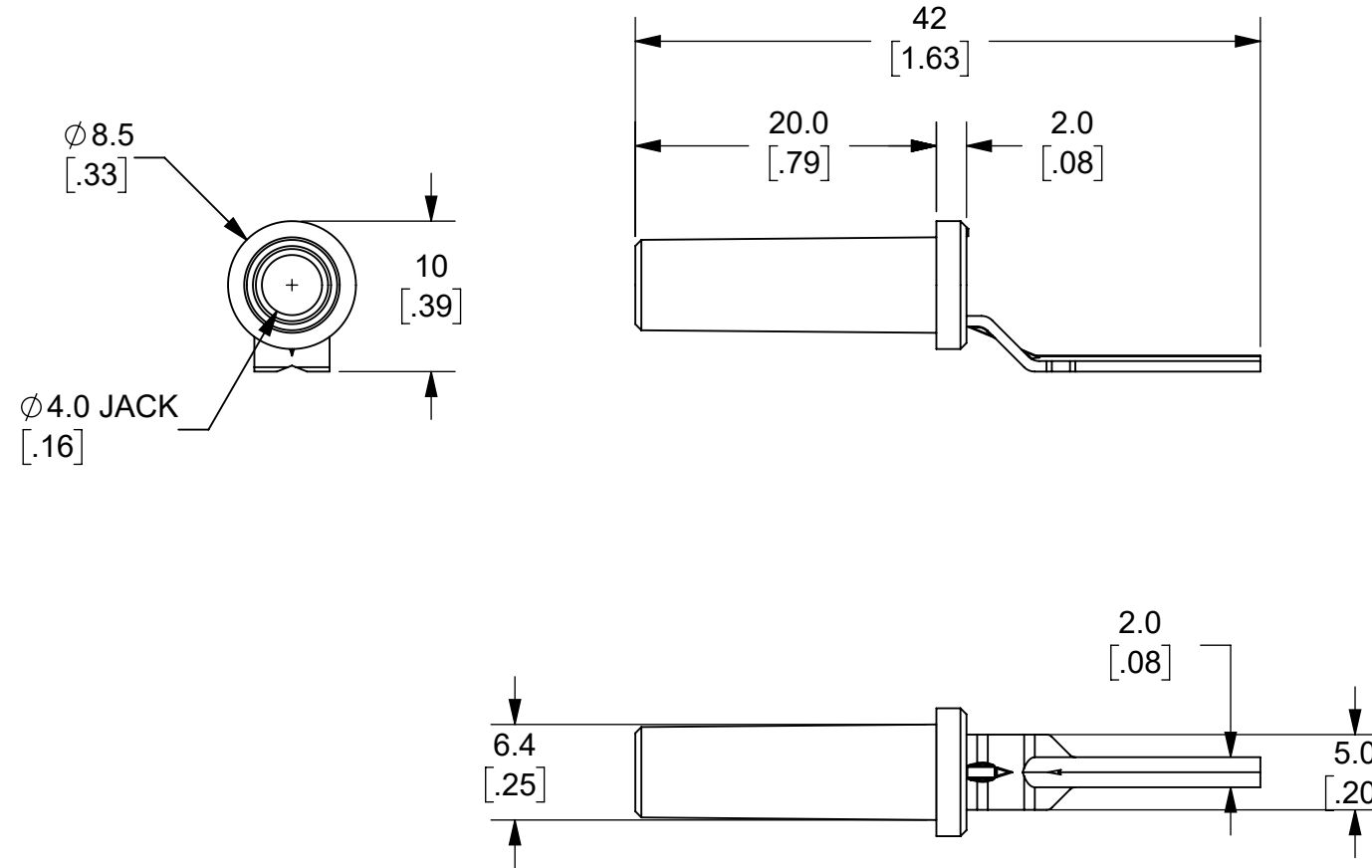


THIS IS ISSUED IN STRICT CONFIDENCE THAT IT IS NOT USED AS A BASIS FOR MANUFACTURE OR SALE AND THAT IT IS NOT COPIED, REPRINTED OR DISCLOSED TO A THIRD PARTY EITHER WHOLLY OR IN PART WITHOUT THE PRIOR WRITTEN CONSENT OF CAL TEST ELECTRONICS, INC.

REVISIONS			
REV.	DESCRIPTION	DATE	APPROVED

NOTES:


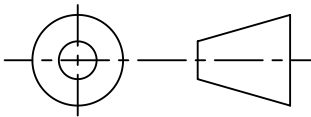
- MATERIAL:
INSULATOR: PP-704
JACK: BRASS, Ni PLATED
- RATING:
CURRENT: 30 A MAX.
RESISTANCE: $\leq 5 \text{ m}\Omega$
- RoHS 2 COMPLIANT



ISOMETRIC VIEW

CT4425-2	RED	-
CT4425-0	BLACK	-
PART NUMBER	CONFIGURATION	NOTES / REFERENCE

PART NUMBER TABLE

THIRD ANGLE PROJECTION		UNLESS OTHERWISE SPECIFIED DIMENSIONS ARE IN MILLIMETERS TOLERANCES ARE: X.X = ± 0.5 X.X* = $\pm 0.5^*$ X.XX = ± 0.25 X.XXX = ± 0.125 DO NOT SCALE DRAWING		PROJECT NO.	METRIC		 22820 Savi Ranch Prky. Yorba Linda, CA 92887 USA	
	MATERIAL SEE NOTES	APPROVALS	DATE	TITLE TERMINAL BLOCK ADAPTER				
		DRAWN GSG	10/11/2021	SIZE	CAGE CODE	DWG. NO.	REV.	
REFERENCE	TREATMENT N/A	CHECKER B. HANSEN	10/11/2021	B	43F45	CT4425	A	
	FINISH SEE NOTES	ENGR. B. HANSEN	6/1/2021	SCALE	2:1	SHEET 1 OF 1		