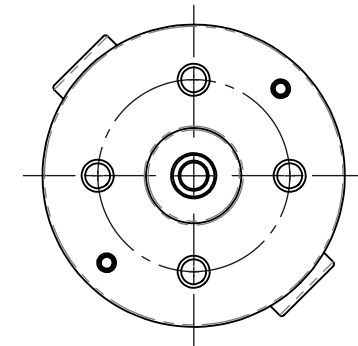
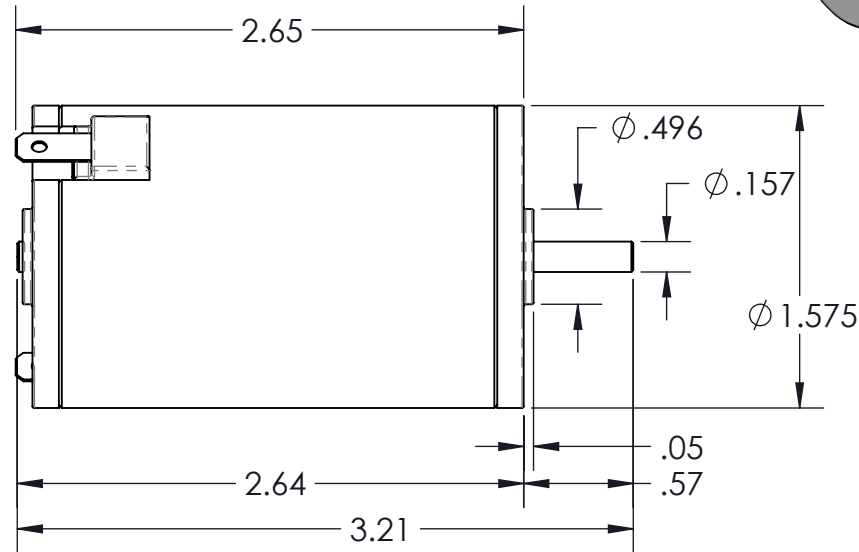
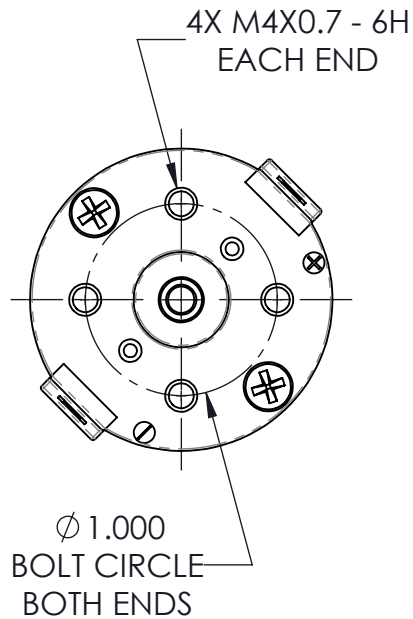
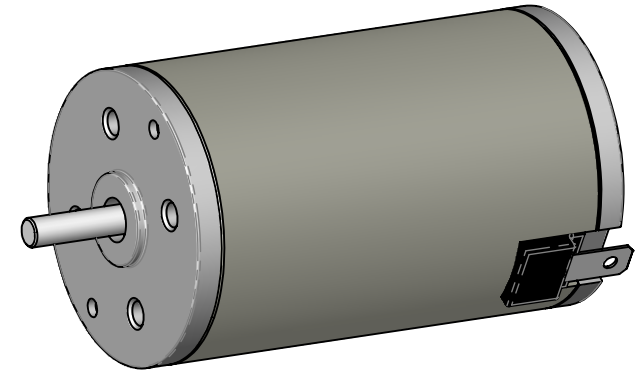


NOTES: UNLESS OTHERWISE SPECIFIED
 1. DIMENSIONS ARE FOR REFERENCE ONLY



SOHO PART#: 7E4065B-27058-28Y
 DUAL BALL BEARINGS
 RATED VOLTAGE: 12 V DC
 NO LOAD SPEED: 3000 RPM
 NO LOAD CURRENT: 0.12 A

LOADED SPEED @ 2.5 OZ-IN: 2538 RPM
 LOADED CURRENT @ 2.5 OZ-IN: 1.8 A
 STALL TORQUE: 17.0 OZ-IN
 STALL CURRENT: 3.5 A

TOLERANCES

X.XX : ±.010
 X.XXX : ±.005
 FRACTION: ±1/64
 ANGLE: ±2°

UNLESS OTHERWISE SPECIFIED



MULTI PRODUCTS
 Company, Inc.

PART NAME/DESCRIPTION: **SOHO 12 VOLT DC MOTOR**

DRAWN BY: PJ	DATE: 8/4/2008	SCALE: 1:1	MATERIAL: VARIOUS
--------------	----------------	------------	-------------------

CHK'D BY: -	DATE:	PART NUMBER:	DCM-1014
-------------	-------	--------------	-----------------

APPR'D BY: -	DATE:		
--------------	-------	--	--

REV.	DESCRIPTION	DATE	ECO#