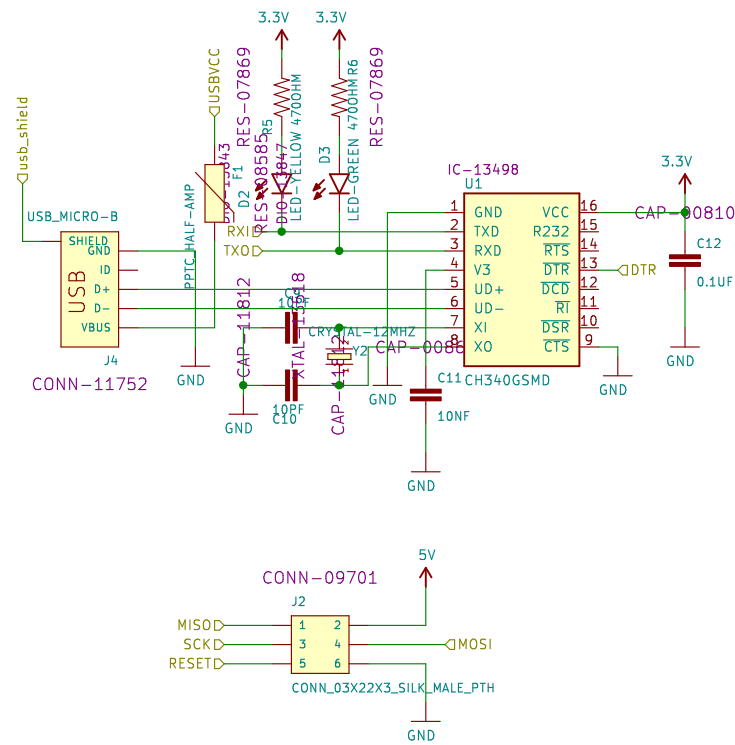
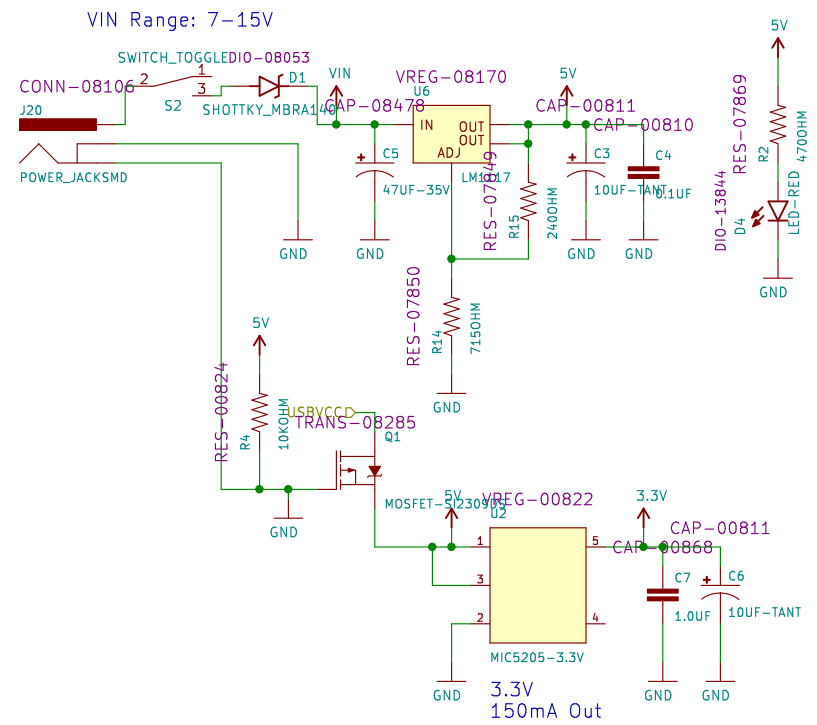


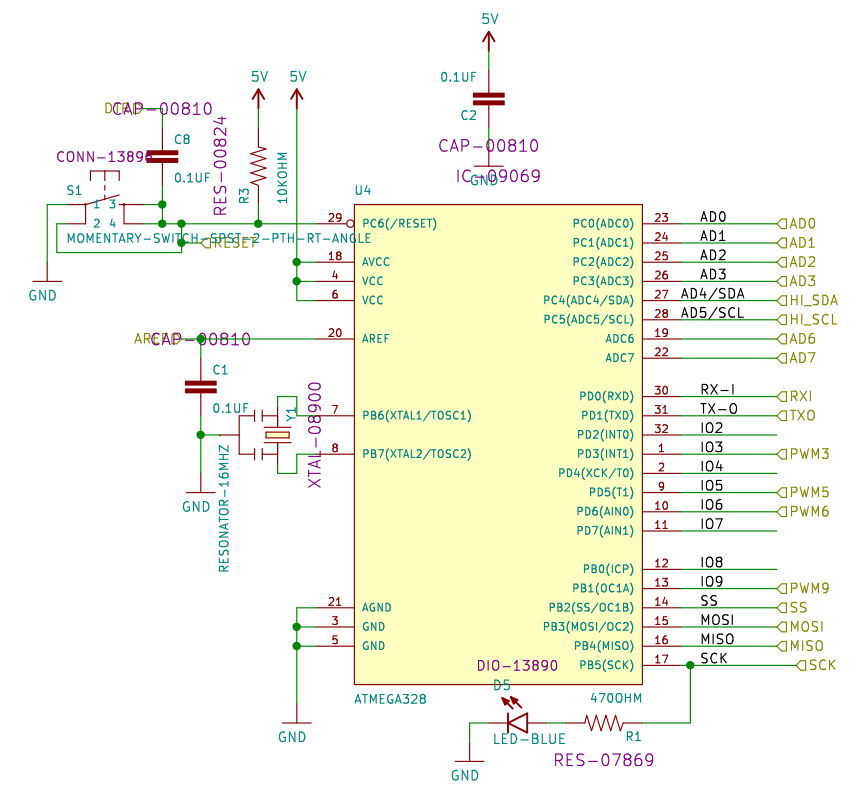
USB to Serial



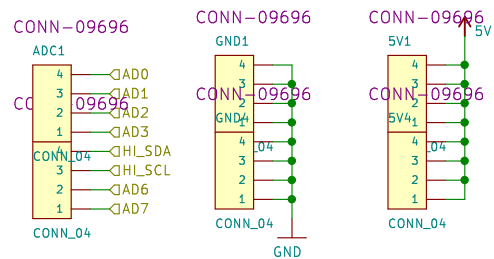
Power Supply



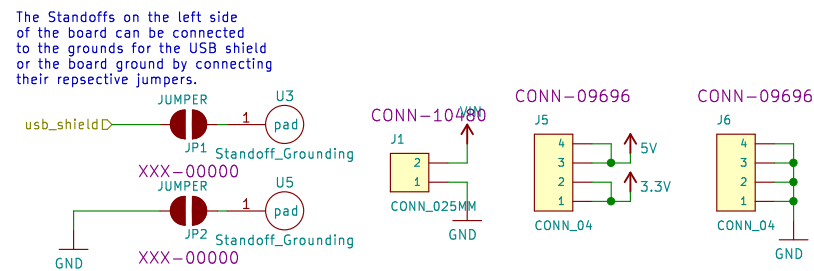
ATmega328



ADC Headers

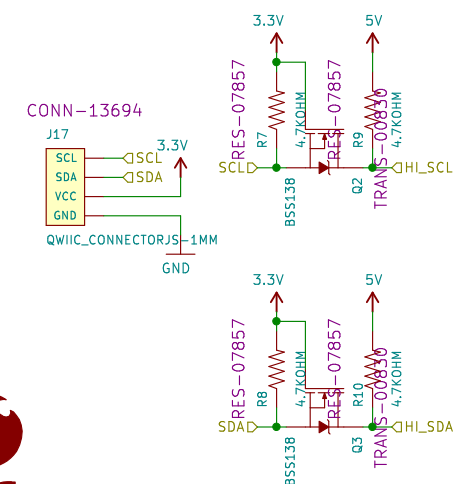


Power Headers

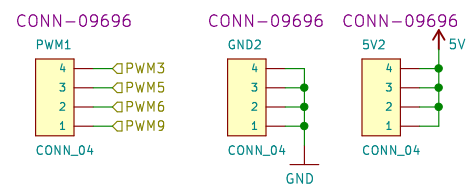


Qwiic Headers and Logic Shifting

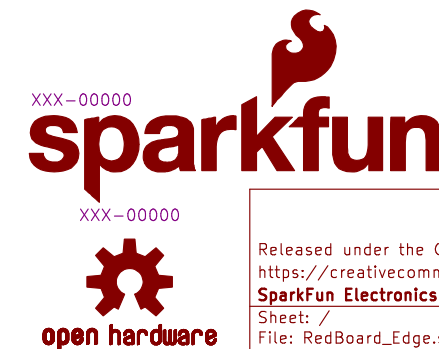
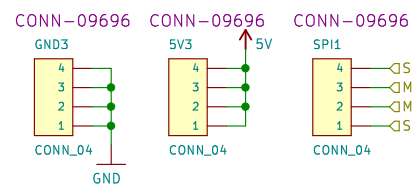
The Qwiic system operates at 3.3V.
The regular I2C pins on the board operate at 5V



PWM Headers



SPI Headers



Released under the Creative Commons Attribution Share-Alike 4.0 License
<https://creativecommons.org/licenses/by-sa/4.0/>
SparkFun Electronics
 Sheet: /
 File: RedBoard_Edge.sch
Title: RedBoard Edge Design by: Nick Poole Revised by: Andy England
 Size: B Date: 23 JUN 2017 Rev: v10
 KiCad E.D.A. kicad 4.0.7 Id: 1/1