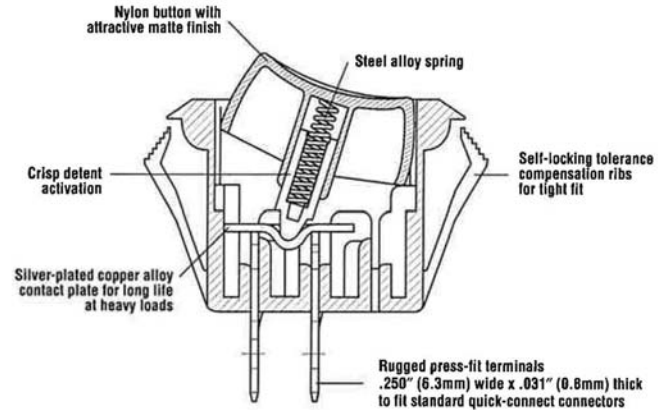


Single-Pole Rocker Switch GR Series



Features

- Optional wire leads available
- Available in a variety of colors
- Single and double throw options
- Mechanical life: min. 50,000 operations

Electrical Ratings				
Switch Series	EN61058 Rating	UL1054 Rating	Electrical Life at Rated Load	
			According to VDE (Min. Operations)	According to UL (Min. Operations)
GR	N/A	15A, 125VAC; 10A, 250VAC	N/A	6,000

Electrical Specifications		Material Specifications	
Ratings:	15A, 125VAC; 10A, 250VAC (UL, CSA)	Actuator (non-lighted):	Nylon 66 94V-2
Dielectric Strength:	1000VAC for 1 minute	(lighted):	Polycarbonate
Insulation Resistance:	100M ohms min at 500VDC	Housing:	Nylon 66 94V-2
Initial Contact Resistance:	.020 ohms max	Spring:	Steel Wire
Temperature Range:	-20°C to + 85°C (UL)	Contact Plate:	Copper Alloy
		Terminals:	Tin-Plated Copper Alloy

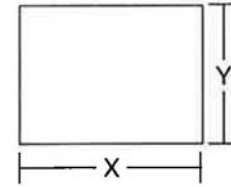
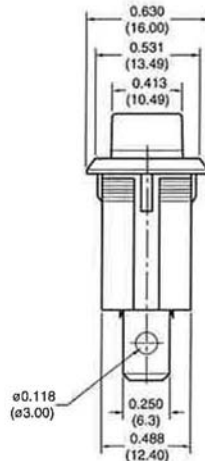
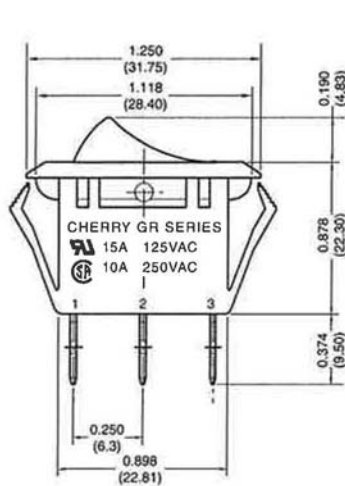


RoHS Compliant
UL File No: E23301

Specifications subject to change without notice.



Single-Pole Rocker Switch GR Series



Z = Panel Thickness

Recommended Panel Cut-Out Dimensions

Dim. Z	Dim. X	Dim. Y
0.030 to 0.049 (0.76 to 1.25)	1.120 (28.45)	0.535 (13.59)
0.049 to 0.079 (1.25 to 2.01)	1.130 (28.70)	0.535 (13.59)
0.079 to 0.118 (2.01 to 3.00)	1.150 (29.21)	0.535 (13.59)

GR	F	2	2	N	2	F	B	B	N	
Series	Code	Circuitry	Code	Switch Function	Code	Actuator Type	Code	Housing Color	Code	Lighted
	2	Single Pole	2	On - Off	2	Curve	B	Black	N	Non-Lighted
			3	On-On			W	White	L	Lighted (Bulb 125VAC)
							Y	Grey	E	Lighted (Bulb 250VAC)
									G	Lighted 6VDC Incandescent
									H	Lighted 12VDC Incandescent
Code	Contact Rating									
F	15A, 125VAC; 10A, 250VAC									
Code	Terminal type inches (mm)									
N	0.250 (6.3) Q.C Straight									
W	Wire Lead 16awg, UL1015 6" long, White									
Code	Actuator Marking									
B	Blank									
C	☐									
D	☐									
E	○									
F	○									
K	OFF ON									
Code	Actuator Color									
A	Amber									
B	Black									
G	Green									
M	Yellow									
R	Red									
W	White									
Y	Grey									
Code	Splashproof									
N	No Rocker Boot									

Examples of Common Part Numbers and Descriptions inches (mm)

Part Number	Circuitry	Switch Function	Terminal Type	Actuator/ Housing Color	Legend Marking
GRF22N2BBBNN		On - Off	0.250 (6.3) Quick-Connect	Black/ Black	
GRF22N2FBBNN		On - Off	0.250 (6.3) Quick-Connect	Black/ Black	
GRF23N2BBBNN		On - On	0.250 (6.3) Quick-Connect	Black/ Black	
GRF22N2BBRLN		On - Off/Lighted	0.250 (6.3) Quick-Connect	Red/ Black	

Contact

Call, fax or visit our Website for more information.

ZF Electronics Corporation
11200 88th Avenue
Pleasant Prairie, WI 53158

Phone: 262.942.6500
Web: www.cherrycorp.com
Email: cep_sales@zf.com
Fax: 262.942.6566

The manufacturer accepts no liability for errors or non-availability, and reserves the right to change specifications without prior notice.

Technical data relates to product specifications only. Features may differ from those described. Only drawings combined with product specifications shall be deemed binding.

© 2007 ZF Electronics Corporation

Last Updated: 1/20/11

