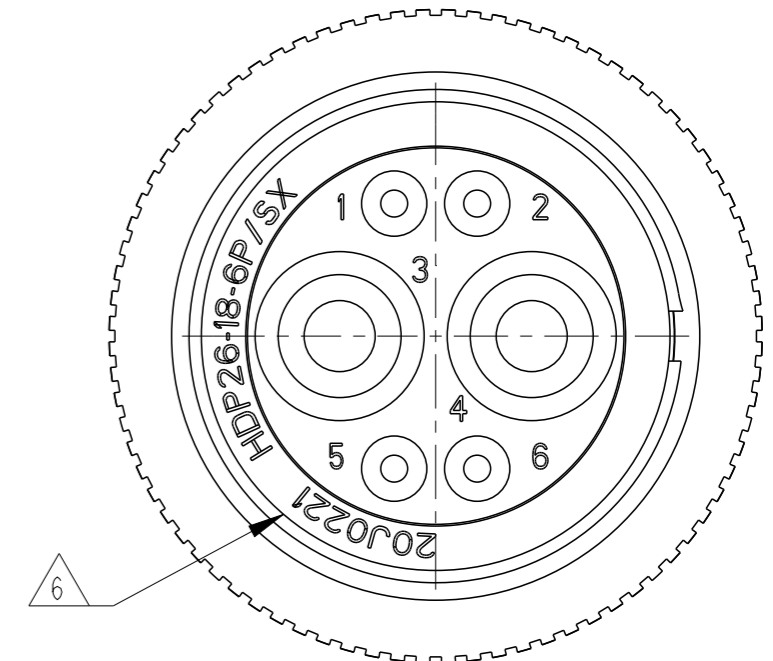
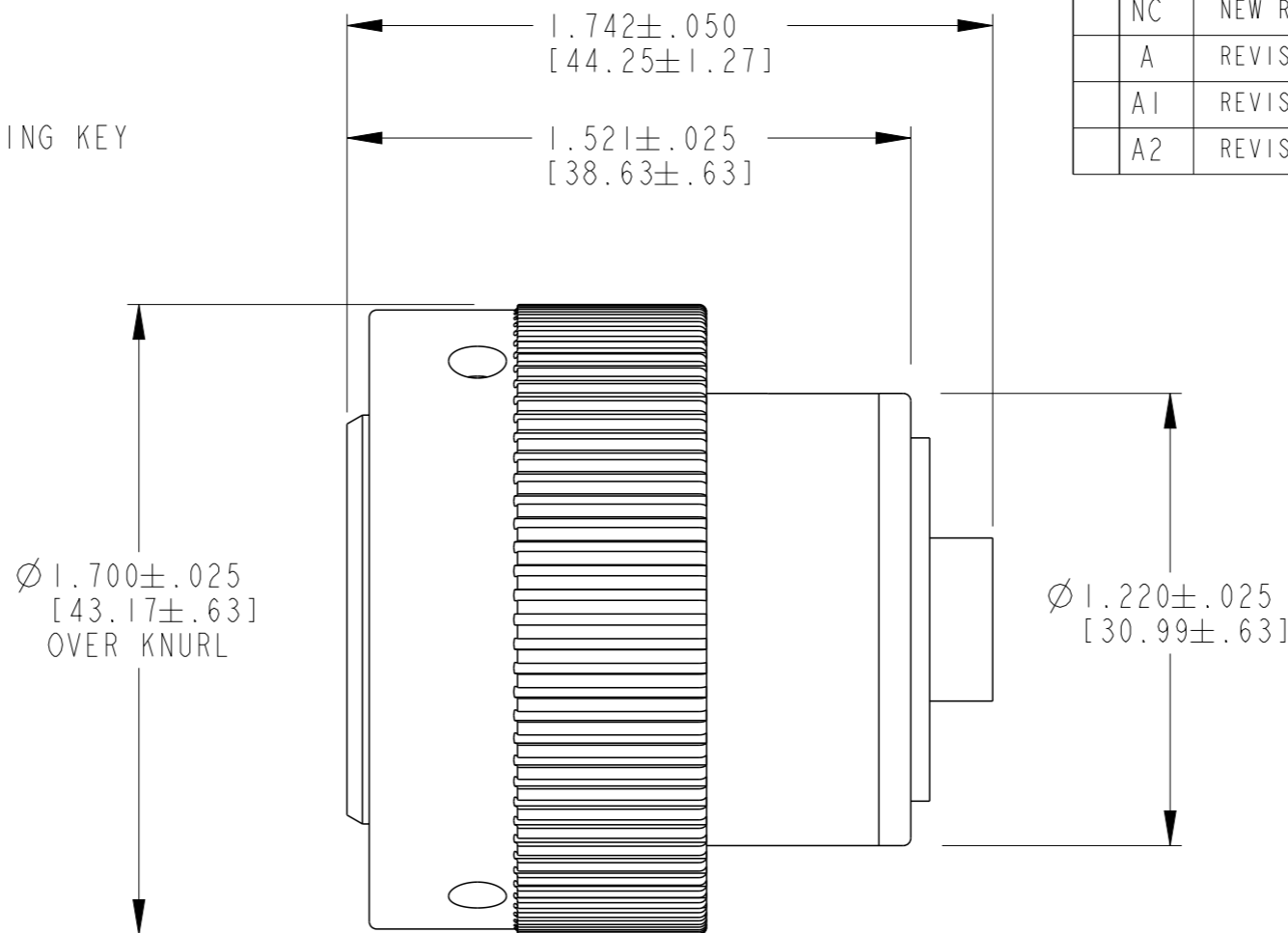
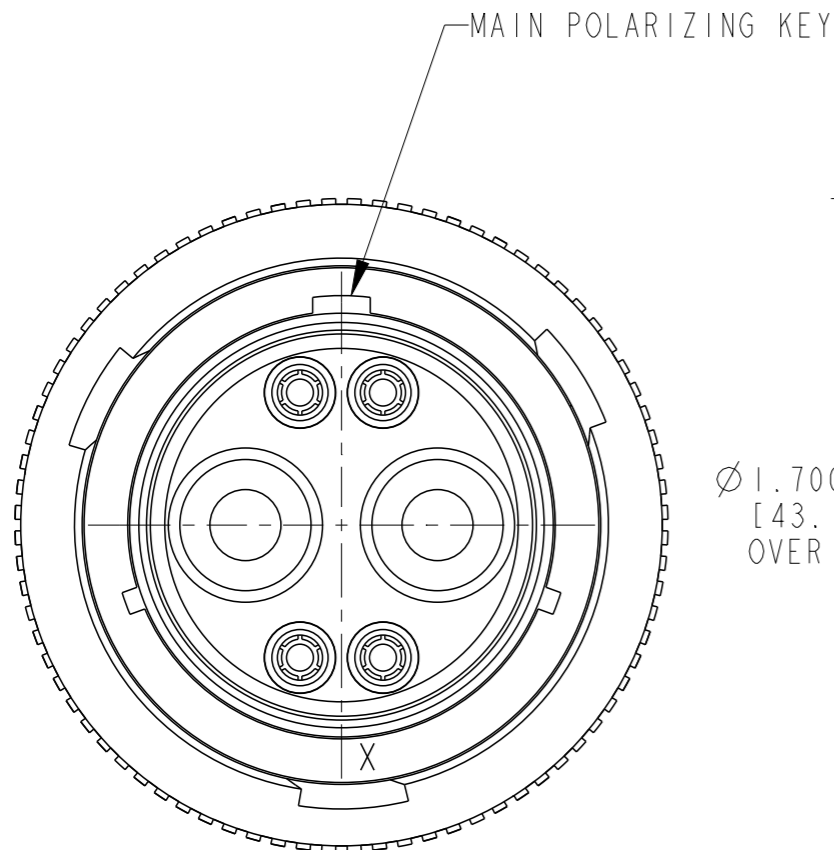


P	LTR	DESCRIPTION	DATE	DWN	APVD
NC		NEW RELEASE PER E.O. PI7330	02AUG2001	-	RDR
A		REVISED PER E.O. P20700	09NOV2010	-	RDR
A1		REVISED PER PCN E-20-013840	18SEP2020	MK	IG
A2		REVISED PER PCN E-20-017587	10MAR2021	CO	IG



2. THIS CONNECTOR WILL ACCOMODATE THE FOLLOWING WIRE INSULATION DIAMETERS.

SEAL TYPE 5	CONTACT SIZE	MIN INSULATION O.D.	MAX INSULATION O.D.	WIRE GAUGE AWG [mm ²] RANGE 3
N	16	.100 [2.54]	.134 [3.40]	14-20 [2.0 - 0.5mm ²]
E	16	.053 [1.35]	.120 [3.05]	14-20 [2.0 - 0.5mm ²]
N or E	4	.261 [6.63]	.292 [7.42]	6 [13mm ²]

6 DATE CODE: IDENTIFIES THE YEAR, MONTH, DAY AND HOUR OF ASSEMBLY.
 YEAR: FIRST AND SECOND DIGITS. (14=2014)
 MONTH: THIRD DIGIT, EXCLUDING I.A=JAN., B=FEB., C=MARCH...(K=OCT.)
 DAY: FOURTH AND FIFTH DIGIT (14=14th DAY)
 HOUR: SIXTH AND SEVENTH DIGIT (11=11AM)

5 WHEN * = N: NORMAL SEAL
 WHEN * = E: REDUCED DIAMETER E SEAL.

4. THIS PART MATES WITH HDP24-18-6P*-****.
 ****= ALL MODIFICATIONS, *= TYPE OF SEAL.

3 FOR CONTACT AND WIRE PERFORMANCE AND APPLICATION CHARACTERISTICS SEE ENVELOPE DWG. 0425-015-0000 and 0425-021-0000.

1. CONSULT FACTORY FOR ELECTRICAL AND MATERIAL SPECIFICATIONS.

THIS DRAWING IS A CONTROLLED DOCUMENT.		DWN X. SANCHEZ 27JUN2001	TE Connectivity	
DIMENSIONS: INCH [MM]		CHK B. BYFORD 09NOV2010		
TOLERANCES UNLESS OTHERWISE SPECIFIED:		APVD S. BEARD 08NOV2010	NAME PLUG CONNECTOR 18-6 ARRANGEMENT HDP20 SERIES	
0 PLC ±-		PRODUCT SPEC 108-151015	SIZE A3	
1 PLC ±-		APPLICATION SPEC 114-151015	CAGE CODE 00779	DRAWING NO C-HDP26-18-6SX
2 PLC ±-		WEIGHT 40.4 g	RESTRICTED TO -	
3 PLC ±.025		CUSTOMER DRAWING	SCALE 2.000	SHEET 1 OF 1
4 PLC ±-			REV A2	
ANGLES ±-				
FINISH				
MATERIAL				