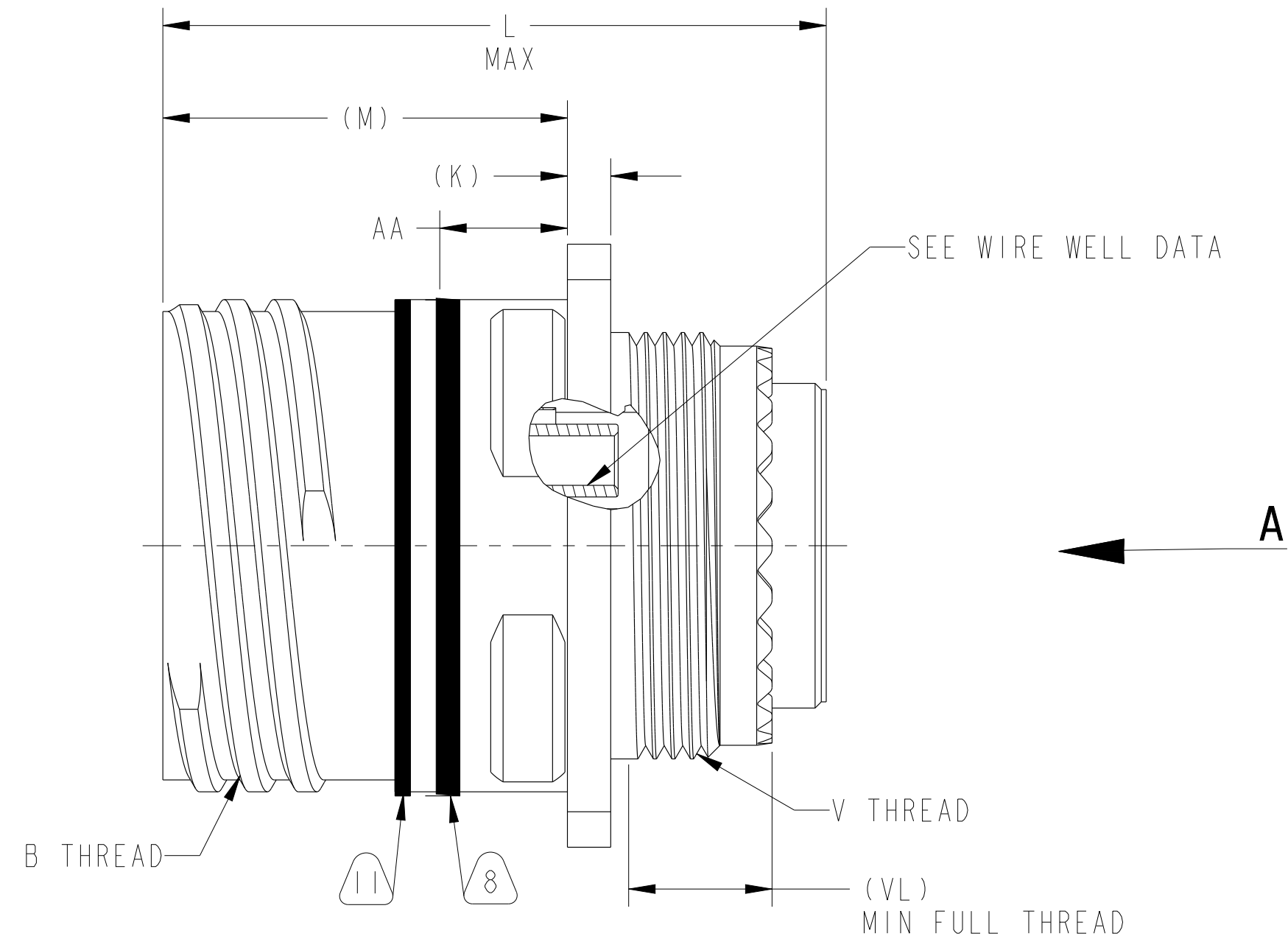
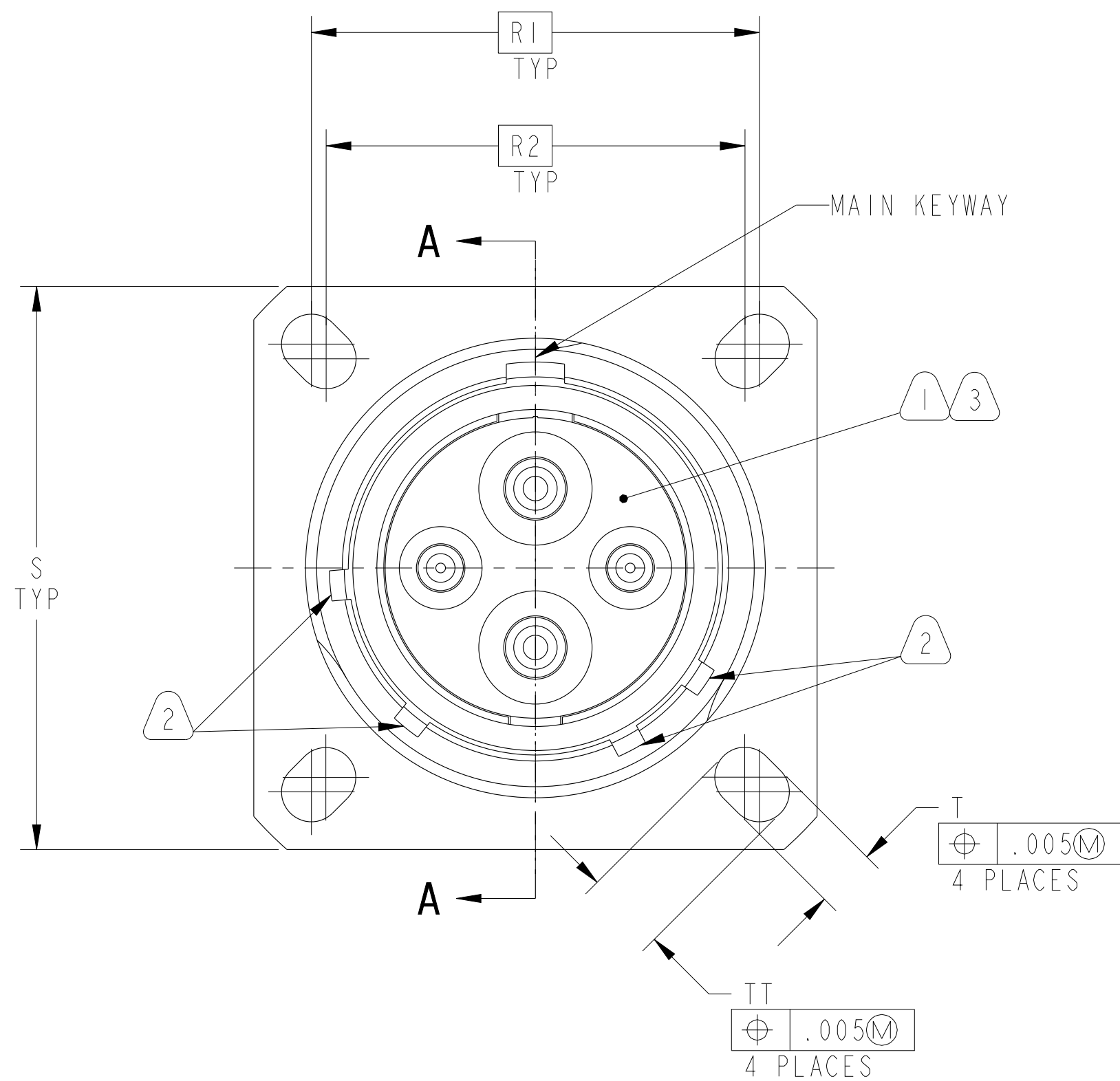
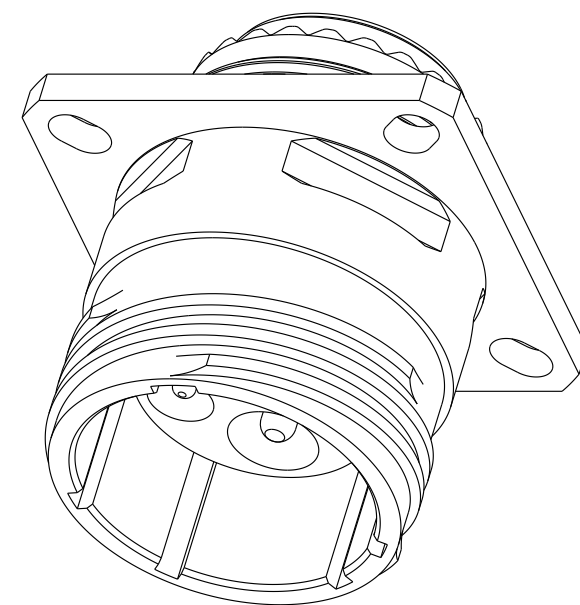


REV.	SHEET 1 OF 5	DOCUMENT NO. FX-778380/389
REVISIONS M		
LTR	DESCRIPTION	DATE
A	INITIAL RELEASE	

# TYPE I



PARTIAL SECTION A-A



ISOMETRIC VIEW  
SCALE 2.000

**PRELIMINARY  
DRAWING**  
PA1

NOTES: SEE SHEET 5

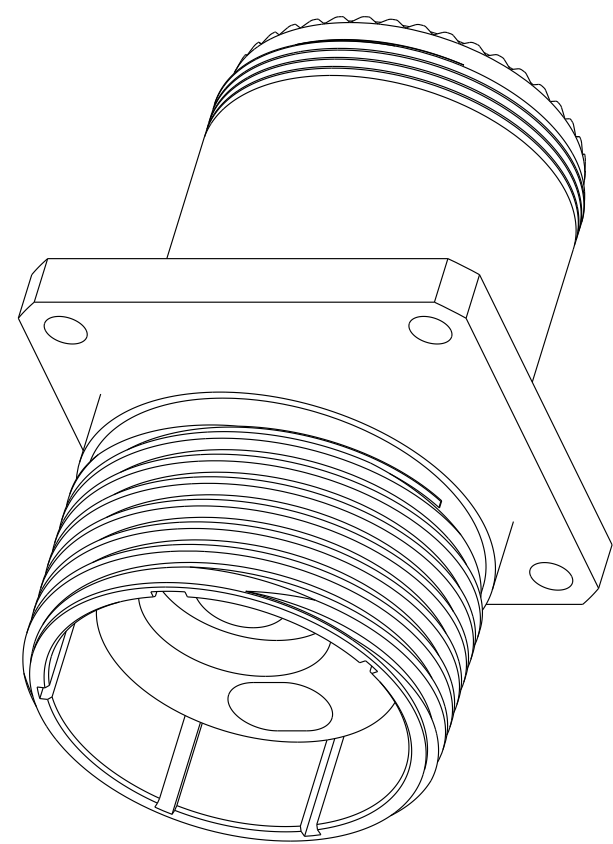
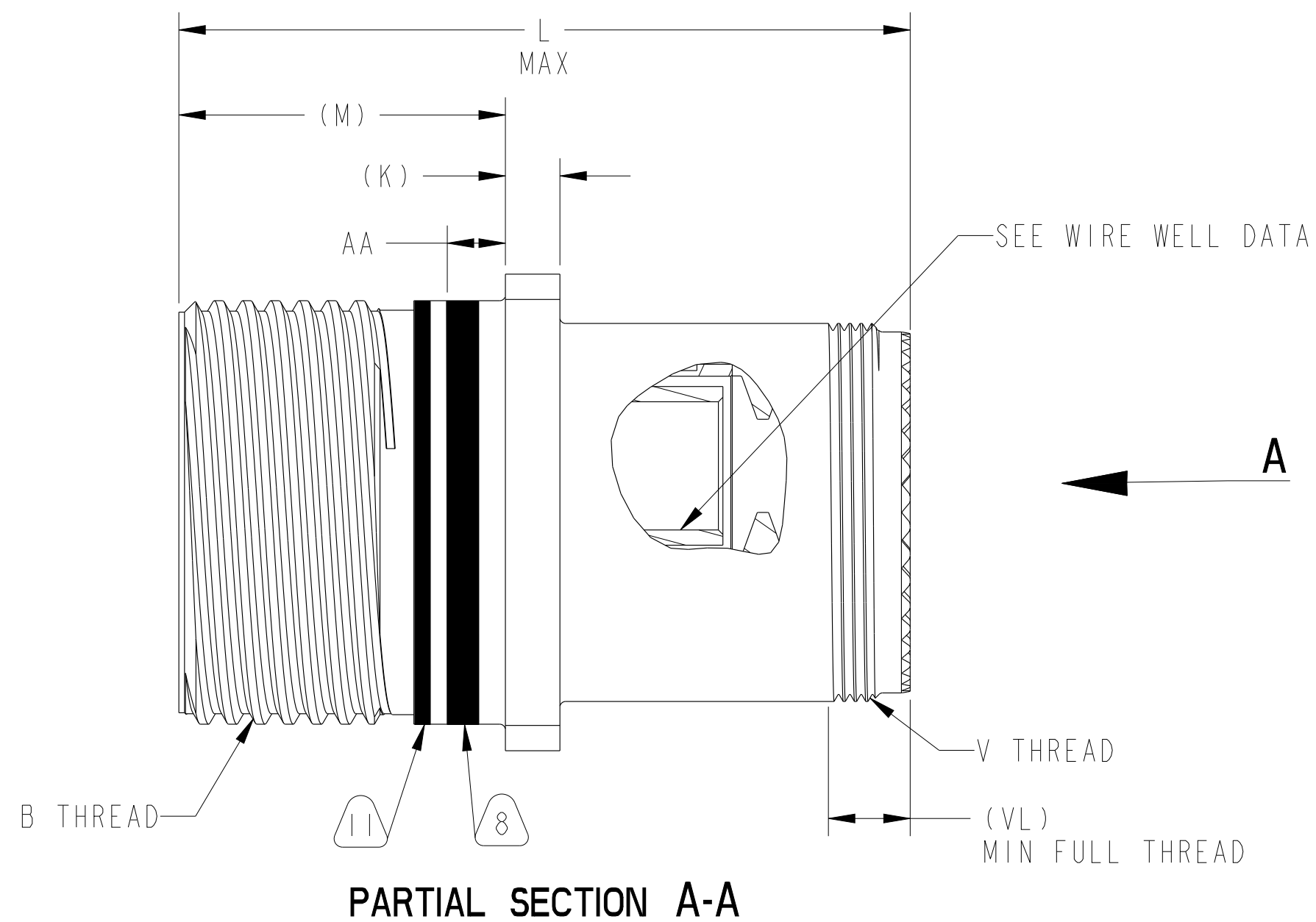
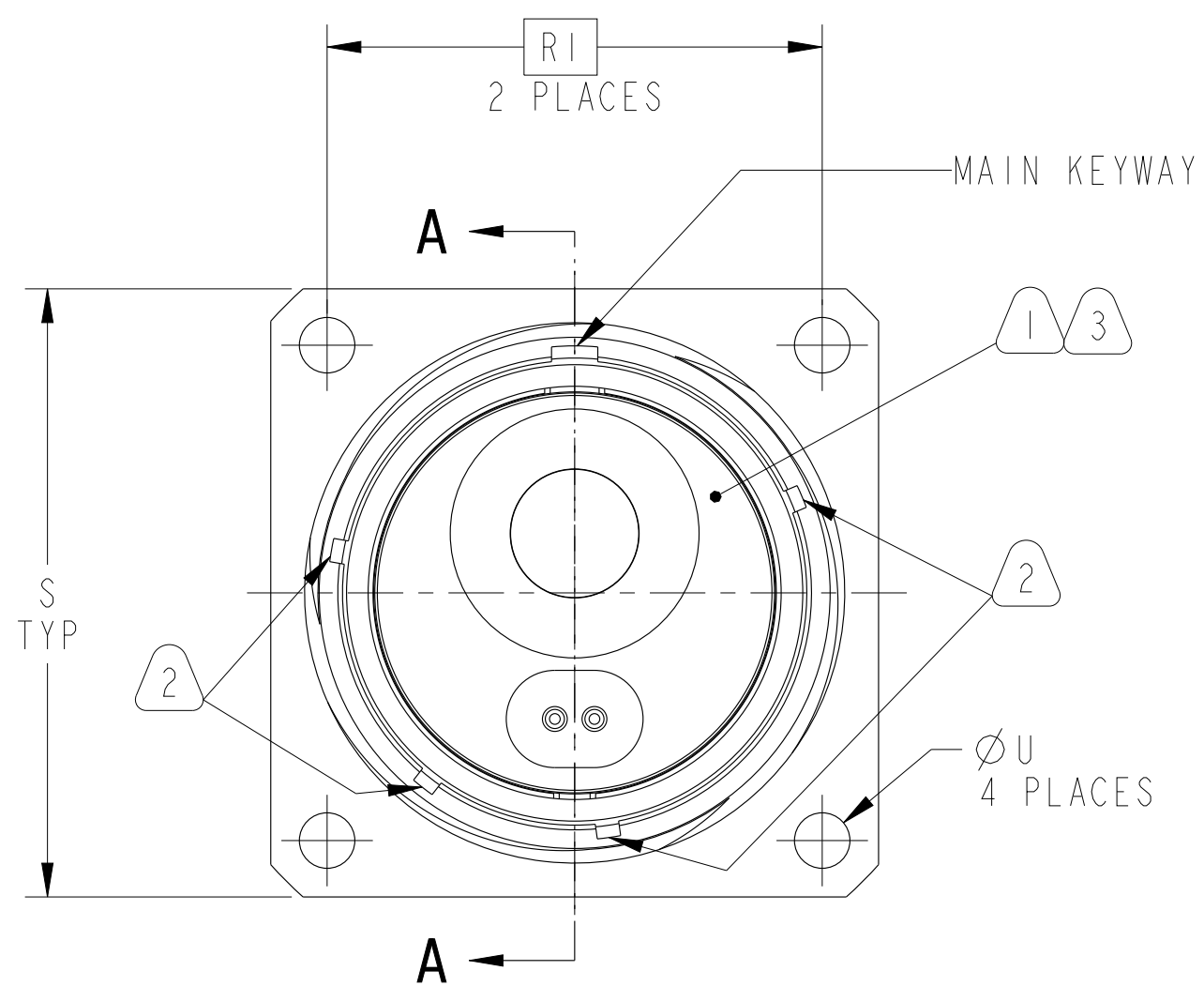
THE USE OF THIS DOCUMENT IS UNLIMITED. HOWEVER, DOCUMENTS REFERENCED HEREON MAY CONTAIN LIMITED RIGHTS DATA.

NONE  
NEXT ASSEMBLY

PRO/ENGINEER INFORMATION  
 Pro/e Model Used:  
 HVCOORF15-54P.ASSEM  
 Drawing Name:  
 FX-778380\_389

UNLESS OTHERWISE SPECIFIED		SPECIFICATIONS	POS	QTY	PART NUMBER	DESCRIPTION	NOTE	
LINEAR DIMENSIONS ARE IN INCHES TOLERANCES: .XXXX = ±.0005 ANGLES= ±2° .XXX = ±.010 .XX = ±.03 .X = ±.1		MATERIAL SPEC. NONE	APPROVALS		PARTS LIST			
DIM. & TOL. PER ASME Y14.5M; DRM PER MIL-STD-31000; OTHER Amphenol Stds. PER 9-3800		PROCESS SPEC. SEE NOTE 6	PREPARED BY S. HERMAN	DATE 22-Feb-21	<b>AMPHENOL CORPORATION</b> <small>40-60 DELAWARE AVENUE SIDNEY, N.Y. 13858</small>			
LEGENDS: = FLAG NOTE CALL OUT REFERENCE ONLY			ENGINEER IN CHARGE B. BALDWIN		<b>CONNECTOR, WALL MOUNT RECEPTACLE, TYPE HV00( ), ALUMINUM, HV38999</b>			
			DESIGN MANAGER B. BALDWIN		SIZE <b>C</b>	CAGE CODE <b>77820</b>	DOCUMENT NO. <b>FX-778380/389</b>	REV. -
			DESIGN ACTIVITY GROUP COM-AIR		SCALE: 3.5	REF. FX-778200/209 10-536192-DS FX-538200/209	SHEET 1 OF 5	

# TYPE II



**ISOMETRIC VIEW**  
SCALE 1.500

**PRELIMINARY  
DRAWING**  
PA1

NOTES: SEE SHEET 5

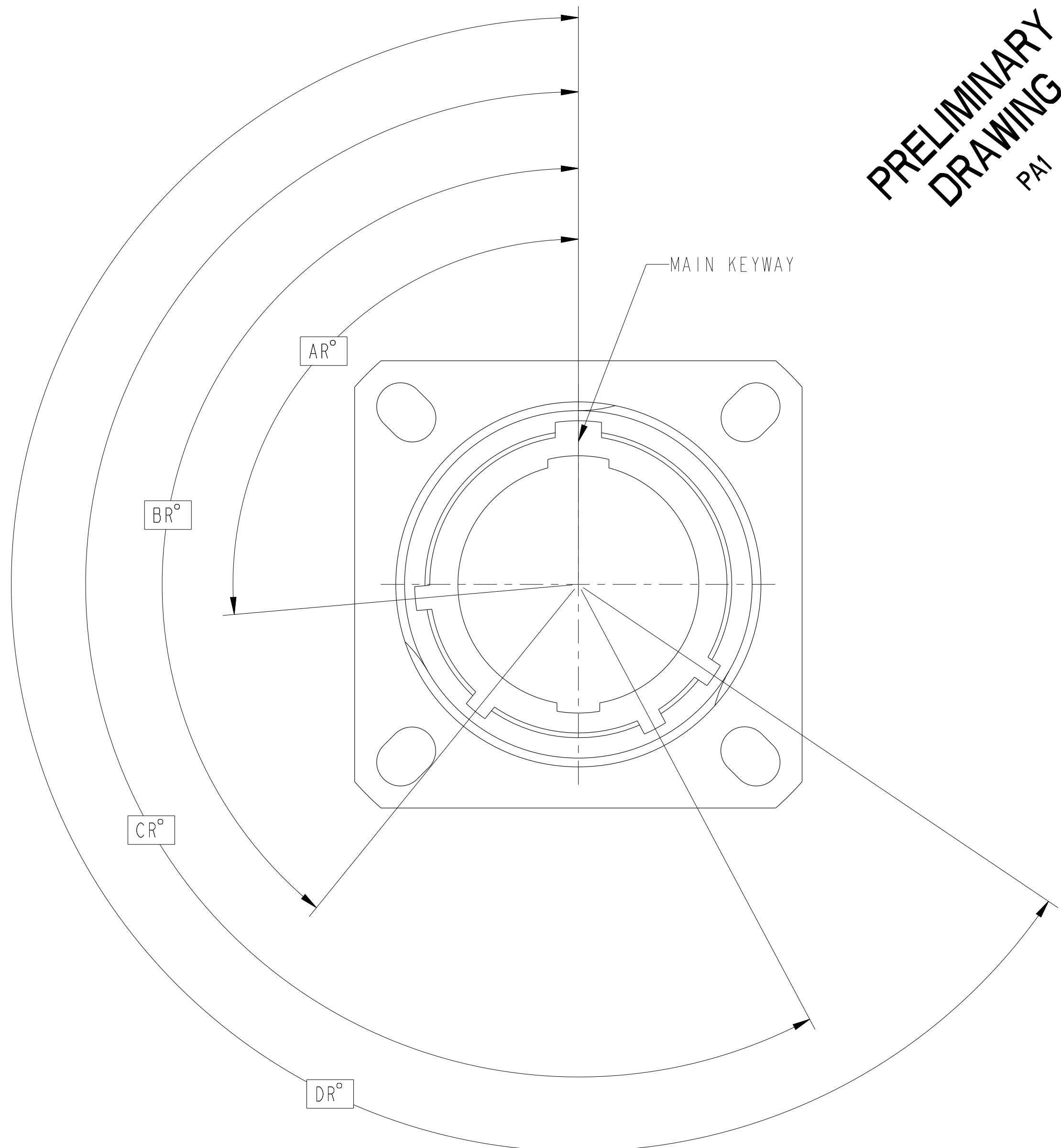
THE USE OF THIS DOCUMENT IS UNLIMITED.  
HOWEVER, DOCUMENTS REFERENCED HEREON  
MAY CONTAIN LIMITED RIGHTS DATA.

SIZE <b>C</b>	CAGE CODE <b>77820</b>	DOCUMENT NO. <b>FX-778380/389</b>	REV. -
SCALE: 2.0		REF: FX-778200/209	SHEET 2 OF 5

**PRELIMINARY  
DRAWING**  
PA1

TYPE I					
MINOR KEYWAY LOCATION TABLE					
SHELL SIZE	KEYWAY ARRANGEMENT IDENT. LETTER	AR°	BR°	CR°	DR°
11 THROUGH 15	NORMAL	95	141	208	236
	A	113	156	182	292
	B	90	145	195	252
	C	53	156	220	255
	D	119	146	176	298
17 THROUGH 25	NORMAL	80	142	196	293
	A	135	170	200	310
	B	49	169	200	244
	C	66	140	200	257
	D	62	145	180	280
	E	79	153	197	272

TYPE II				
MINOR KEYWAY LOCATION TABLE				
KEYWAY ARRANGEMENT IDENT. LETTER	AR°	BR°	CR°	DR°
NORMAL	80	142	188	293
A	135	170		310
B	49	169		244
C	66	140		257
D	62	145		280
E	79	153		272



NOTES: SEE SHEET 5

THE USE OF THIS DOCUMENT IS UNLIMITED. HOWEVER, DOCUMENTS REFERENCED HEREON MAY CONTAIN LIMITED RIGHTS DATA.

FX-778380/389


SHEET 4 OF 5

REV. -

C

B

A

ASSEMBLY NUMBER	CUSTOMER NUMBER (REF)	SHELL SIZE	CONNECTOR TYPE 	B THREAD PER 9-3200-2	(K)	L MAX	(M)	R1	R2	(S)	T ±.008	TT ±.008	∅U ±.003	V THREAD PER 9-7543	(VL) MIN	AA MAX PANEL THICKNESS
( )-778380-( )-( )-( )	HV00( )11-( )-( )-( )	11	TYPE I	.7500-0.1P-0.3L-TS	.080	1.370	.8175	.812	.719	1.031	.128	.194	N/A	M15 X 1-6g 0.100R	.280	.234
( )-778381-( )-( )-( )	HV00( )13-( )-( )-( )	13	TYPE I	.8750-0.1P-0.3L-TS	.080	1.370	.8175	.906	.812	1.125	.128	.194	N/A	M18 X 1-6g 0.100R	.280	.234
( )-778382-( )-( )-( )	HV00( )15-( )-( )-( )	15	TYPE I	1.000-0.1P-0.3L-TS	.080	1.370	.8175	.969	.906	1.219	.128	.173	N/A	M22 X 1-6g 0.100R	.280	.234
( )-778383-( )-( )-( )	HV00( )17-( )-( )-( )	17	TYPE I	1.1875-0.1P-0.3L-TS	.080	1.370	.8175	1.062	.969	1.312	.128	.194	N/A	M25 X 1-6g 0.100R	.280	.234
			TYPE II		.193	2.600	1.156		N/A		N/A	.129	TBD			
( )-778384-( )-( )-( )	HV00( )19-( )-( )-( )	19	TYPE I	1.2500-0.1P-0.3L-TS	.080	1.370	.8175	1.156	1.062	1.438	.128	.194	N/A	M28 X 1-6g 0.100R	.280	.234
			TYPE II		.193	2.600	1.156		N/A		N/A	.129	TBD			
( )-778385-( )-( )-( )	HV00( )21-( )-( )-( )	21	TYPE I	1.3750-0.1P-0.3L-TS	.110	1.370	.7875	1.250	1.156	1.562	.128	.194	N/A	M31 X 1-6g 0.100R	.280	.204
			TYPE II		.193	2.600	1.156		N/A		N/A	.129	TBD			
( )-778386-( )-( )-( )	HV00( )23-( )-( )-( )	23	TYPE I	1.5000-0.1P-0.3L-TS	.110	1.370	.7875	1.375	1.250	1.688	.154	.242	N/A	M34 X 1-6g 0.100R	.280	.204
			TYPE II		.193	2.600	1.156		N/A		N/A	.155	TBD			
( )-778387-( )-( )-( )	HV00( )25-( )-( )-( )	25	TYPE I	1.6250-0.1P-0.3L-TS	.110	1.370	.7875	1.500	1.375	1.812	.154	.242	N/A	M37 X 1-6g 0.100R	.280	.204
			TYPE II		.193	2.600	1.156		N/A		N/A	.155	TBD			
( )-778388-( )-( )-( )	HV00( )33-( )-( )-( )	33	TYPE II	1.8750-0.1P-0.3L-TS	.193	2.600	1.156	1.750	N/A	2.312	N/A	N/A	.210	M45 X 1.5-6g 0.188R	.594	TBD
( )-778389-( )-( )-( )	HV00( )37-( )-( )-( )	37	TYPE II	2.1250-0.1P-0.3L-TS	.193	2.600	1.156	1.922	N/A	2.484	N/A	N/A	.210	M50 X 1.5-6g 0.188R	.594	TBD

TO COMPLETE, ADD KEYWAY ROTATION (OMIT FOR NORMAL)

TO COMPLETE, SEE CONTACT TYPE TABLE

TO COMPLETE, ADD INSERT ARRANGEMENT

TO COMPLETE, SEE SERVICE CLASS TABLE

TO COMPLETE, SEE CONTACT TYPE TABLE

TO COMPLETE, ADD CONTACT GENDER/SHELL ROTATION SUFFIX PER 9-2437-25

TO COMPLETE, ADD INSERT ARRANGEMENT

TO COMPLETE, SEE SERVICE CLASS TABLE

**PRELIMINARY DRAWING**  
PA1

ASSY NO. PREFIX	CODED NO. PREFIX	FINISH
88-	RW	OLIVE DRAB CAD NICKEL BASE
91-	RF	ELECTROLESS NICKEL
F2-	DZ	BLACK ZINC NICKEL
F7-	DT	DURMALON

ASSY NO. DESIGNATION	CODED NO. DESIGNATION	CONTACT DRAWING NUMBER	DESCRIPTION
OMIT	P	10-770011-( )	PIN, SILVER PLATED
	S	10-770012-( )	SOCKET, SILVER PLATED
A	H	10-770008-( )	HIGH PERFORMANCE SOCKET, SILVER PLATED
B	R	10-770010-( )	RADSOK SOCKET, SILVER PLATED
C	GP	10-770011-( )	PIN, GOLD PLATED
	GS	10-770012-( )	SOCKET, GOLD PLATED
E	GH	10-770008-( )	HIGH PERFORMANCE SOCKET, GOLD PLATED
F	GR	10-770010-( )	RADSOK SOCKET, GOLD PLATED
L	A	N/A	LESS PIN CONTACTS
	B		LESS SOCKET CONTACTS

CONTACT SIZE	22D	16	12	8	4	0
WELL DIA	.0345±.0010	.067±.001	.100±.002	.181±.002	.281±.002	.453±.002
WELL DEPTH	.141 <sup>+.016</sup> <sub>-.000</sub>	.209 <sup>+.020</sup> <sub>-.000</sub>	.209 <sup>+.020</sup> <sub>-.000</sub>	.490 <sup>+.015</sup> <sub>-.000</sub>	.580 <sup>+.020</sup> <sub>-.000</sub>	

NOTES: SEE SHEET 5

THE USE OF THIS DOCUMENT IS UNLIMITED. HOWEVER, DOCUMENTS REFERENCED HEREON MAY CONTAIN LIMITED RIGHTS DATA.

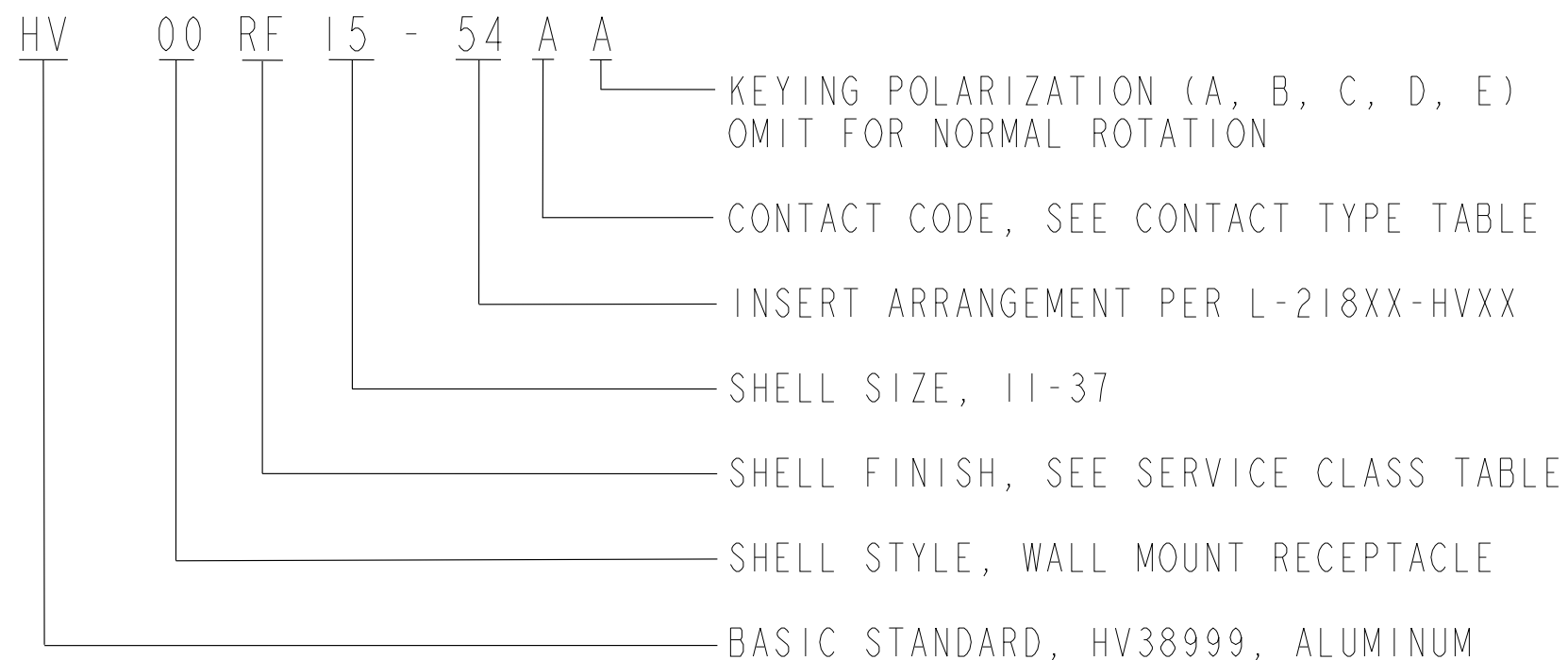
FORMAT: C-0-E-1

VERSION 0  
REVISION  
Eng. PDM Information For Reference Only

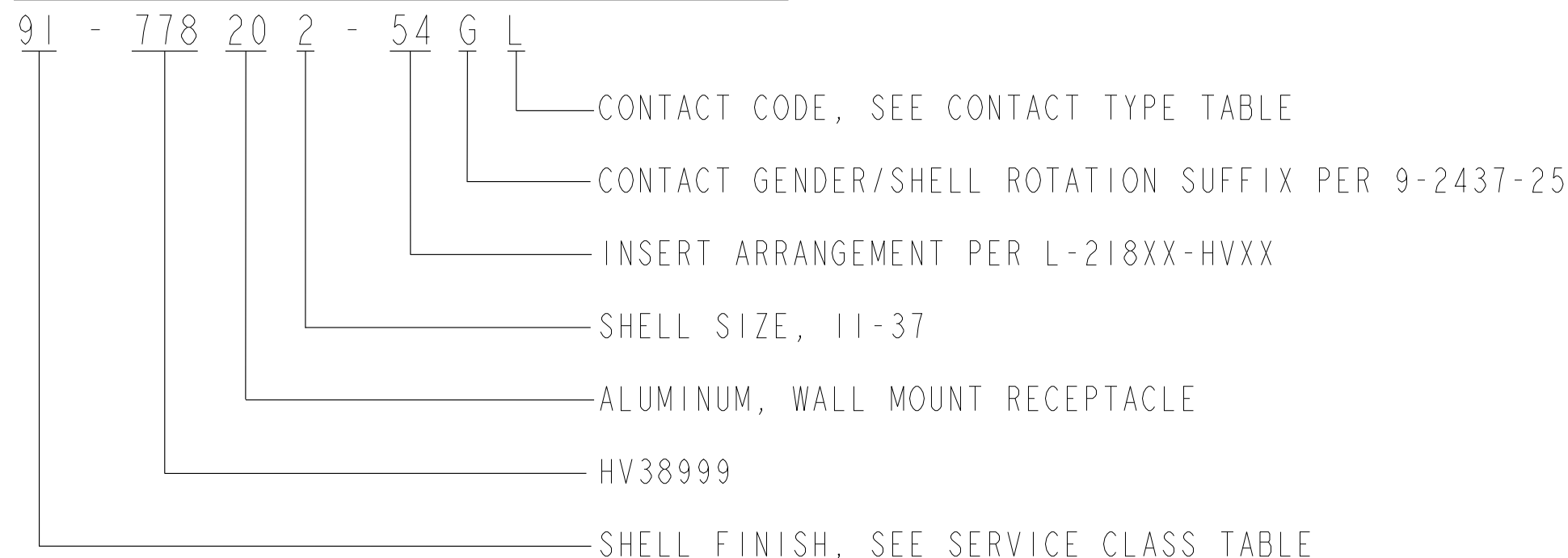
REV. -  
SHEET 4 OF 5

DOCUMENT NO. **FX-778380/389**

### EXPLANATION OF PART NUMBER



### EXPLANATION OF PART NUMBER



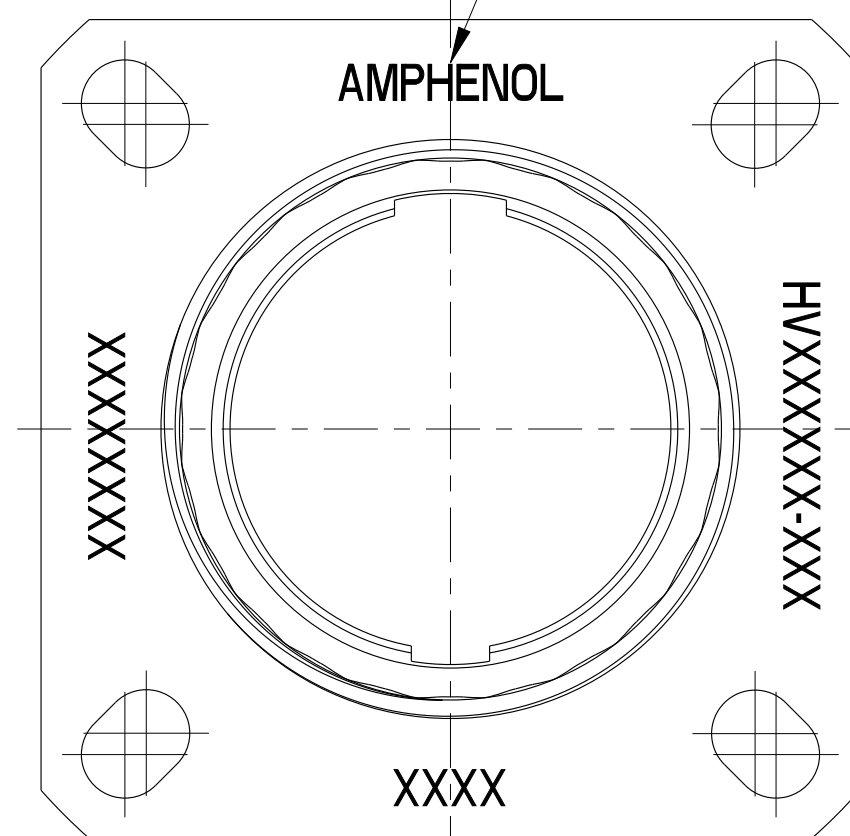
- 13. ALL POWER CONTACTS SUPPLIED TO "STANDARD" ASSEMBLIES ARE SILVER PLATED. ALL INTERLOCK CONTACTS ARE GOLD PLATED. FOR INTERLOCK CONTACT INFORMATION REFERENCE M39029/58-360 AND M39029/56-348. FOR POWER CONTACT INFORMATION REFERENCE INDIVIDUAL CONTACT DRAWINGS LISTED IN CONTACT TYPE TABLE.
- 12. CONNECTORS CONTAINING CONTACTS SIZE 8 OR LARGER SHALL BE TYPE II.
- 11. FULLY MATED INDICATOR BAND (COLOR RED).
- 10. SEE WORK ORDER FOR PERMISSIBLE ADDITIONAL OR ALTERNATE STAMPING.
- 9. UNITS ILLUSTRATED MEET OR EXCEED THE APPLICABLE REQUIREMENTS OF MIL-DTL-38999.
- 8. BLUE BAND DENOTES REAR RELEASE CONTACT RETENTION SYSTEM.
- 7. FOR MATING CONNECTOR, SEE FX-778410/419 & OTHERS.
- 6. PROCESS SPEC:  
9-2437-25, 9-5788, 9-3895
- 5. PACKAGE PER PRODUCTION PROCESS SHEET.
- 4. DRAWING ILLUSTRATES FINAL ASSEMBLY. FOR FINAL INSTALLATION, CONTACTS MUST BE ASSEMBLED INTO ALL INSERT HOLES. ALL UNUSED GROMMET HOLES MUST BE FILLED WITH APPROPRIATE SIZE SEALING PLUGS. CONTACTS AND SEALING PLUGS ARE SHIPPED UNASSEMBLED.
- 3. INSERT ASSEMBLY IS NOT REMOVABLE.
- 2. ALTERNATE ROTATIONS ARE OBTAINED BY ROTATING INDICATED KEYWAYS. SIX POSITIONS ARE AVAILABLE.
- 1. FOR CONTACT ARRANGEMENT PATTERN, SEE APPLICABLE DRAWINGS PER L-218XX-HVXX.

#### NOTES:

THE USE OF THIS DOCUMENT IS UNLIMITED. HOWEVER, DOCUMENTS REFERENCED HEREON MAY CONTAIN LIMITED RIGHTS DATA.

**PRELIMINARY  
DRAWING**  
PA1

STAMP "AMPHENOL", CODED NUMBER, DATE CODE, AND LOT NUMBER (9-3895) PER 9-5788.  
EXAMPLE:  
AMPHENOL HV00RF15-54P 2121 20001000  
FOR ROTATED KEYWAYS  
EXAMPLE:  
AMPHENOL HV00RF15-54PA 2121 20001000



**VIEW AT A**