

ELECTRICAL:

EMI SHIELDING : SHIELDED FOR THE RANGE 55dB UP TO 100MHz

INSULATION RESISTANCE : >500MΩ PER ANSI-EIA-364-D METHOD 21

MAX. CURRENT RATING : SEE INSULATOR DRAWING

CONNECTOR TESTING : SEE INSULATOR DRAWING VOLTAGE

CONNECTOR WORKING : SEE INSULATOR DRAWING VOLTAGE

ENVIRONMENTAL:

ENDURANCE: 1000 CYCLES AS PER MIL-STD 1344A, METHOD 2016.1

SHOCK: 50 g , DURATION 6 ms; AS PER MIL-STD 1344A, METHOD 2004.1

VIBRATIONS: 10 TO 2000Hz g = 20g, AS PER MIL-STD 1344A, METHOD 2005.1

PROTECTION INDEX: IP 67 AS PER IEC 529

ROHS COMPLIANT

SALT MIST : 48Hr PER SAE AS 1344 METHOD 1001.1 CEI 529

OPERATING TEMPERATURE: -40°C TO +80°C (-40°F TO +176°F)

THIS DRAWING IS A CONTROLLED DOCUMENT FOR SOURIAU USA, INC. IT IS SUBJECT TO CHANGE WITHOUT NOTIFICATION. CONTACT THE DOCUMENT CONTROL CENTER FOR THE LATEST REVISION.

THE INFORMATION CONTAINED IN THIS DRAWING IS CONFIDENTIAL AND MAY NOT BE DISCLOSED WITHOUT WRITTEN CONSENT FROM SOURIAU USA, INC.

MASS (g)	VOLUME (mm ³)
12.7	1825

NOTES:

T1 RED BAND

MATERIAL:

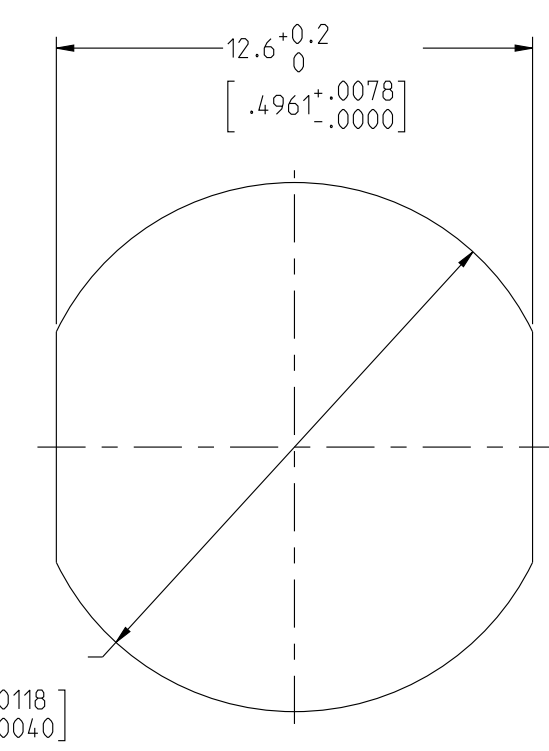
OUTER SHELL & PANEL NUT : } BRASS
SHIELD RING & NUT : }

FINISH:

OUTER SHELL & PANEL NUT : CHROME

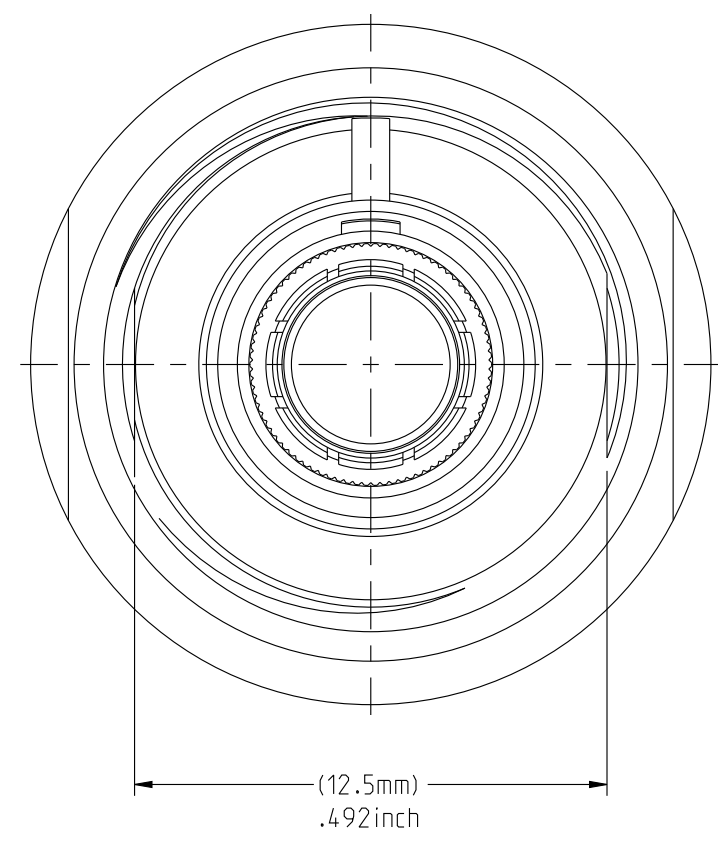
OTHER BRASS PARTS : NICKEL

T TOOLS

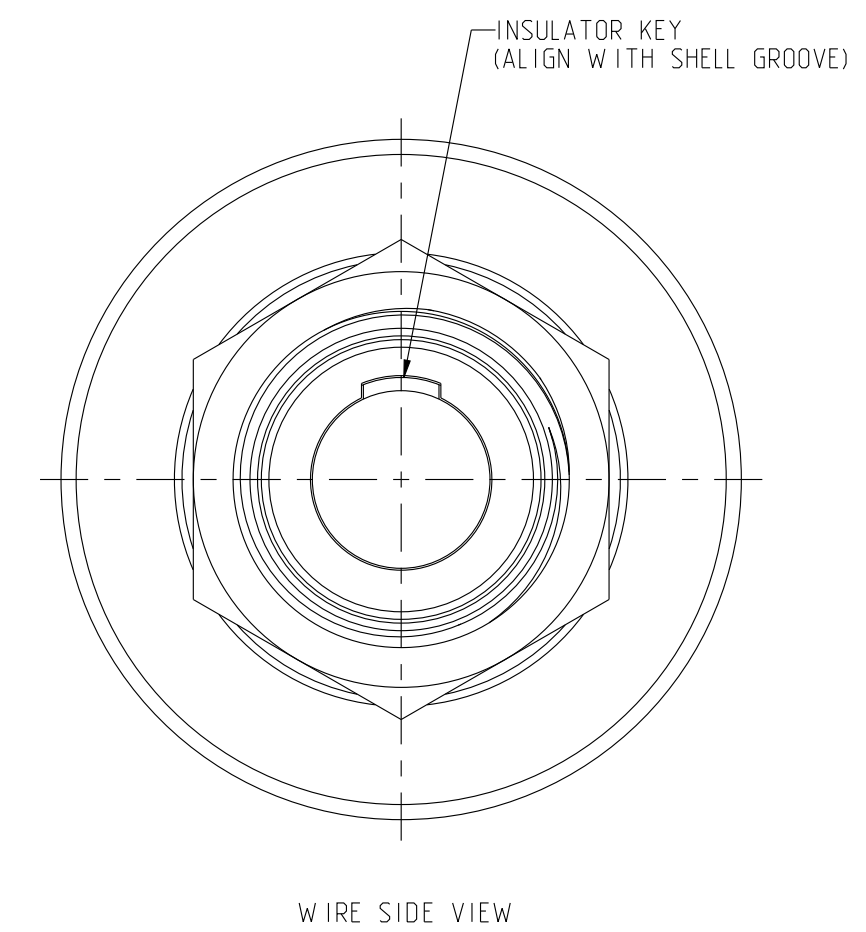
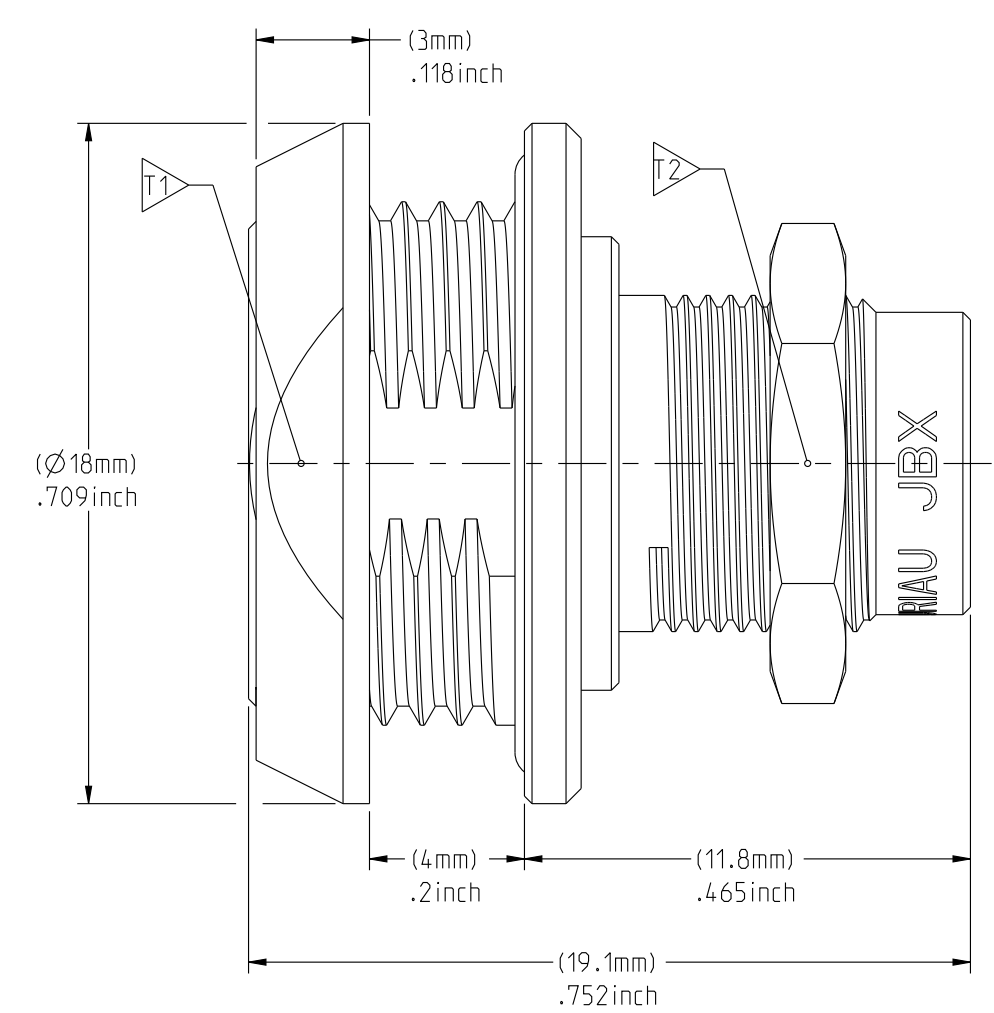


Ø14 +0.3 / +0.1 mm
[.5512 +.0118 / +.0040] inches

RECOMMENDED PANEL CUTOUT

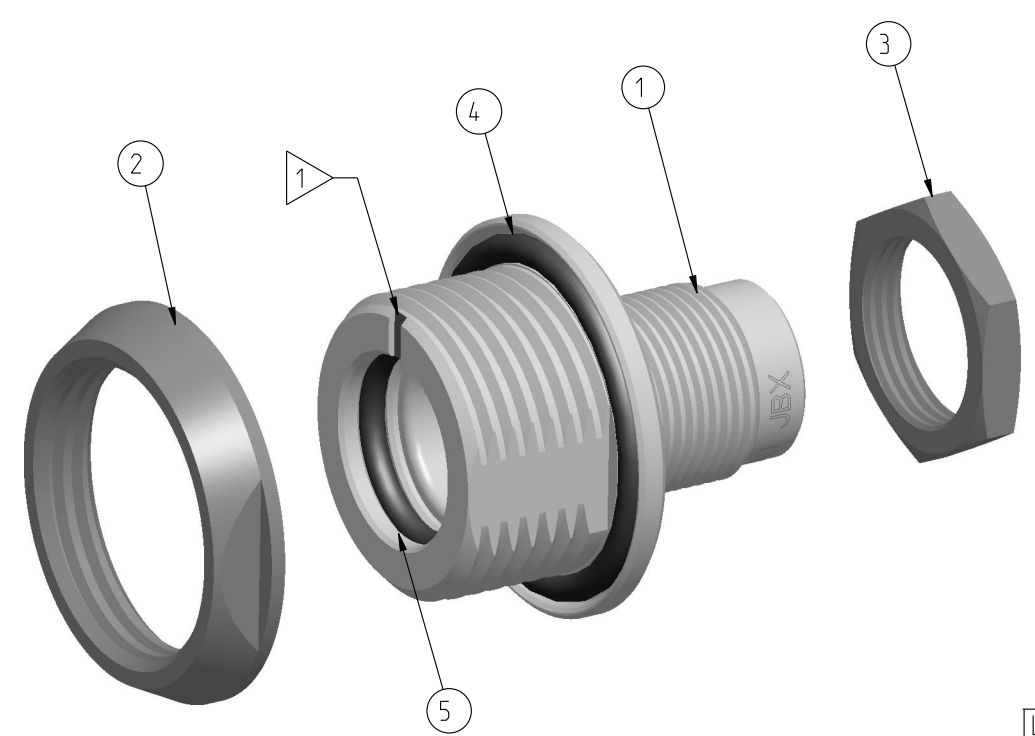


MATING SIDE VIEW



WIRE SIDE VIEW

	TOOLS (JAW DIMENSION)	ADVISED TORQUE IN Nm
T1	16	1.7
T2	11	0.7



SCALE 3:1

PART LIST	
ITEM NO.	DESCRIPTION
1	SHELL
2	PANEL NUT
3	HEX NUT
4	O-RING, EXTERNAL
5	O-RING, INTERNAL

CATALOG NUMBER DESCRIPTION

JBX HC 0 XXXXX DSR

BASIC SERIES _____ *OPTION*

SHELL TYPE _____ *INSERT MATERIAL*

SHELL SIZE _____ *COLLET OPTION*

KEYING _____ *SURFACE PLATING*

SEE INSULATOR DRAWING

ORIGIN	COUNTRY	JURISDICTION	CLASSIFICATION
X	FR	Not listed	N/A
	US	EAR	ECCN =EAR99

These commodities, technology or software are exported from the United States in accordance with the Export Administration Regulations. Diversion contrary to U.S. law is prohibited.

LINEAR MEASURE:	mm (INCH)
THIRD ANGLE PROJECTION	
TOLERANCES UNLESS OTHERWISE SPECIFIED	
No. OF PLACES	mm [INCH]
WHOLE No.	±0.5 [±.02]
ONE PLACE	±0.2 [±.008]
TWO PLACES	±0.1 [±.004]
ANGLES ±1°	

DRAWING TITLE: **JBX, SIZE 0, SEALED RECEPTACLE**

CAT NO. **JBXHCOC**

CAGE NO: 09922 SIZE: C

CUSTOMER

INTERPRET THIS DRAWING IN ACCORDANCE WITH ASME Y14.5M - 1994.

SOURIAU
WWW.SOURIAU.COM

APPROVAL:

DRAWN: TJS	01-07-15
CHKD : EV	01-07-15
DSGN : EV	01-07-15
MFG : DH	01-07-15
QC : BB	01-07-15

DRAWING SCALE: 5:1

DRAWING NO. **JBXHCOC**

REV **A**

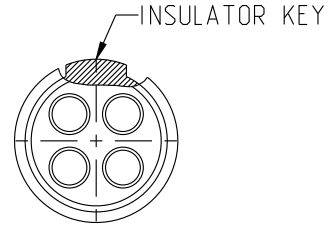
1 OF 1

DWG. NO.
JBX0INSFPC

FEMALE INSULATOR, STRAIGHT PCB CONTACT

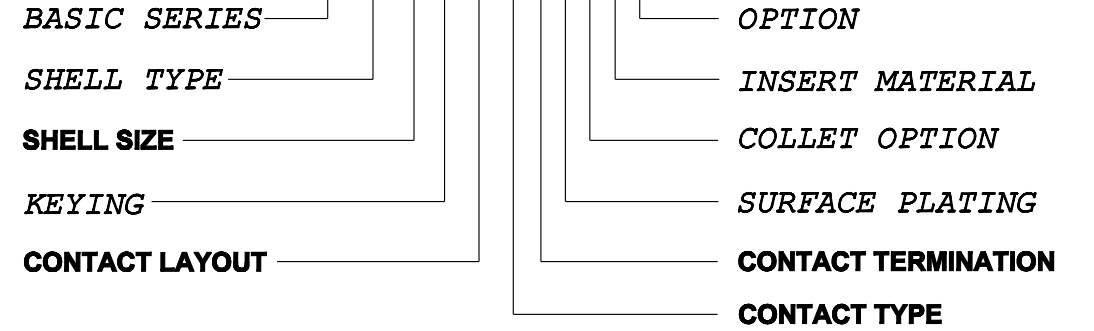
CONTACT LAYOUT	02	03	04	05	
FRONT SIDE VIEW					
REAR SIDE VIEW					
CONTACT					
ISO VIEW					
CONTACT	ØC	0.9	0.9	0.7	0.7
	ØF	0.7	0.7	0.5	0.5
	MAX. AWG	-	-	-	-
	MAX. CURRENT RATING (A)	10	10	7	7
INSULATOR	CONTACT RESISTANCE (mΩ)	3.5	3.5	5	5
	NUMBER OF CAVITY	2	3	4	5
	MAX. CURRENT RATING	10	8	7	6.5
	TEST VOLTAGE (Vrms)	1400	1300	1350	800
	WORKING VOLTAGE (Vdc/Vrms)	660/460	600/420	600/460	400/260

CONTACT TYPE : F (FEMALE)
CONTACT TERMINATION : P (PCB)
MATERIAL :
 CONTACT: CUPRO NICKEL
 INSULATOR: PEEK
FINISH :
 CONTACTS: GOLD



CATALOG NUMBER DESCRIPTION

JBXXX 0 X YY F P XXXX



B	REVISED PER ECN 12286	RSK 06-10-15	EV 06-10-15
A	RELEASED PER ECN 12264	SKV 03-10-15	EV 03-10-15
REV	DESCRIPTION	BY DATE	CHKD DATE

DRAWING TITLE
JBX, SIZE O, FEMALE INSULATOR, PCB CONTACT

CAT NO. **JBX0INSFP**

CAGE NO: 09922 SIZE: B

CUSTOMER	SOURIAU	APPROVAL	DRAWN: SKV	02-02-15
			CHKD : EV	02-02-15
INTERPRET THIS DRAWING IN ACCORDANCE WITH ASME Y14.5M - 1994.	WWW.SOURIAU.COM		DSGN : EV	02-02-15
			MFG : DH	02-02-15
			QC : BB	02-02-15
			DRAWING SCALE: NA	
			DRAWING NO.	REV
			JBX0INSFPC	B
			1 OF 3	

ORIGIN	COUNTRY	JURISDICTION	CLASSIFICATION
X	FR	Not listed	N/A
	US	EAR	ECCN =EAR99

These commodities, technology or software are exported from the United States in accordance with the Export Administration Regulations. Diversion contrary to U.S. law is prohibited.

LINEAR MEASURE: $\frac{mm}{INCH}$ mm (INCH)

THIRD ANGLE PROJECTION

TOLERANCES UNLESS OTHERWISE SPECIFIED

No. OF PLACES	mm [INCH]
ONE PLACE	±3 [±.1]
TWO PLACES	±0.5 [±.02]
THREE PLACES	±0.25 [±.010]

ANGLES ±1°

THIS DRAWING IS A CONTROLLED DOCUMENT FOR SOURIAU USA, INC. IT IS SUBJECT TO CHANGE WITHOUT NOTIFICATION. CONTACT THE DOCUMENT CONTROL CENTER FOR THE LATEST REVISION.

THE INFORMATION CONTAINED IN THIS DRAWING IS CONFIDENTIAL AND MAY NOT BE DISCLOSED WITHOUT WRITTEN CONSENT FROM SOURIAU USA, INC.

DWG. NO.
JBX0INSFPC

CONTACT LAYOUT	06	07	08
FRONT SIDE VIEW			
REAR SIDE VIEW			
CONTACT			
ISO VIEW			

CONTACT	ØC	0.5	0.5	0.5
	ØF	0.5	0.5	0.5
	MAX. AWG	-	-	-
	MAX. CURRENT RATING (A)	5	5	5
CONTACT RESISTANCE (mΩ)		10	10	10
INSULATOR	NUMBER OF CAVITY	6	7	8
	MAX. CURRENT RATING	2.5	2.5	2
	TEST VOLTAGE (Vrms)	680	680	680
	WORKING VOLTAGE (Vdc/Vrms)	320/220	320/220	190/130

THIS DRAWING IS A CONTROLLED DOCUMENT FOR SOURIAU USA, INC. IT IS SUBJECT TO CHANGE WITHOUT NOTIFICATION. CONTACT THE DOCUMENT CONTROL CENTER FOR THE LATEST REVISION.

THE INFORMATION CONTAINED IN THIS DRAWING IS CONFIDENTIAL AND MAY NOT BE DISCLOSED WITHOUT WRITTEN CONSENT FROM SOURIAU USA, INC.

B

A

ORIGIN	COUNTRY	JURISDICTION	CLASSIFICATION
X	FR	Not listed	N/A
	US	EAR	ECCN =EAR99

These commodities, technology or software are exported from the United States in accordance with the Export Administration Regulations. Diversion contrary to U.S. law is prohibited

LINEAR MEASURE: $\frac{mm}{INCH}$ mm (INCH)

THIRD ANGLE PROJECTION

TOLERANCES UNLESS OTHERWISE SPECIFIED

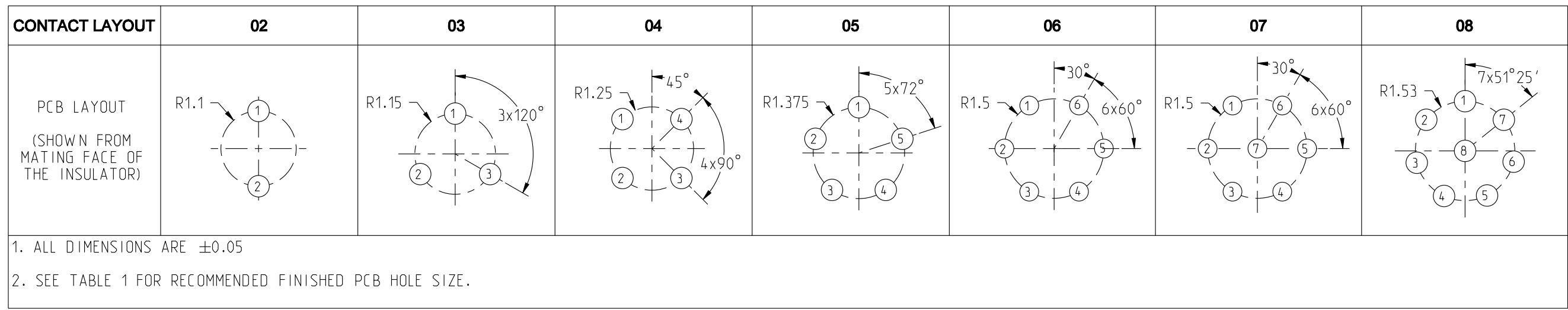
No. OF PLACES	mm [INCH]
ONE PLACE	±3 [±.1]
TWO PLACES	±0.5 [±.02]
THREE PLACES	±0.25 [±.010]

ANGLES ±1°

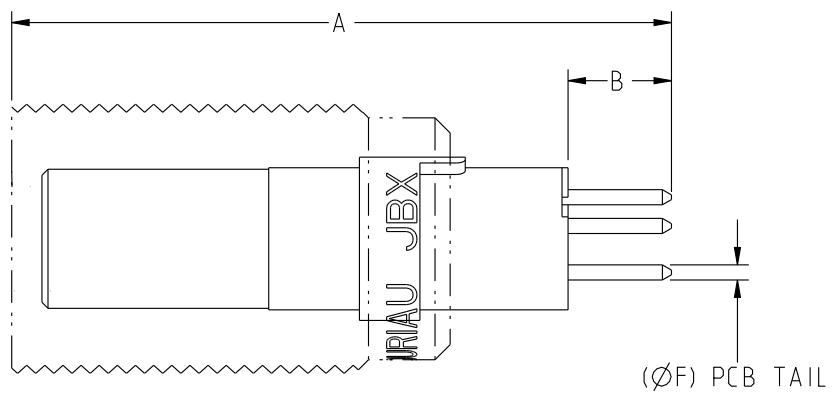
DRAWING TITLE JBX, SIZE O, FEMALE INSULATOR, PCB CONTACT			
CAT NO. JBX0INSFP			
CAGE NO: 09922	SIZE: B	APPROVAL	
CUSTOMER	SOURIAU	DRAWN: SKV	02-02-15
		CHKD : EV	02-02-15
INTERPRET THIS DRAWING IN ACCORDANCE WITH ASME Y14.5M - 1994.	WWW.SOURIAU.COM	DSGN : EV	02-02-15
		MFG : DH	02-02-15
		QC : BB	02-02-15
		DRAWING SCALE: NA	
		DRAWING NO.	REV
		JBX0INSFPC	B
		2 OF 3	

DWG. NO.
JBX0INSFPC

THIS DRAWING IS A CONTROLLED DOCUMENT FOR SOURIAU USA, INC. IT IS SUBJECT TO CHANGE WITHOUT NOTIFICATION. CONTACT THE DOCUMENT CONTROL CENTER FOR THE LATEST REVISION.



CONTACT PCB TAIL SIZE DIA	FINISHED PCB HOLE SIZE DIA
0.5	0.75
0.7	0.95



SAMPLE ASSEMBLY FOR INFORMATION

LAYOUT	02	03	04	05	06	07	08
A	21.8			21.6			
B	3.4			5.4			

ORIGIN	COUNTRY	JURISDICTION	CLASSIFICATION
X	FR	Not listed	N/A
	US	EAR	ECCN =EAR99

These commodities, technology or software are exported from the United States in accordance with the Export Administration Regulations. Diversion contrary to U.S. law is prohibited

LINEAR MEASURE:	$\frac{mm}{INCH}$ mm (INCH)
THIRD ANGLE PROJECTION	
TOLERANCES UNLESS OTHERWISE SPECIFIED	
No. OF PLACES	mm [INCH]
ONE PLACE	$\pm 3 [\pm .1]$
TWO PLACES	$\pm 0.5 [\pm .02]$
THREE PLACES	$\pm 0.25 [\pm .010]$
ANGLES $\pm 1^\circ$	

DRAWING TITLE			
JBX, SIZE O, FEMALE INSULATOR, PCB CONTACT			
CAT NO. JBX0INSFP			
CAGE NO: 09922		SIZE: B	
CUSTOMER		SOURIAU	
INTERPRET THIS DRAWING IN ACCORDANCE WITH ASME Y14.5M - 1994.		WWW.SOURIAU.COM	
APPROVAL	DRAWN: SKV	02-02-15	
	CHKD : EV	02-02-15	
	DSGN : EV	02-02-15	
	MFG : DH	02-02-15	
	QC : BB	02-02-15	
DRAWING SCALE: NA		DRAWING NO. REV	
JBX0INSFPC		B	
3 OF 3			

THE INFORMATION CONTAINED IN THIS DRAWING IS CONFIDENTIAL AND MAY NOT BE DISCLOSED WITHOUT WRITTEN CONSENT FROM SOURIAU USA, INC.

B

A