

LC87F0K08A

8-bit Microcontroller 8K-byte Flash ROM / 384-byte RAM / 24-pin

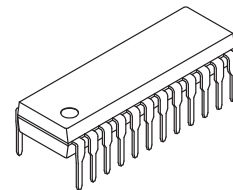


ON Semiconductor®

www.onsemi.com

Overview

LC87F0K08A is an 8-bit microcomputer that, centered around a CPU running at a minimum bus cycle time of 83.3 ns, integrates on a single chip a number of hardware features such as 8K-byte flash ROM (onboard programmable), 384-byte RAM, an on-chip debugger function, two sophisticated 16-bit timers/counters (may be divided into 8-bit timers), two 8-bit timers with a prescaler, a synchronous SIO interface, a UART port (full duplex), a 5-channel AD converter with 12/8-bit resolution selector, eight analog comparators, two AMP circuits, PPG, a watchdog timer, an internal reset circuit, a system clock frequency divider, and a 21-source 10-vector interrupt feature.



PDIP24 / DIP24S(300mil)

Features

■ Flash ROM

- Capable of on-board programming with a power voltage range of 4.5 to 5.5 V
- Block-erasable in 128 byte units
- Writing in 2-byte units
- 8192 × 8 bits

■ RAM

- 384 × 9 bits

■ Package form

- DIP24S, Pb-Free type

■ Minimum bus cycle time

- 83.3 ns (12 MHz)

Note: The bus cycle time here refers to the ROM read speed.

■ Minimum instruction cycle time

- 250 ns (12 MHz)

■ Ports

- I/O ports
 - Ports whose I/O direction can be designated in 1 bit units : 9 (P00 to P07, P30)
- Dedicated PPG output ports 1 (PPG0)
- Dedicated AMP/ CMP I/O ports 9 (CMP11A, CMP11B, CMP2I, CMP4I, CMP45I, CM5I, CMP6I, AMP1I, AMP2O)
- Reset pin 1 (RES#)
- Dedicated on-chip debugger pin 1 (OWP0)
- Regulator output pin 1 (VDC)
- Power pins 2 (VSS1, VDD1)

* This product is licensed from Silicon Storage Technology, Inc. (USA).

ORDERING INFORMATION

See detailed ordering and shipping information on page 24 of this data sheet.

LC87F0K08A

■ Timers

- Timer 0 : 16-bit timer/counter with a capture register
 - Mode 0 : 8-bit timer with an 8-bit programmable prescaler (with an 8-bit capture register) ×2 channels
 - Mode 1 : 8-bit timer with an 8-bit programmable prescaler (with an 8-bit capture register) + 8-bit counter (with an 8-bit capture register)
 - Mode 2 : 16-bit timer with an 8-bit programmable prescaler (with a 16-bit capture register)
 - Mode 3 : 16-bit counter (with a 16-bit capture register)
- Timer 1 : 16-bit timer/counter
 - Mode 0 : 8-bit timer with an 8-bit prescaler + 8-bit timer/counter with an 8-bit prescaler
 - Mode 2 : 16-bit timer/counter with an 8-bit prescaler
 - Mode 3 : 16-bit timer with an 8-bit prescaler
- Timer 6 : 8-bit timer with a 6-bit prescaler (with toggle outputs)
- Timer 7 : 8-bit timer with a 6-bit prescaler (with toggle outputs)
- Base timer
 - 1) The clock is selectable from the system clock and timer 0 prescaler output.
 - 2) Interrupts are programmable in 5 different time schemes

■ Serial interface

- SIO1 : 8-bit synchronous serial interface
 - Mode 0 : Synchronous 8-bit serial I/O (2-wire configuration, 2 to 512 Tcyc transfer clocks)
 - Mode 2 : Bus mode 1 (start bit, 8 data bits, 2 to 512 Tcyc transfer clocks)
 - Mode 3 : Bus mode 2 (start detect, 8 data bits, stop detect)

■ UART

- Full duplex
- 7 / 8 / 9 bit data bits selectable
- 1 stop bit (2 bits in continuous data transmission)
- Built-in baudrate generator

■ AD converter : 12 bits × 5 channels

- 12 / 8-bit AD converter resolution selectable

■ Remote control receiver circuit (multiplexed with P07 / INT3 / T0IN pin)

- Noise rejection function (noise filter time constant selectable from 1 Tcyc / 32 Tcyc / 128 Tcyc)

■ Analog comparator : 8 channels

- CMP1 : "+" and "-" input pins
Output : For PPG output timing generation and capture timer input (INT2)
- CMP2 : "+" input pin,
"-" input is the internal Vref (user selectable options : 5/12, 6/12, or 7/12 VDD).
Output for interrupt flag setting (CMP2)
- CMP3 : "+" input is the output of AMP1.
"-" input is the internal Vref (user selectable options: 1/6, 2/6, 3/6, or 4/6 VDD).
Output for the PPG output control (only the existing cycle set to OFF), capture trigger of pulse on time and interrupt flag set (CMP3)
- CMP4 : "+" and "-" input pins
Output for the PPG output control (forced OFF)
- CMP5 : "-" input pin, "+" input is multiplexed with the "-" input pin of CMP4
Output for the PPG output control (forced OFF)
- CMP6 : "+" input pin, "-" input is the internal Vref (register setting: 1/6, 2/6, 3/6, or 4/6 VDD)
Output for the PPG output control (forced OFF) and interrupt flag set (CMP6)
- CMP7 : "+" input is multiplexed with the "+" input pin of CMP2
"-" input is the internal Vref (user selectable options: 6/12, 7/12, or 8/12 VDD)
Output for the PPG output control (forced OFF) and interrupt flag set (CMP7).
- CMP8 : "+" input is multiplexed with the "+" input pin of CMP3
"-" input is the internal Vref (register setting: 1/6, 2/6, 3/6, or 4/6 VDD)
Output for capture trigger of pulse on time and interrupt flag set (CMP8)

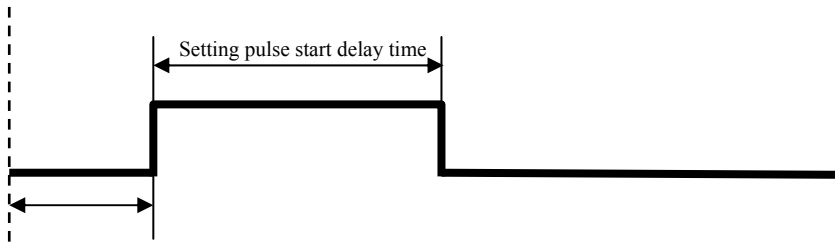
LC87F0K08A

■ AMP circuit : 2 channels

- AMP1 :
The gain is set by user selectable options (6× / 8× / 10×).
Input pin (AMP1I)
Output is CMP3 input, CMP8 input and AMP2 input.
- AMP2 :
The gain (1× / 2× / 4×) is set by using a register.
Input is AMP1 output.
Output pin (AMP2O)

■ IGBT control circuit (PPG2) : 1 channel

- Output sync signal switching : Set by a register (1-pulse output / continuous pulse output synchronized with the CMP1 output)
- Duty control : Pulse start delay time and pulse on time with respect to a sync signal are set by using a register.
- PPG output control using CMP3 to CMP7 outputs
- Surge detection using CMP4 / 5 / 6 outputs
- CMP1 output : Pulse signal timing detection
- Output polarity selectable : User selectable options



■ Clock output function

Capable of generating a clock output with a frequency of $\frac{1}{1}$, $\frac{1}{2}$, $\frac{1}{4}$, $\frac{1}{8}$, $\frac{1}{16}$, $\frac{1}{32}$, or $\frac{1}{64}$ of the source oscillator clock selected as the system clock.

■ Watchdog timer

- Can generate an internal reset signal on an overflow of timer that is running on the internal low-speed RC oscillation clock (30 kHz).
- Allows selection of continue, stop, or hold mode operation of the counter on entry into the HALT/HOLD mode.

■ **Interrupts**

- 21 sources, 10 vector addresses
 - 1) Provides three levels (low (L), high (H), and highest (X)) of multiplex interrupt control. Any interrupt request of the level equal to or lower than the current interrupt is not accepted.
 - 2) When interrupt requests to two or more vector addresses occur at the same time, the interrupt of the highest level takes precedence over the other interrupts. For interrupts of the same level, an interrupt into the smallest vector address is given priority.

No.	Vector Address	Level	Interrupt Source
1	00003H	X or L	CMP2 / CMP7
2	0000BH	X or L	CMP3 / CMP8
3	00013H	H or L	INT2 / T0L / INT4
4	0001BH	H or L	INT3 / base timer
5	00023H	H or L	T0H
6	0002BH	H or L	T1L / T1H
7	00033H	H or L	UART receive
8	0003BH	H or L	SIO1 / UART transmit
9	00043H	H or L	ADC / T6 / T7 / CMP1TO
10	0004BH	H or L	CMP6 / Surge detection

- Priority levels $X > H > L$
- For interrupts of the same level, an interrupt with a smaller vector address is given priority.

■ **Subroutine stack levels : Up to 192 levels (the stack is allocated in RAM.)**

■ **Internal high-speed multiplication/division instructions**

- 16 bits × 8 bits (5 Tcyc execution time)
- 24 bits × 16 bits (12 Tcyc execution time)
- 16 bits ÷ 8 bits (8 Tcyc execution time)
- 24 bits ÷ 16 bits (12 Tcyc execution time)

■ **Oscillation circuits**

- Internal oscillation circuits
 - Low-speed RC oscillation circuit : For system clock /Watch dog timer (30 kHz)
 - Medium-speed RC oscillation circuit : For system clock (1 MHz)
 - High-speed RC oscillation circuit : For system clock /PPG clock (24 MHz)
- *The clock divided by two is used for system clock (12 MHz).

■ **System clock divider function**

- Can run on low current.
- The minimum instruction cycle selectable from 250 ns, 500 ns, 1 μs, 2 μs, 4 μs, 8 μs, 16 μs, 32 μs, and 64 μs (at a main clock rate of 12 MHz).

■ **Internal reset circuit**

- Power-on reset (POR) function
 - 1) POR reset is generated only at power-on time.
 - 2) The POR release level can be selected from 5 levels (2.37 V, 2.57 V, 2.87 V, 3.86 V, and 4.35 V) by configuring options.
- Low-voltage detection reset (LVD) function
 - 1) LVD and POR functions are combined to generate resets when power is turned on and when power voltage falls below a certain level.
 - 2) The use/disuse of the LVD function and the low voltage threshold level (5 levels: 2.31 V, 2.51 V, 2.81 V, 3.79 V, 4.28 V) selectable by configuring options.

LC87F0K08A

■ Standby function

- HALT mode : Halts instruction execution while allowing the peripheral circuits to continue operation.
 - 1) Oscillation is not halted automatically.
 - 2) There are three ways of releasing the HALT mode.
 - (1) Setting the reset pin to the low level
 - (2) System resetting by watchdog timer or low-voltage detection
 - (3) Occurrence of an interrupt
- HOLD mode : Suspends instruction execution and the operation of the peripheral circuits.
 - 1) The RC oscillators automatically stop operation.
 - 2) There are three ways of releasing the HOLD mode.
 - (1) Setting the reset pin to the low level.
 - (2) System resetting by watchdog timer or low-voltage detection
 - (3) Having an interrupt source established at either INT2 or INT4.

■ On-chip debugger

- Supports software debugging with the IC mounted on the target board.

■ Data security function

- Protects the program data stored in flash memory from unauthorized read or copy.
Note : This data security function does not necessarily provide absolute data security.

■ Development tools

- On-chip debugger: TCB87 Type C + LC87F0K08A

■ Programming board

Package	Programming board
DIP24S	W87F0KD

■ Flash ROM programmer

Maker		Model	Supported version	Device
ON Semiconductor	Single/Gang Programmer	SKK/SKK Type B (SanyoFWS)	Application version: 1.08 or later Chip data version: 2.44 or later	LC87F0K08
	Gang Programmer	SKK-4G (SanyoFWS)		

Note : Be sure to check for the latest version.

LC87F0K08A

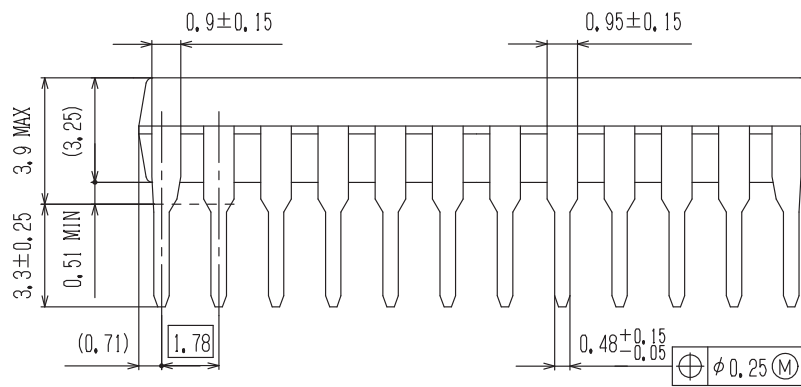
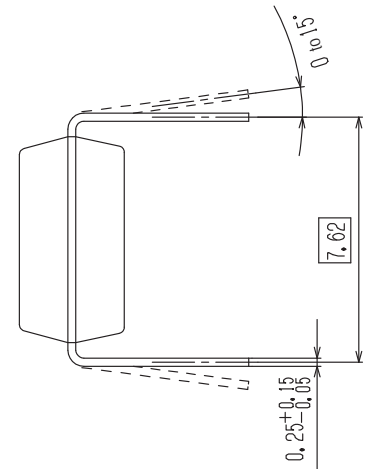
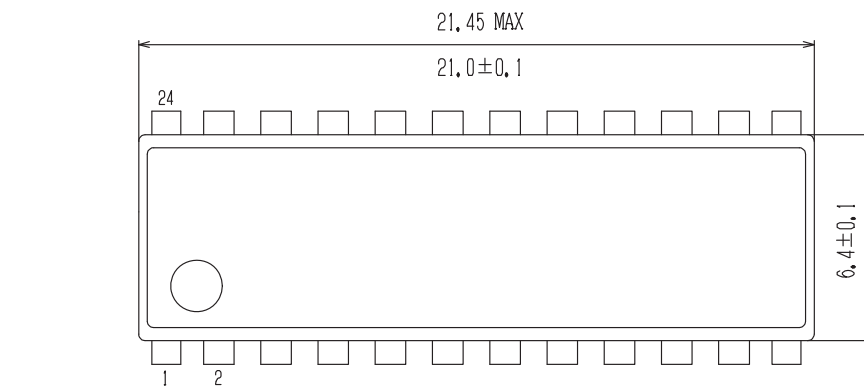
Package Dimensions

unit : mm

PDIP24 / DIP24S (300 mil)

CASE 646AW

ISSUE A



GENERIC MARKING DIAGRAM*



XXXXX = Specific Device Code

Y = Year

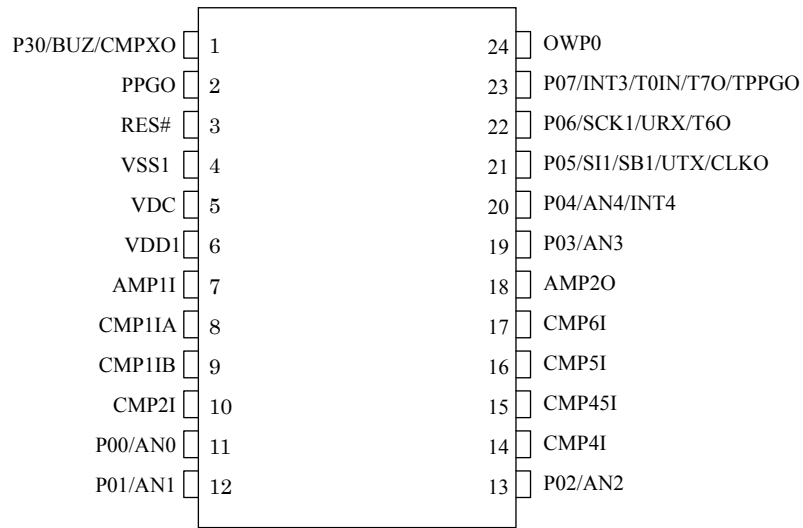
M = Month

DDD = Additional Traceability Data

*This information is generic. Please refer to device data sheet for actual part marking. Pb-Free indicator, "G" or microdot "▪", may or may not be present.

LC87F0K08A

Pin Assignment



Top view

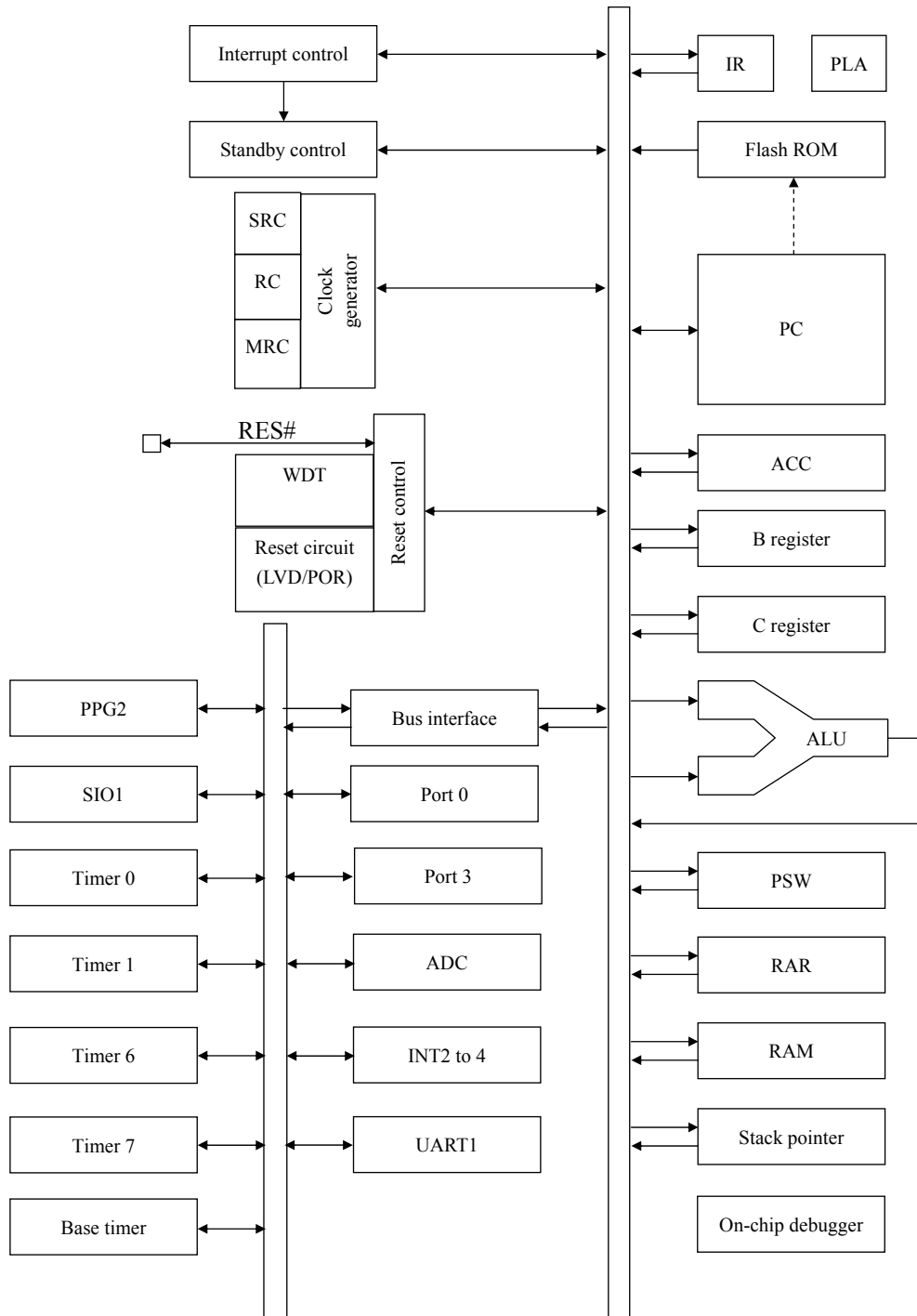
PDIP24/DIP24S (300mil)
"Pb-Free type"

DIP24S	NAME
1	P30/BUZ/CMPXO
2	PPGO
3	RES#
4	VSS1
5	VDC
6	VDD1
7	AMP1I
8	CMP1IA
9	CMP1IB
10	CMP2I
11	P00/AN0
12	P01/AN1

DIP24S	NAME
13	P02/AN2
14	CMP4I
15	CMP45I
16	CMP5I
17	CMP6I
18	AMP2O
19	P03/AN3
20	P04/AN4/INT4
21	P05/SI1/SB1/UTX/CLKO
22	P06/SCK11/URX/T6O
23	P07/INT3/T0IN/T7O/TPPGO
24	OWP0

LC87F0K08A

System Block Diagram



LC87F0K08A

Pin Function Chart

Pin Name	I/O	Description	Option																		
VSS1	–	– power supply pin	No																		
VDD1	–	+ power supply pin	No																		
Port 0 P00 to P07	I/O	<ul style="list-style-type: none"> • 8-bit I/O port • I/O specifiable in 1 bit units • Pull-up resistors can be turned on and off in 1 bit units. • Pin functions <ul style="list-style-type: none"> P04: INT4 input / HOLD release input / Timer 1 event input / Timer 0L capture input / Timer 0H capture input P05: SIO1 data I/O / Bus I-O / UART transmit / System clock output P06: SIO1 clock I/O / UART receive / Timer 6 toggle output P07: INT3 input (with noise filter) / Timer 0 event input / Timer 0H capture input / Timer 7 toggle output / PPGO output (for monitor) P00(AN0) to P04(AN4): AD convertor input port <p style="margin-left: 20px;">Interrupt acknowledge type</p> <table border="1" style="margin-left: 40px; width: 100%;"> <thead> <tr> <th></th> <th>Rising</th> <th>Falling</th> <th>Rising & Falling</th> <th>H level</th> <th>L level</th> </tr> </thead> <tbody> <tr> <td>INT3</td> <td style="text-align: center;">○</td> <td style="text-align: center;">○</td> <td style="text-align: center;">○</td> <td style="text-align: center;">X</td> <td style="text-align: center;">X</td> </tr> <tr> <td>INT4</td> <td style="text-align: center;">○</td> <td style="text-align: center;">○</td> <td style="text-align: center;">○</td> <td style="text-align: center;">X</td> <td style="text-align: center;">X</td> </tr> </tbody> </table>		Rising	Falling	Rising & Falling	H level	L level	INT3	○	○	○	X	X	INT4	○	○	○	X	X	Yes
	Rising	Falling	Rising & Falling	H level	L level																
INT3	○	○	○	X	X																
INT4	○	○	○	X	X																
Port 3 P30	I/O	<ul style="list-style-type: none"> • 1-bit I/O port • I/O specifiable in 1 bit units • Pull-up resistors can be turned on and off in 1 bit units. • Pin functions <ul style="list-style-type: none"> P30: Buzzer output / Comparator output 	Yes																		
AMP1I	I	AMP1 input pin	No																		
AMP2O	O	AMP2 output pin	No																		
CMP1IA	I	CMP1 (–) input pin	No																		
CMP1IB	I	CMP1 (+) input pin	No																		
CMP2I	I	CMP2 (+) , CMP7 (+) input pin	No																		
CMP4I	I	CMP4 (+) input pin	No																		
CMP45I	I	CMP4 (–), CMP5 (+) input pin	No																		
CMP5I	I	CMP5 (–) input pin	No																		
CMP6I	I	CMP6(+) input pin	No																		
PPGO	O	PPG output port	Yes																		
RES#	I/O	External reset Input / internal reset output pin	No																		
OWP0	I/O	Debugger-dedicated pin	No																		
VDC	O	Regulator output pin	No																		

Port Output Types

The table below lists the types of port outputs and the presence/absence of a pull-up resistor.

Data can be read into any input port even if it is in the output mode.

Port Name	Option Selected in Units of	Option Type	Output Type	Pull-up Resistor
P00 to P07	1 bit	1	CMOS	Programmable
		2	N-channel open drain	Programmable
P30	1 bit	1	CMOS	Programmable
		2	N-channel open drain	Programmable
PPGO	–	1	CMOS	No
		2	N-channel open drain	No

LC87F0K08A

User Option Table

Option Name	Option to Be Applied on	Flash-ROM Version	Option Selected in Units of	Option Selection
Port output type	P00 to P07	○	1 bit	CMOS N-channel open drain
	P30	○	1 bit	CMOS N-channel open drain
	PPGO	○	–	CMOS N-channel open drain
PPGO output polarity	PPGO	○	1 bit	Not inverted Inverted
AMP gain	AMP1	○	1 bit	6x 8x 10x
CMP2Vref	–	○	–	5/12VDD 6/12VDD 7/12VDD
CMP3Vref	–	○	–	1/6VDD 2/6VDD 3/6VDD 4/6VDD
CMP7Vref	–	○	–	6/12VDD 7/12VDD 8/12VDD
PPG Pulse On time	PPG-Pulse-On time upper limit	○	–	080h
				100h
				180h
				200h
				280h
				300h
				380h
				400h
				480h
				500h
				580h
				600h
				680h
700h				
780h				
7FFh				
Low-voltage detection reset function	Detection function	○	–	Enabled: Use Disabled: Disuse
	Detection level	○	–	5-level
Power-on reset function	Power-on reset level	○	–	5-level

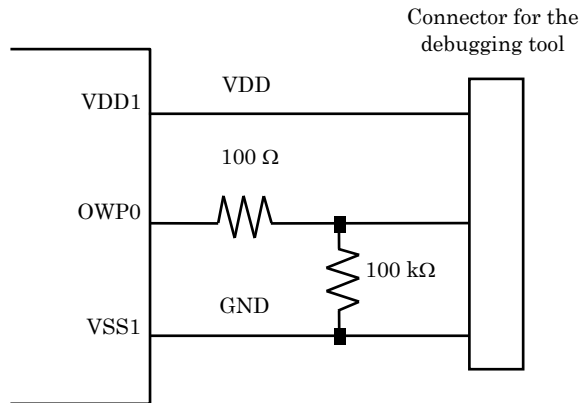
LC87F0K08A

Recommended Unused Pin Connections

Port Name	Recommended Unused Pin Connections	
	Board	Software
P00 to P07	Open	Output low
P30	Open	Output low
AMP1I, CMP1AI, CMP1IB, CMP2I, CMP4I, CMP45I CMP5I, CMP6I	Pull down with a 100 kΩ resistor or less.	–
AMP2O	Open	–

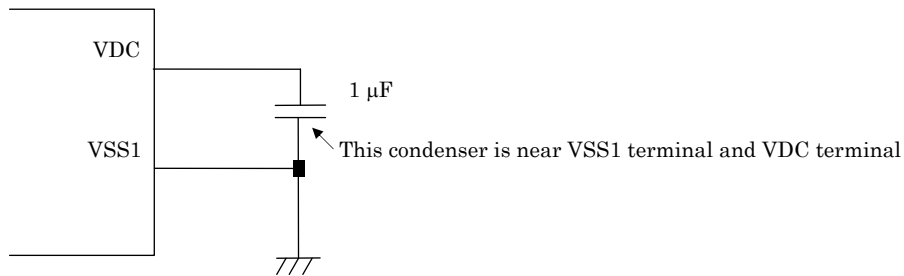
On-chip Debugger Pin Connection Requirements

Install and connect a limiting resistor (100 Ω) to the on-chip debugger dedicated pin (OWP0) on the user board and pull the pin down (100 kΩ). It is recommended to install a dedicated connector to accept the cable to the debugging tool (TCB87 Type C). The connector must accommodate three lines, i.e., VSS1, OWP0, and VDD1.



Regulator Output Pin Connection Requirements

The Regulator output pin (VDC) must be connected a condenser (1 μF) on the user's board.



LC87F0K08A

1. Absolute Maximum Ratings at Ta = 25°C, VSS1 = 0 V

Parameter	Symbol	Pin / Remarks	Conditions	Specification				unit
				VDD [V]	min.	typ.	max.	
Maximum supply voltage	VDDMAX	VDD1			-0.3	-	+6.5	V
Input voltage	VI	RES#, AMP1I, CMP11A, CMP11B, CMP2I, CMP4I, CMP45I, CMP5I, CMP6I			-0.3	-	VDD+0.3	
Output voltage	VO	AMP2O, PPGO			-0.3	-	VDD+0.3	
Input/output voltage	VIO	Ports 0, 3 OWP0			-0.3	-	VDD+0.3	
High level output current	Peak output current	IOPH	Ports 0, 3, PPGO, OWP0	CMOS output select Per 1 applicable pin	-10			mA
	Mean output current (Note 1-1)	IOMH	Ports 0, 3, PPGO, OWP0	CMOS output select Per 1 applicable pin	-7.5			
	Total output current	ΣIOAH	Ports 0, 3, PPGO, OWP0	Total of all applicable pins	-25			
Low level output current	Peak output current	IOPL (1)	P02 to P07, Ports 3, PPGO, OWP0	Per 1 applicable pin			20	
		IOPL (2)	P00, P01	Per 1 applicable pin			30	
	Mean output current (Note 1-1)	IOML (1)	P02 to P07, Ports 3, PPGO, OWP0	Per 1 applicable pin			15	
		IOML (2)	P00, P01	Per 1 applicable pin			20	
	Total output current	ΣIOAL (1)	P00 to P03	Total of all applicable pins			40	
		ΣIOAL (2)	P04 to P07, Ports 3, PPGO, OWP0	Total of all applicable pins			40	
		ΣIOAL (3)	Ports 0, 3, PPGO, OWP0	Total of all applicable pins			70	
Allowable power dissipation	Pdmax	DIP24S	Ta = -40 to +85°C Mounted on thermal resistance test board (Note 1-2)				460	mW
Operating ambient temperature	Topr				-40	-	+85	°C
Storage ambient temperature	Tstg				-55	-	+125	

Note 1-1 : The mean output current is a mean value measured over 100 ms.

Note 1-2 : SEMI standards thermal resistance board (size: 76.1 × 114.3 × 1.6 t mm, glass epoxy) is used.

Stresses exceeding those listed in the Maximum Ratings table may damage the device. If any of these limits are exceeded, device functionality should not be assumed, damage may occur and reliability may be affected.

LC87F0K08A

2. Allowable Operating Conditions at Ta = -40 to +85°C, VSS1 = 0 V

Parameter	Symbol	Pin / Remarks	Conditions	Specification				
				VDD [V]	min.	typ.	max.	unit
Operating supply voltage	VDD	VDD1	0.242 μs ≤ tCYC ≤ 200 μs		4.5		5.5	V
Memory sustaining supply voltage	VHD	VDD1	RAM and register contents sustained in HOLD mode.		2.0			
High level input voltage	VIH (1)	Ports 0, 3, OWPO		4.5 to 5.5	0.3VDD +0.7		VDD	
	VIH (2)	RES#		4.5 to 5.5	0.75VDD		VDD	
Low level input voltage	VIL (1)	Ports 3, OWPO		4.5 to 5.5	VSS		0.1VDD +0.4	
	VIL (2)	Port 0		4.5 to 5.5	VSS		0.15VDD +0.4	
	VIL (3)	RES#		4.5 to 5.5	VSS		0.25VDD	
Instruction cycle time (Note 2-1)	tCYC (Note 2-1)			4.5 to 5.5	0.242		200	μs
Oscillation frequency range	FmMRC		Internal high-speed RC oscillation. (Note 2-2)	4.5 to 5.5	23.28	24.0	24.72	MHz
	FmRC		Internal medium-speed RC oscillation	4.5 to 5.5	0.5	1.0	2.0	
	FmSRC2		Internal low-speed RC oscillation	4.5 to 5.5	15	30	60	kHz

Note 2-1 : Relationship between tCYC and oscillation frequency is 3/FmMRC at a division ratio of 1/1 and 6/FmMRC at a division ratio of 1/2.

Note 2-2 : When switching the system clock, allow an oscillation stabilization time of 100 μs or longer after the high-speed RC oscillator circuit transmits from the "oscillation stopped" to "oscillation enabled" state. The signal that divided high-speed RC oscillator clock by two is used for system clock (Typ. 12 MHz).

Functional operation above the stresses listed in the Recommended Operating Ranges is not implied. Extended exposure to stresses beyond the Recommended Operating Ranges limits may affect device reliability.

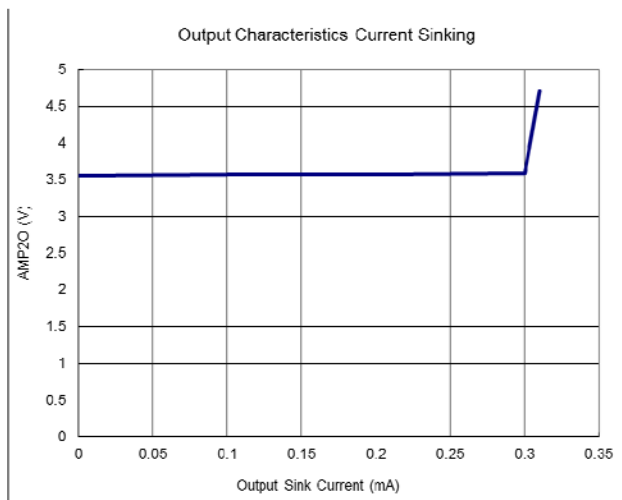
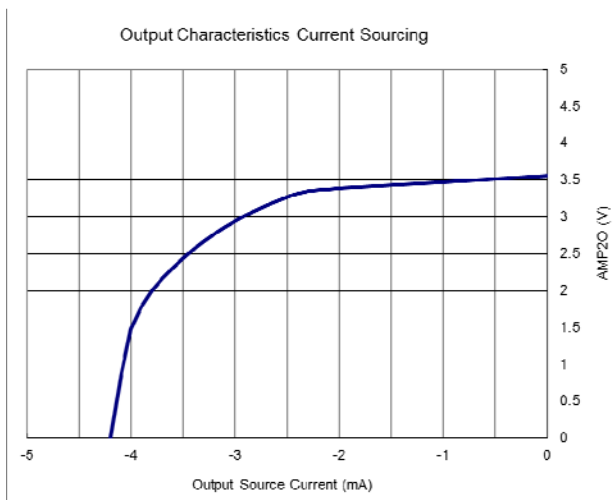
LC87F0K08A

3. Electrical Characteristics at Ta = -40 to +85°C, VSS1 = 0 V

Parameter	Symbol	Pin / Remarks	Conditions	Specification				
				VDD [V]	min.	typ.	max.	unit
High level input current	I _{IH}	Ports 0, 3, AMP1I, CMP1IA, CMP1IB, CMP2I, CMP4I, CMP45I, CMP5I, CMP6I, RES#	Output disabled Pull-up resistor off VIN = VDD (Including output Tr's off leakage current)	4.5 to 5.5			1	μA
Low level input current	I _{IL}	Ports 0, 3, AMP1I, CMP1IA, CMP1IB, CMP2I, CMP4I, CMP45I, CMP5I, CMP6I, RES#	Output disabled Pull-up resistor off VIN = VSS (Including output Tr's off leakage current)	4.5 to 5.5	-1			
AMP allowable output current (Note 3-1)	IAMP	AMP2O	AMP 1 gain is 8x and AMP 2 gain is 1x selected AMP1I = 0.445 V	5.0	-2.0		0.30	mA
High level output voltage	VOH (1)	Ports 0	I _{OH} = -1 mA	4.5 to 5.5	VDD-1			V
	VOH (2)	Ports 3, PPGO, OWP0	I _{OH} = -6 mA	4.5 to 5.5	VDD-1			
Low level output voltage	VOL (1)	P02 to P07, Port 3, PPGO, OWP0	I _{OL} = 10 mA	4.5 to 5.5			1.5	
	VOL (2)	P00, P01	I _{OL} = 25 mA	4.5 to 5.5			1.5	
Pull-up resistance	R _{pu}	Ports 0, 3	VOH = 0.9VDD	4.5 to 5.5	15	35	80	kΩ
Hysteresis voltage	V _{HYS}	Ports 0, RES#, OWP0	P04 only when detecting INT4 interrupt	4.5 to 5.5		0.1VDD		V
Pin capacitance	CP	All pins	For pins other than that under test: VIN = VSS f = 1 MHz, Ta = 25°C	4.5 to 5.5		10		pF

Product parametric performance is indicated in the Electrical Characteristics for the listed test conditions, unless otherwise noted. Product performance may not be indicated by the Electrical Characteristics if operated under different conditions.

Note 3-1 :



LC87F0K08A

4. Serial I/O Characteristics at Ta = -40 to +85°C, VSS1 = 0 V (Note 4-1)

	Parameter	Symbol	Pin / Remarks	Conditions	VDD [V]	Specification			unit	
						min.	typ.	max.		
Serial clock	Input clock	Frequency	tSCK (1)	SCK1 (P06)	• See Fig. 2.	4.5 to 5.5	2			tCYC
		Low level pulse width	tSCKL (1)				1			
		High level pulse width	tSCKH (1)				1			
	Output clock	Frequency	tSCK (2)	SCK1 (P06)	• CMOS output selected • See Fig. 2.	4.5 to 5.5	2			tSCK
		Low level pulse width	tSCKL (2)				1/2			
		High level pulse width	tSCKH (2)				1/2			
Serial input	Data setup time	tsDI	SB1 (P05)	• Must be specified with respect to rising edge of SIOCLK. • See Fig. 2.	4.5 to 5.5	(1/3)tCYC +0.01			μs	
	Data hold time	thDI				0.03				
Serial output	Output delay time	tdD0	SB1 (P05)	• Must be specified with respect to falling edge of SIOCLK. • Must be specified as the time to the beginning of output state change in open drain output mode. • See Fig. 2	4.5 to 5.5			(1/2)tCYC +0.05		

Note 4-1: These specifications are theoretical values. Be sure to add margin depending on its use.

5. Pulse Input Conditions at Ta = -40 to +85°C, VSS1 = 0 V

Parameter	Symbol	Pin / Remarks	Conditions	VDD [V]	Specification			unit
					min.	typ.	max.	
High/low level pulse width	tPIH (1) tPIL (1)	INT3 (P07) when no noise filter is used, INT4 (P04)	• Interrupt source flag can be set. • Event inputs for timer 0 or 1 are enabled.	4.5 to 5.5	1			tCYC
	tPIH (2) tPIL (2)	INT3 (P07) when noise filter time constant is 1/1.	• Interrupt source flag can be set. • Event inputs for timer 0 are enabled.	4.5 to 5.5	2			
	tPIH (3) tPIL (3)	INT3 (P07) when noise filter time constant is 1/32.	• Interrupt source flag can be set. • Event inputs for timer 0 are enabled.	4.5 to 5.5	64			
	tPIH (4) tPIL (4)	INT3 (P07) when noise filter time constant is 1/128.	• Interrupt source flag can be set. • Event inputs for timer 0 are enabled.	4.5 to 5.5	256			
	tPIL (5)	RES#	• Resetting is enabled.	4.5 to 5.5	200			μs

LC87F0K08A

6. AD Converter Characteristics at VSS1 = 0 V

<12 bits AD Converter Mode at Ta = -40 to +85°C >

Parameter	Symbol	Pin / Remarks	Conditions	Specification				
				VDD [V]	min.	typ.	max.	unit
Resolution	N	AN0 (P00) to AN4 (P04)		4.5 to 5.5		12		bit
Absolute accuracy	ET		(Note 6-1)	4.5 to 5.5			±16	LSB
Conversion time	TCAD		• See conversion time calculation formulas. (Note 6-2)	4.5 to 5.5	32		115	µs
Analog input voltage range	VAIN			4.5 to 5.5	VSS		VDD	V
Analog port input current	IAINH		VAIN = VDD	4.5 to 5.5			1	µA
	IAINL		VAIN = VSS	4.5 to 5.5	-1			

<8 bits AD Converter Mode at Ta = -40 to +85°C >

Parameter	Symbol	Pin / Remarks	Conditions	Specification				
				VDD [V]	min.	typ.	max.	unit
Resolution	N	AN0 (P00) to AN4 (P04)		4.5 to 5.5		8		bit
Absolute accuracy	ET		(Note 6-1)	4.5 to 5.5			±1.5	LSB
Conversion time	TCAD		• See conversion time calculation formulas. (Note 6-2)	4.5 to 5.5	20		90	µs
Analog input voltage range	VAIN			4.5 to 5.5	VSS		VDD	V
Analog port input current	IAINH		VAIN = VDD	4.5 to 5.5			1	µA
	IAINL		VAIN = VSS	4.5 to 5.5	-1			

Conversion time calculation formulas :

$$12 \text{ bits AD Converter Mode: } TCAD (\text{Conversion time}) = ((52 / (\text{AD division ratio})) + 2) \times (1/3) \times tCYC$$

$$8 \text{ bits AD Converter Mode: } TCAD (\text{Conversion time}) = ((32 / (\text{AD division ratio})) + 2) \times (1/3) \times tCYC$$

<Recommended Operating Conditions>

Internal oscillation (FmMRC)	Operating supply voltage range (VDD)	System division ratio (SYSDIV)	Cycle time (tCYC)	AD division ratio (ADDIV)	AD conversion time (TCAD)	
					12-bit AD	8-bit AD
12 MHz	4.5 V to 5.5 V	1/1	250 ns	1/8	34.8 µs	21.5 µs

Note 6-1: The quantization error (±1/2LSB) must be excluded from the absolute accuracy. The absolute accuracy must be measured in the microcontroller's state in which no I/O operations occur at the pins adjacent to the analog input channel.

Note 6-2: The conversion time refers to the period from the time an instruction for starting a conversion process till the time the conversion results register(s) are loaded with a complete digital conversion value corresponding to the analog input value.

The conversion time is 2 times the normal-time conversion time when :

- The first AD conversion is performed in the 12-bit AD conversion mode after a system reset.
- The first AD conversion is performed after the AD conversion mode is switched from 8-bit to 12-bit conversion mode.

LC87F0K08A

7. Power-on Reset (POR) Characteristics at Ta = -40 to +85°C, VSS1 = 0 V

Parameter	Symbol	Pin / Remarks	Conditions	Option selected voltage	Specification			
					min.	typ.	max.	unit
POR release voltage	PORRL		· Select from options. (Note 7-1)	2.37 V	2.25	2.37	2.49	V
				2.57 V	2.45	2.57	2.69	
				2.87 V	2.73	2.85	2.97	
				3.86 V	3.69	3.84	3.99	
				4.35 V	4.15	4.33	4.50	
Detection voltage unknown state	POUKS		· See Fig. 4. (Note 7-2)			0.7	0.95	
Power supply rise time	PORIS		· Power supply rise time from VDD = 0 V to 1.6 V.				100	ms

Note7-1 : The POR release level can be selected out of 5 levels when the LVD reset function is disabled.

Note7-2 : POR is in an unknown state before transistors start operation.

8. Low Voltage Detection Reset (LVD) Characteristics at Ta = -40 to +85°C, VSS1 = 0 V

Parameter	Symbol	Pin / Remarks	Conditions	Option selected voltage	Specification			
					min.	typ.	max.	unit
LVD reset voltage (Note 8-2)	LVDET		Select from options. See Fig. 5. (Note 8-1) (Note 8-3)	2.31 V	2.21	2.31	2.41	V
				2.51 V	2.41	2.51	2.61	
				2.81 V	2.66	2.81	2.96	
				3.79 V	3.61	3.79	3.97	
				4.28 V	4.10	4.28	4.46	
LVD detection voltage hysteresis	LVHYS			2.31 V		50		mV
				2.51 V		50		
				2.81 V		50		
				3.79 V		50		
				4.28 V		50		
Detection voltage unknown state	LVUKS		See Fig. 5. (Note 8-4)			0.7	0.95	V
Low voltage detection minimum width (Reply sensitivity)	TLVDW		LVDET-0.5 V See Fig. 6.		0.2			ms

Note8-1 : The LVD reset level can be selected out of 5 levels when the LVD reset function is enabled.

Note8-2 : LVD reset voltage specification values do not include hysteresis voltage.

Note8-3 : LVD reset voltage may exceed its specification values when port output state changes and/or when a large current flows through port.

Note8-4 : LVD is in an unknown state before transistors start operation.

LC87F0K08A

9. Amplifier and Comparator Characteristics at $T_a = -40$ to $+85^\circ\text{C}$, $V_{SS1} = 0\text{ V}$

Parameter	Symbol	Pin / Remarks	Conditions	Specification				
				VDD [V]	min.	typ.	max.	unit
Common-mode input voltage (Note 9-1)	VCMIN	CMP11A, CMP11B, CMP21, CMP41, CMP451, CMP51, CMP61		4.5 to 5.5	VSS		VDD -1.5 V	V
Internal reference voltage error	VREF	CMP2, CMP3, CMP6, CMP7, CMP8		4.5 to 5.5	-0.02		+0.02	
AMP input voltage range (Note 9-2)	VAMIN	AMP11		4.5 to 5.5	VSS		(VDD -1.5 V) /AMP gain	
Offset voltage	VOFF(1)	CMP11A, CMP11B (CMP1) CMP41, CMP451 (CMP4) CMP451, CMP51 (CMP5)	• Within common-mode input voltage range	4.5 to 5.5			± 20	mV
	VOFF(2)	CMP21 (CMP2, CMP7), CMP61 (CMP6)	• Within common-mode input voltage range • Including VREF error	4.5 to 5.5			± 40	
	VOFF(3)	AMP11 (CMP3, CMP8)	• Within AMP Input voltage range • AMP1 gain set at 8x • Including AMP1 output error and VREF error	4.5 to 5.5			± 28	
AMP output error	VAER(1)	AMP20	• AMP11 = 0.41 V • AMP1 gain set at 8x • AMP2 gain set at 1x			± 155	± 180	
CMP1/CMP4/ CMP5 response time	tC145RT	PPGO, CMPXO(P30)	• Within common-mode input voltage range • Input amplitude = 100 mV • Over drive = 50 mV	4.5 to 5.5		200		ns
CMP3/CMP8 response time	tC38RT	PPGO, CMPXO(P30)	• AMP1 gain set at 8x • AMP11 rising time • MP11 = (VREF \pm 100 mV) / 8 • See Fig. 7.	4.5 to 5.5		600		
CMP2 response time	tC2RT	CMPXO(P30)	• CMP input pin rising time • CMP input = VREF \pm 50 mV	4.5 to 5.5		200		
CMP6/CMP7 response time	tC67RT	PPGO, CMPXO(P30)	• CMP input pin rising time • CMP input = VREF \pm 50 mV • See Fig. 7.	4.5 to 5.5		200		

Note 9-1 : When VDD = 5 V, the comparator input voltage is effective from 0 to 3.5 V.

Note 9-2 : AMP gain = AMP1 gain \times AMP2 gain

When VDD = 5 V, AMP1 gain = 8x, AMP2 gain = 1x, the AMP input voltage is effective from 0 to 0.4375 V.

Note 9-3 : PPG output for CMP1 has a delay of 1/6 tCYC to 1/2 tCYC from CMPXO falling timing for synchronization with system clock, when the pulse start delay setup register is set to 000H.

LC87F0K08A

10. Consumption Current Characteristics at Ta = -40 to +85°C, VSS1 = 0 V

Parameter	Symbol	Pin / Remarks	Conditions	Specification				
				VDD [V]	min.	typ.	Max.	unit
Normal mode consumption current (Note 10-1) (Note 10-2)	IDDOP(1)	VDD1	<ul style="list-style-type: none"> • System clock set to internal high speed RC oscillator • Internal low speed / medium speed RC oscillator stopped. • 1/1 frequency division ratio 	4.5 to 5.5		5.6	7.7	mA
	IDDOP(2)		<ul style="list-style-type: none"> • System clock set to internal medium speed RC oscillator • Internal low speed / high speed RC oscillator stopped. • 1/2 frequency division ratio 	4.5 to 5.5		1.8	2.9	
	IDDOP(3)		<ul style="list-style-type: none"> • System clock set to internal low speed RC oscillator • Internal medium speed / high speed RC oscillator stopped. • 1/1 frequency division ratio 	4.5 to 5.5		1.7	2.7	
Halt mode consumption current (Note 10-1) (Note 10-2)	IDDHALT(1)		<ul style="list-style-type: none"> • HALT mode • System clock set to internal high speed RC oscillator • Internal low speed / medium speed RC oscillator stopped. • 1/1 frequency division ratio 	4.5 to 5.5		3.5	4.9	
	IDDHALT(2)	<ul style="list-style-type: none"> • HALT mode • System clock set to internal medium speed RC oscillator • Internal low speed / high speed RC oscillator stopped. • 1/2 frequency division ratio 	4.5 to 5.5		1.7	2.7		
	IDDHALT(3)	<ul style="list-style-type: none"> • HALT mode • System clock set to internal low speed RC oscillator • Internal medium speed / high speed RC oscillator stopped. • 1/1 frequency division ratio 	4.5 to 5.5		1.6	2.7		
HOLD mode consumption current (Note 10-1) (Note 10-2) (Note 10-3)	IDDHOLD		<ul style="list-style-type: none"> • HOLD mode. • When LVD option selected 	4.5 to 5.5		1.6	2.7	

Note10-1 : Values of the consumption current do not include current that flows into the output transistors and internal pull-up resistors.

Note10-2 : The consumption current values do not include operational current of LVD function if not specified.

Note10-3 : AMP and CMP circuits are operating in HOLD mode.

LC87F0K08A

11. F-ROM Programming Characteristics at Ta = +10 to +55°C, VSS1 = 0 V

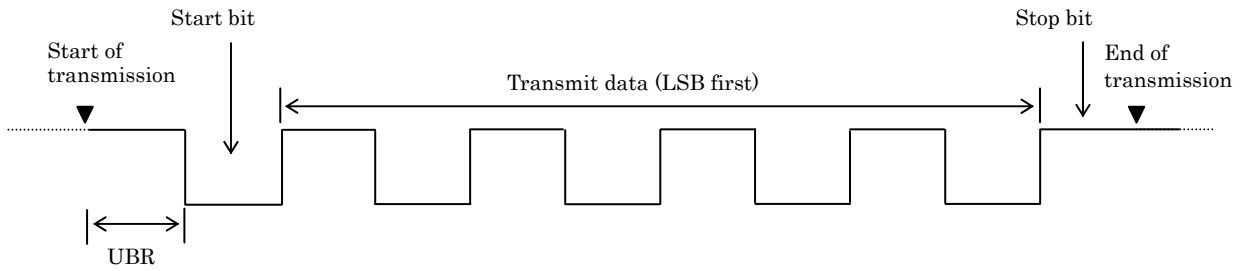
Parameter	Symbol	Pin / Remarks	Conditions	VDD [V]	Specification			
					min.	typ.	max.	unit
Onboard programming current	IDDFW	VDD1	· Excluding current consumption of the microcontroller block	4.5 to 5.5		7	11	mA
Programming time	tFW (1)		· Erasing operation	4.5 to 5.5		12	15	ms
	tFW (2)		· Programming operation			35	45	μs

12. UART (Full Duplex) Operating Conditions at Ta = -40 to +85°C, VSS1 = 0 V

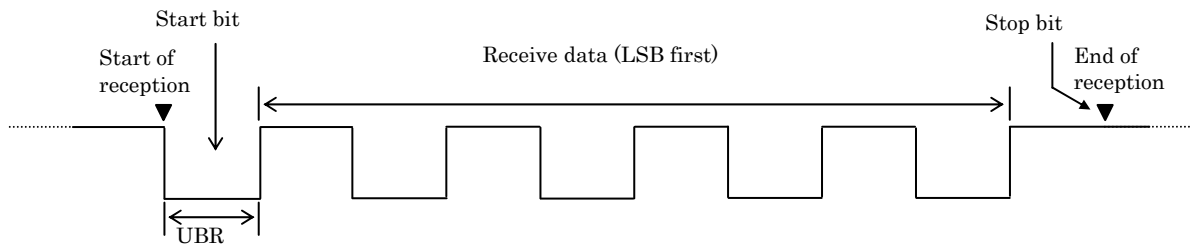
Parameter	Symbol	Pin / Remarks	Conditions	VDD [V]	Specification			
					min.	typ.	max.	unit
Transfer rate	UBR	UTX (P05) URX (P06)		4.5 to 5.5	16/3		8192/3	tCYC

Data length : 7 / 8 / 9 bits (LSB first)
 Stop bits : 1 bit (2-bit in continuous data transmission)
 Parity bits : None

Example of Continuous 8-bit Data Transmission Mode Processing (First Transmit Data = 55H)



Example of Continuous 8-bit Data Reception Mode Processing (First Receive Data = 55H)



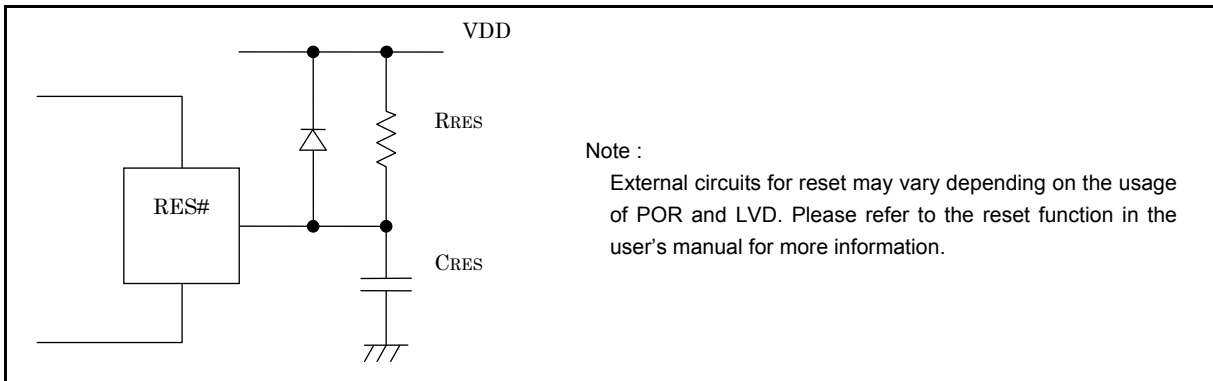


Figure 1 Sample Reset Circuit

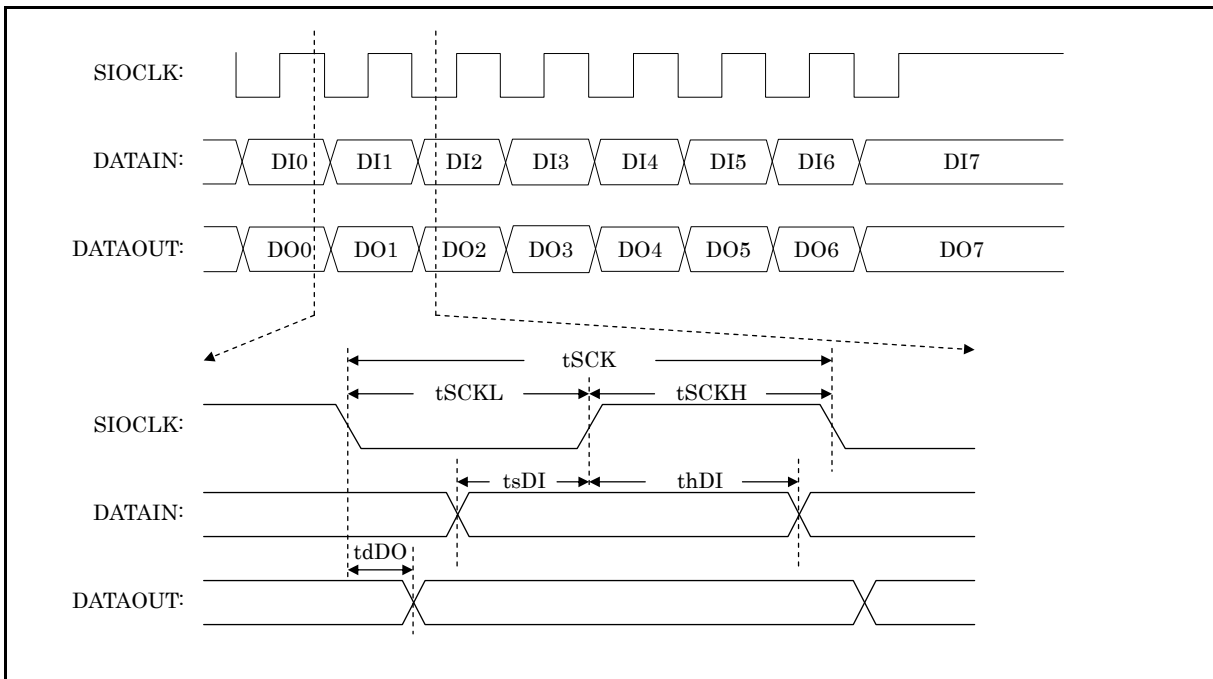


Figure 2 Serial I/O Waveforms

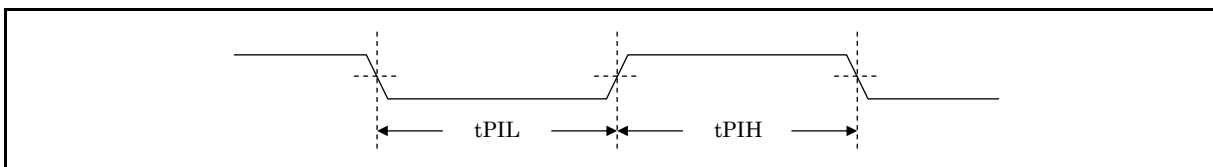


Figure 3 Pulse Input Timing Signal Waveform

Figure 4 Example of waveforms observed when only POR is used (LVD not used) (RESET pin : Pull-up resistor R_{RES} only)

- The POR function generates a reset only when power is turned on starting at the VSS level.
- No stable reset will be generated if power is turned on again when the power level does not go down to the VSS level as shown in (a). If such a case is anticipated, use the LVD function together with the POR function or implement an external reset circuit.
- A reset is generated only when the power level goes down to the VSS level as shown in (b) and power is turned on again after this condition continues for 100µs or longer.

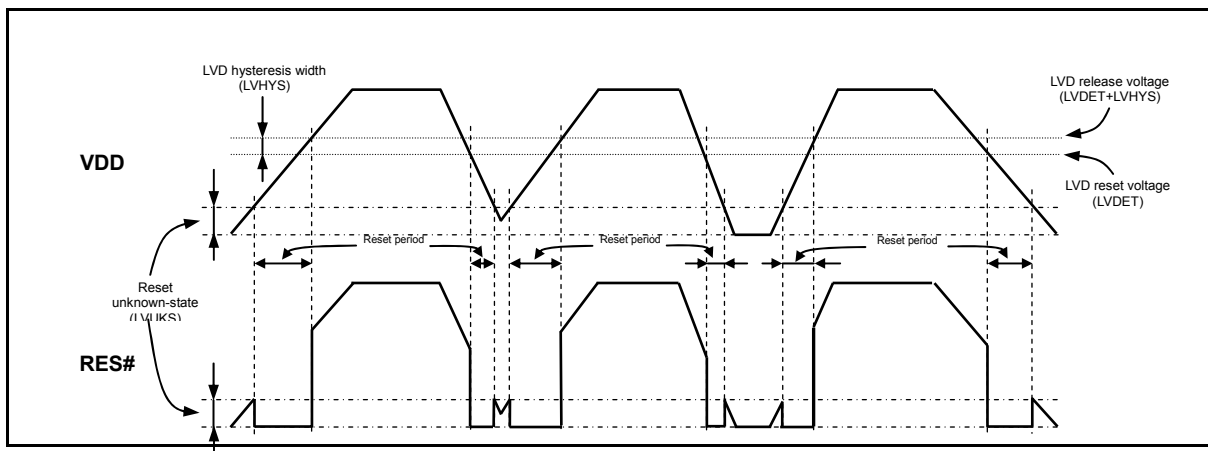
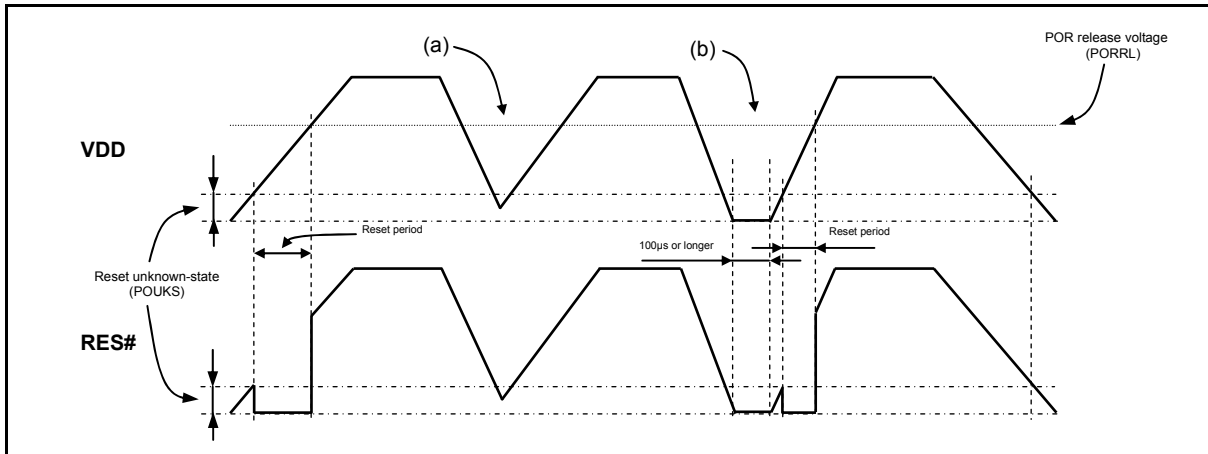
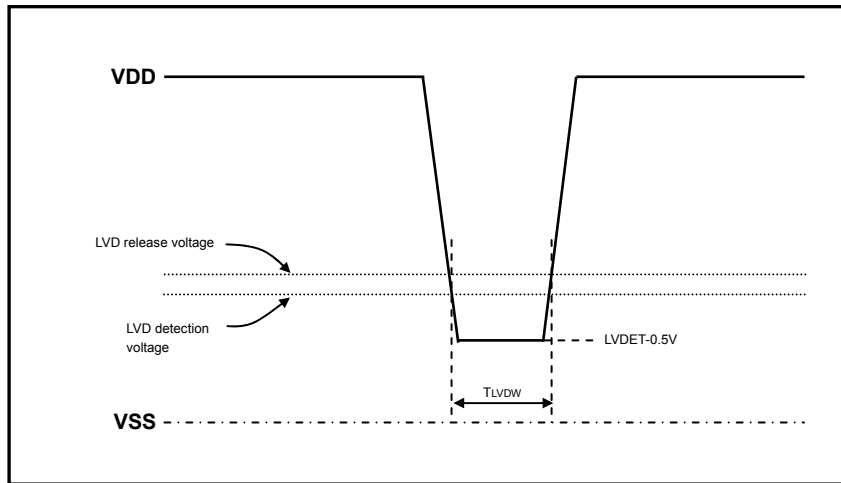


Figure 5 Example of waveforms observed when both POR and LVD functions are used (RESET pin: Pull-up resistor R_{RES} only)

- Resets are generated both when power is turned on and when the power level lowers.
- A hysteresis width (LVHYS) is provided to prevent the repetitions of reset release and entry cycles near the detection level.

LC87F0K08A



**Figure 6 Low voltage detection minimum width
(Example of momentary power loss / Voltage variation waveform)**

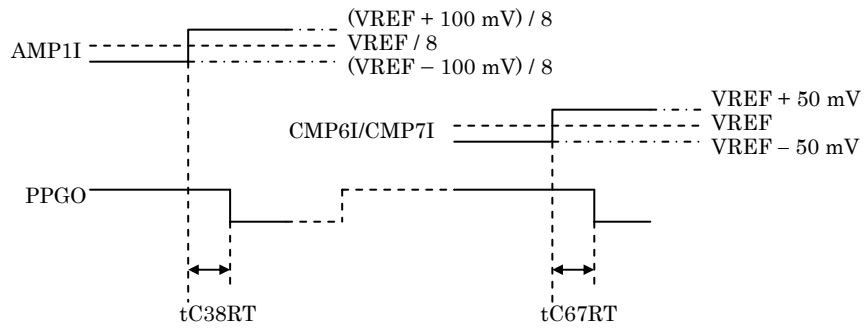


Figure 7 CMP response time

LC87F0K08A

ORDERING INFORMATION

Device	Package	Shipping (Qty / Packing)
LC87F0K08AUDA-E	DIP24S(300mil) (Pb-Free)	1100 / Fan-Fold

ON Semiconductor and the ON Semiconductor logo are trademarks of Semiconductor Components Industries, LLC dba ON Semiconductor or its subsidiaries in the United States and/or other countries. ON Semiconductor owns the rights to a number of patents, trademarks, copyrights, trade secrets, and other intellectual property. A listing of ON Semiconductor's product/patent coverage may be accessed at www.onsemi.com/site/pdf/Patent-Marking.pdf. ON Semiconductor reserves the right to make changes without further notice to any products herein. ON Semiconductor makes no warranty, representation or guarantee regarding the suitability of its products for any particular purpose, nor does ON Semiconductor assume any liability arising out of the application or use of any product or circuit, and specifically disclaims any and all liability, including without limitation special, consequential or incidental damages. Buyer is responsible for its products and applications using ON Semiconductor products, including compliance with all laws, regulations and safety requirements or standards, regardless of any support or applications information provided by ON Semiconductor. "Typical" parameters which may be provided in ON Semiconductor data sheets and/or specifications can and do vary in different applications and actual performance may vary over time. All operating parameters, including "Typicals" must be validated for each customer application by customer's technical experts. ON Semiconductor does not convey any license under its patent rights nor the rights of others. ON Semiconductor products are not designed, intended, or authorized for use as a critical component in life support systems or any FDA Class 3 medical devices or medical devices with a same or similar classification in a foreign jurisdiction or any devices intended for implantation in the human body. Should Buyer purchase or use ON Semiconductor products for any such unintended or unauthorized application, Buyer shall indemnify and hold ON Semiconductor and its officers, employees, subsidiaries, affiliates, and distributors harmless against all claims, costs, damages, and expenses, and reasonable attorney fees arising out of, directly or indirectly, any claim of personal injury or death associated with such unintended or unauthorized use, even if such claim alleges that ON Semiconductor was negligent regarding the design or manufacture of the part. ON Semiconductor is an Equal Opportunity/Affirmative Action Employer. This literature is subject to all applicable copyright laws and is not for resale in any manner.