

Continuation of schematic

Easy24-33 v6™

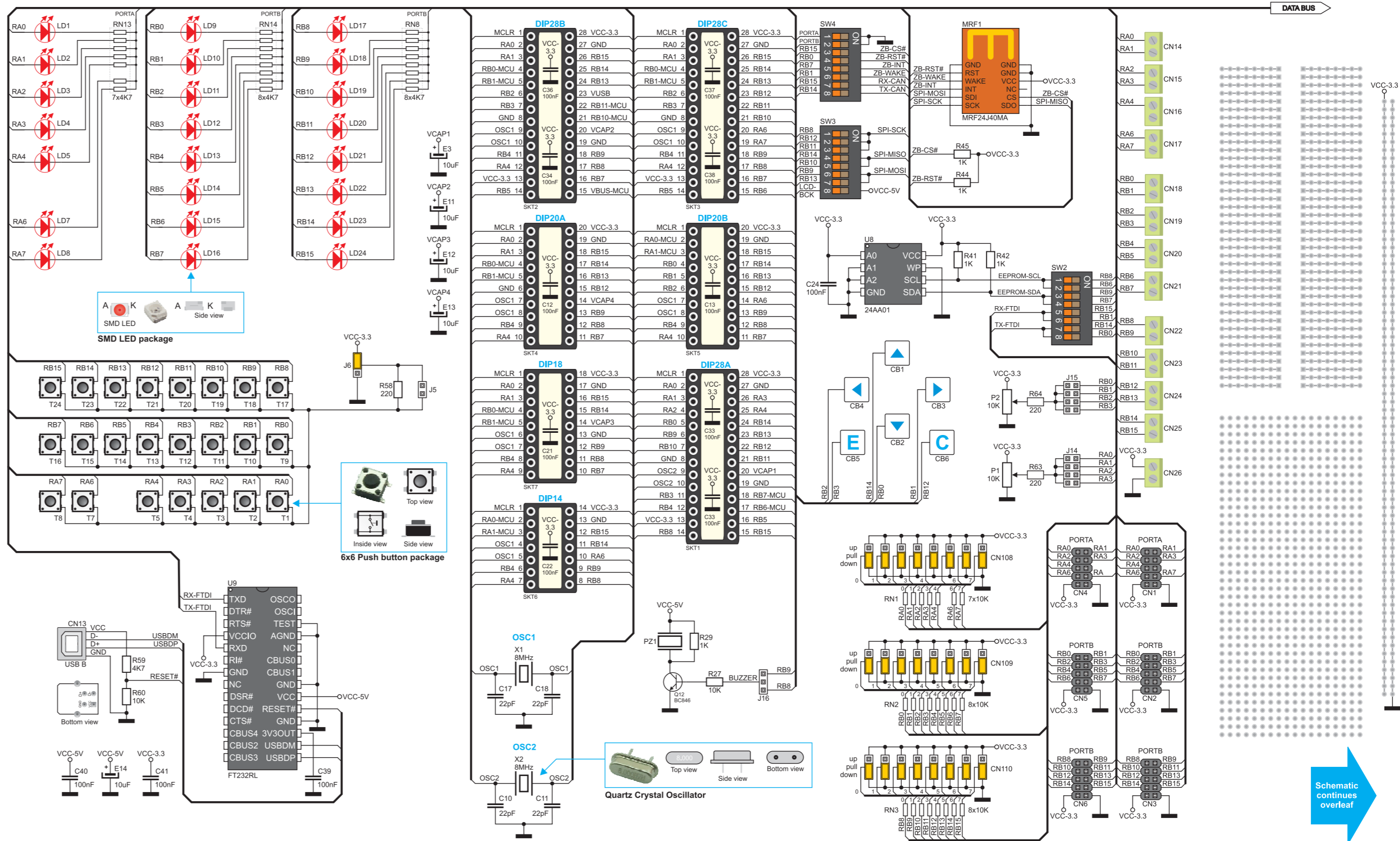
Electrical schematic

This document provides a complete electrical schematic of the Easy24-33 v6 development system. Such device has been designed carefully and due attention has been paid to choosing components thereof. This is why the most important parts of the system are manufactured in SMD (Surface Mounting Device) technology. Besides, the components are mounted by machines of the last generation using lead-free alloy for soldering. What we have now as a result is a high quality and reliable product that meets the world's highest standards being applied in electronics industry and environmental protection.

Development system

Built-in SMD component cases overview

 0805	 0805	 ELCO10 SMD	 ELCO10 SMD	 CASE B
 Ferrite 1206	 12.7x12.7mm	 IND 1812	 6x6 Push button	 4.5x4.5 Push button
 SMD Quartz	 SMD Quartz	 SMA	 PLCC-2 SMD LED	 SMB
 SOT23	 SOT23	 SOIC8	 SOIC16	 TSSOP-24pin
 Potentiometer	 Small connector	<p>Jumpers and selectors</p> <ul style="list-style-type: none"> 1 2: All pins are free 1 2: Pins 1 and 2 are connected 1 2 3: All pins are free 1 2 3: Pins 1 and 2 are connected, Pins 2 and 3 are disconnected 		<p>DIP switches</p> <ul style="list-style-type: none"> Switches 1, 2, 3 and 4 are ON Switches 5, 6, 7 and 8 are OFF



Schematic continues overleaf