

# Schematic for NCP565 ADJ Demonstration Board

ON Semiconductor



08/25/2003

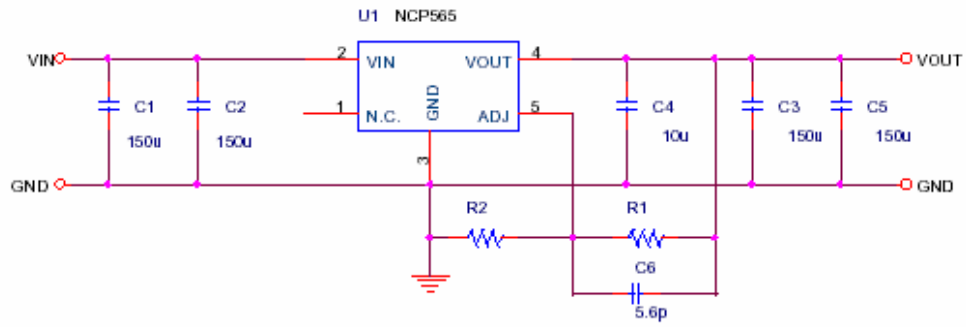


Figure 1: Schematic for NCP565 ADJ Demonstration Board