

LC DUPLEX PC MULTIMODE ADAPTOR
 ZIRCONIA ALIGNMENT SLEEVE

 Packaging
 100

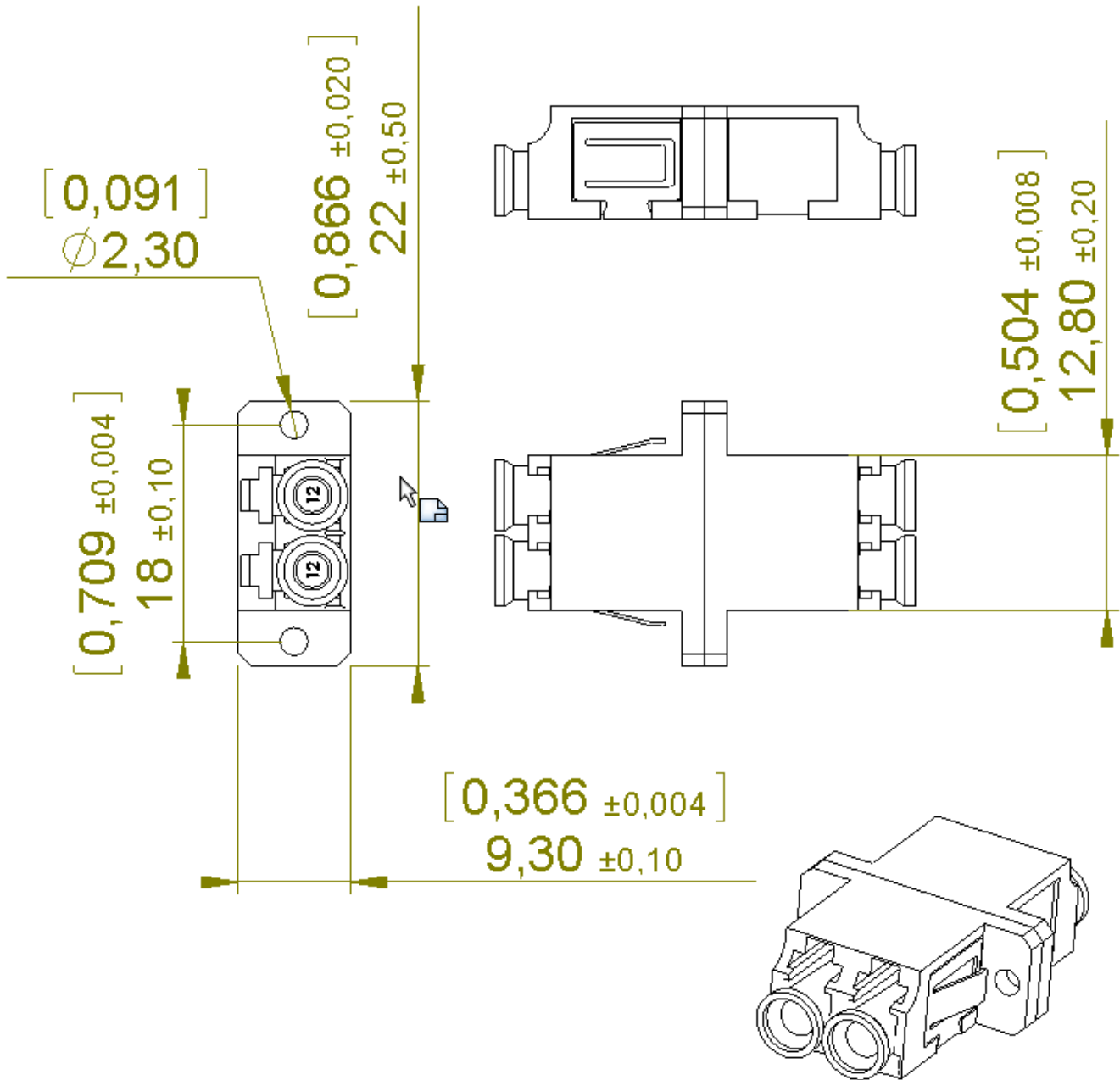
 Series
 LC

 Issue
 04/02/2011

 Page
 1 / 2

Adaptor : color AQUA

Duplex



Original dimensions in mm [inch]

LC DUPLEX PC MULTIMODE ADAPTOR
ZIRCONIA ALIGNMENT SLEEVEPackaging
100Series
LCIssue
04/02/2011Page
2 / 2

Adaptor : color AQUA

Duplex

GENERAL

- TYPE** IEC 61754-20 (LC)
RJ-45 latching system
Receptacle color : AQUA
- MOUNTING** Snap-in mounting
Max. panel thickness 1.7 mm
- ALIGNMENT SLEEVE** Zirconia

CHARACTERISTICS (Depending on fibre or cable construction)

- MATERIAL** Plastic molded : Material in accordance with TELCORDIA GR-326 CORE
Inflammability V0 (UL 94)
- MECHANICAL** Durability 200 cycles
- ENVIRONMENTAL** Storage temperature range -40 °C to +85 °C
Operating temperature range -40 °C to +70 °C

(Performance and specification : see document GEN - F727 001)