

SFP-10G Series

1-port 10 Gigabit Ethernet SFP+ modules



Features and Benefits

- Digital Diagnostic Monitor Function
- Compliant with IEEE 802.3ae
- SFF-8432 SFP+ MSA compliant
- Hot pluggable LC duplex connector
- Class 1 Laser International Safety Standard IEC 60825-1 compliant
- RoHS compliant

Certifications



Introduction

The SFP-10G Series 1-port 10 Gigabit Ethernet SFP+ modules are available as optional accessories for a wide range of Moxa switches.

Specifications

Ethernet Interface

Connectors	Duplex LC connector									
Optical Fiber	10G Ethernet SFP									
		SFP-SR				SFP-LR	SFP-ER	SFP-ZR		
	Transceiver Type	Multi-mode				Single-mode	Single-mode	Single-mode		
	Fiber Cable Type	OM1	OM2	OM3	OM4	G.652	G.652	G.652		
	Typical Distance	33 m	82 m	300 m	400 m	10 km	40 km	80 km		
	Wave-length	Typical (nm)	850				1310	1550	1550	
		TX Range (nm)	840 to 860				1260 to 1355	1530 to 1565	1530 to 1565	
		RX Range (nm)	840 to 860				1260 to 1355	1530 to 1565	1530 to 1565	
	Optical Power	TX Range (dBm)	-1 to -5				-8.2 to +0.5	-1 to +2	0 to +4	
		Max. Rx (dBm)	+0.5				+0.5	-1	-7	
		Link Budget (dB)	8.3				7.4	15	23	
		Dispersion Penalty (dB)	3.9				3.2	3	3	
	<p>Note: When connecting the SFP-ER or SFP-ZR, we recommend using an attenuator to prevent damage caused by excessive optical power.</p> <p>Typical Distance: To reach the typical distance of specified fiber transceiver, please refer to formula: Link budget(dB) > dispersion penalty(dB) + total link loss(dB)</p>									

Power Parameters

Power Consumption	<p>SFP-10GSRLC: Max. 1.5 W</p> <p>SFP-10GLRLC: Max. 1.5 W</p> <p>SFP-10GERLC: Max. 1.5 W</p> <p>SFP-10GSRLC-T: Max. 1 W</p> <p>SFP-10GLRLC-T: Max. 1 W</p> <p>SFP-10GERLC-T: Max. 2.2 W</p> <p>SFP-10GZRLC-T: Max. 2.5 W</p>
-------------------	--

Environmental Limits

Operating Temperature	<p>Standard Models: 0 to 60°C (32 to 176°F)</p> <p>Wide Temp. Models: -40 to 85°C (-40 to 185°F)</p> <p>Note: When the SFP-10GERLC is used with the ICS-G7750A/G7752A/G7850A/G7852A series, the operating temperature is 0 to 55°C (32 to 131°F)</p> <p>Note: Wide temperature SFP-10G can be used with ICS-G7526A/G7528A/G7826A/G7828A series only. When the SFP-10GZRLC-T used, the operating temperature is -40 to 60°C (-40 to 176°F)</p>
Storage Temperature (package included)	-40 to 85°C (-40 to 185°F)
Ambient Relative Humidity	5 to 95% (non-condensing)

Standards and Certifications

Safety	Standard Models: CE, FCC, TÜV, UL 60950-1, Wide Temp. Models: CE, FCC, IEC 60825-1, UL 62368-1, IEC 62368-1, EN 62368-1
--------	---

Warranty

Warranty Period	5 years
Details	See www.moxa.com/warranty

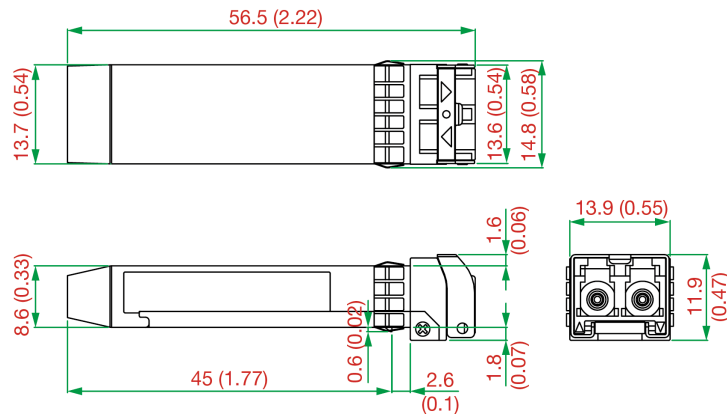
Package Contents

Device	1 x SFP-10G Series module
Documentation	1 x warranty card

Dimensions

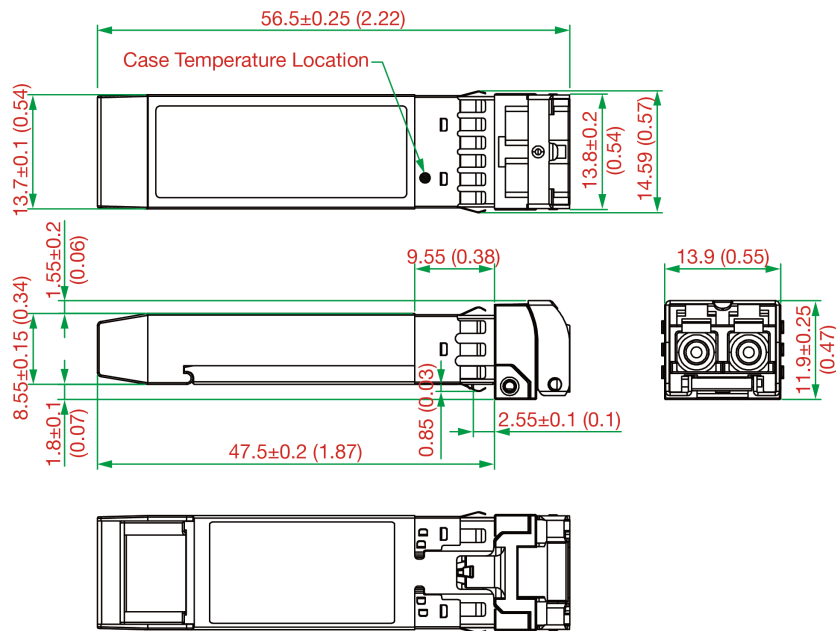
SFP-10G Series Standard Temperature Models

Unit: mm (inch)



SFP-10G Series Wide Temperature Models

Unit: mm (inch)



Ordering Information

Model Name	Ports	Connector	Transmission Distance	Operating Temp.
SFP-10GSRLC	1 x 10GBase-SR, multi-mode	LC	33 m/300 m	0 to 60°C
SFP-10GSRLC-T	1 x 10GBase-SR, multi-mode	LC	33 m/82 m/300 m/400 m	-40 to 85°C

Model Name	Ports	Connector	Transmission Distance	Operating Temp.
SFP-10GLRLC	1 x 10GBase-LR, single-mode	LC	10 km	0 to 60°C
SFP-10GLRLC-T	1 x 10GBase-LR, single-mode	LC	10 km	-40 to 85°C
SFP-10GERLC	1 x 10GBase-ER, single-mode	LC	40 km	0 to 60°C
SFP-10GERLC-T	1 x 10GBase-ER, single-mode	LC	40 km	-40 to 85°C
SFP-10GZRLC-T	1 x 10GBase-ZR, single-mode	LC	80 km	-40 to 85°C

© Moxa Inc. All rights reserved. Updated Jan 13, 2020.

This document and any portion thereof may not be reproduced or used in any manner whatsoever without the express written permission of Moxa Inc. Product specifications subject to change without notice. Visit our website for the most up-to-date product information.