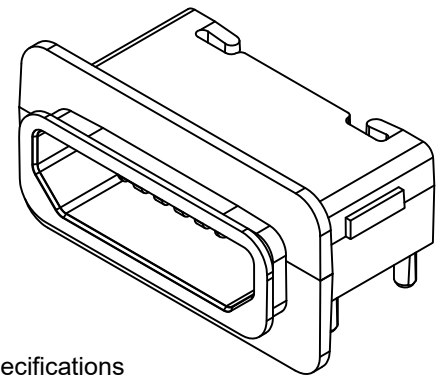


**Recommended PCB Layout**  
 As viewed from component side Tolerance: ±0.03mm  
 Recommended PCB Thickness: 0.60mm  
 [Hatched Box] Solder Area [Dashed Box] Component Outline



**Specifications**

**Material**

Insulator: High Temp. Plastic UL 94V-0, Black  
 Contact: Copper Alloy  
 Shell (including pegs): Stainless Steel

**Plating**

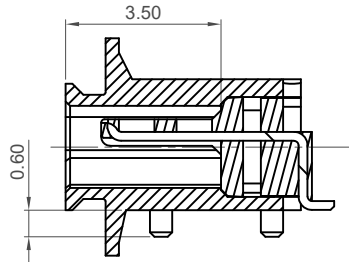
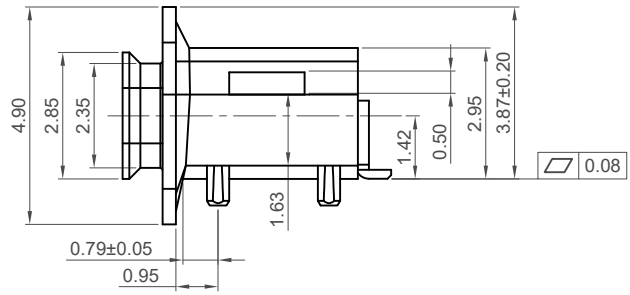
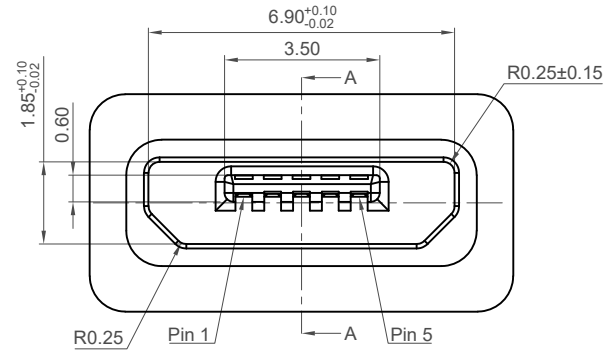
Contact  
 Contact Area: 30µ" Gold  
 Solder Tails: 75µ"-150µ" Matte Tin  
 Under Plating: 50µ" Min Nickel  
 Shell: 50µ"-80µ" Nickel over all

**Electrical**

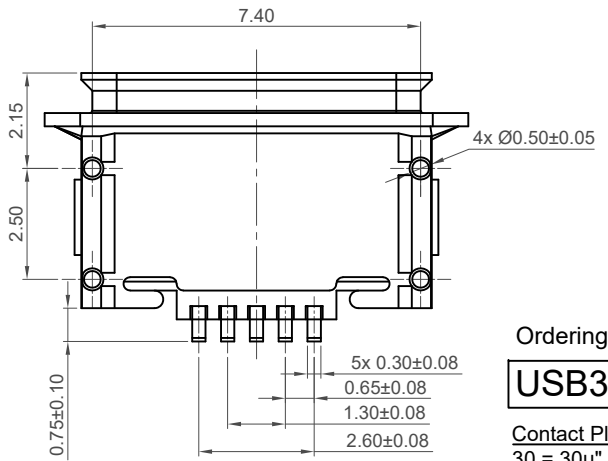
Current Rating: Signal (Pins 2,3,4): 1.0A  
 Power (Pins 1,5): 1.8A  
 Voltage Rating: 30V AC  
 Contact Resistance: 30mΩ max.  
 Dielectric Withstanding Voltage: 100V AC  
 Insulation Resistance 1000MΩ min

**Mechanical & Environmental**

Operating Temperature: -30°C to +85°C  
 Mating Force: 35N max.  
 Unmated Force: 8N min.  
 Durability: 10,000 cycles  
 Ingress Protection Rating: IP67



Section A-A



**Ordering Grid**

**USB3505** — **30** — **A** Request Samples and Quotation

Contact Plating: 30 = 30µ" Gold  
 Packing Options: A = Tape & Reel (1,000 per reel)

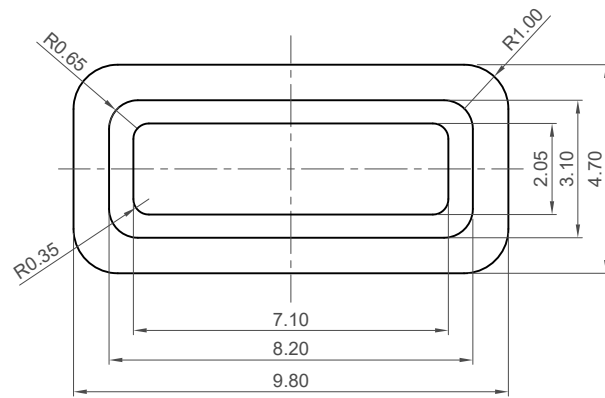
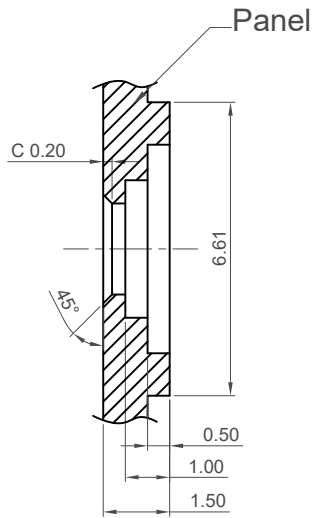
Part Number		Product Description	
USB3505		Micro USB Type B Receptacle, Top-Mount, IP67	
Drawing Date		6th September 2019	
By	CC	Tolerances (Except as Noted)	Units:
Detail	USB3505 B PCN	Length: X. ± 0.50	Metric (mm)
Revision	B2	PCN: X.X ± 0.30	± 1°
Date	22/06/22	XXX: X.XX ± 0.20	3rd Angle Projection
		XXX: X.XXX ± 0.10	



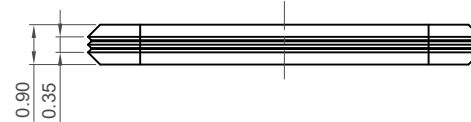
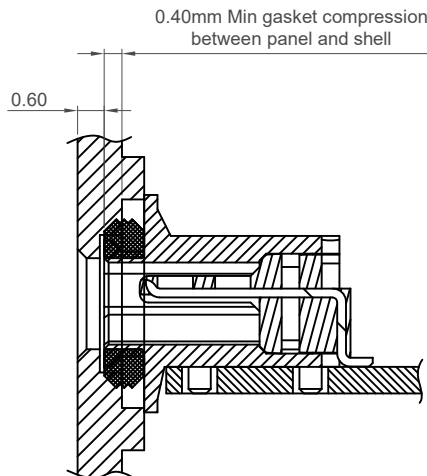
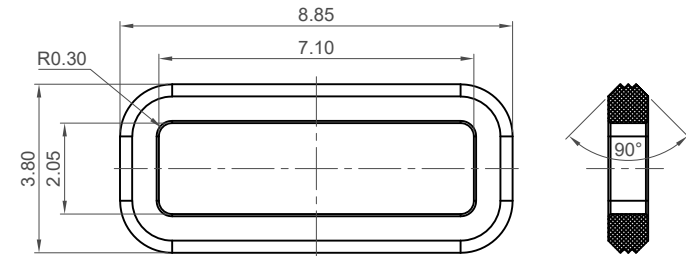
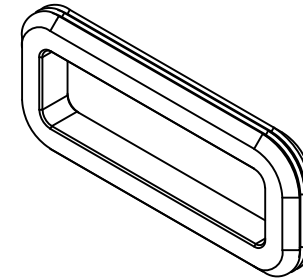
This drawing is confidential and copyright of Global Connector Technology, Ltd (GCT). This drawing must not be copied or disclosed without written consent. E & OE



Not to Scale	Drawn By CC	Sheet No. 1/4
--------------	-------------	---------------



**Recommended Panel Spec**  
Tolerance:  $\pm 0.05\text{mm}$



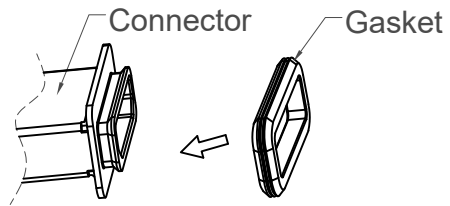
**Recommended Waterproof Gasket Spec**  
Gasket Part No.: USBTJ-02  
(Gasket must be ordered separately)  
(See separate datasheet for specification)

(Suggest compression 40-50% of gasket thickness)

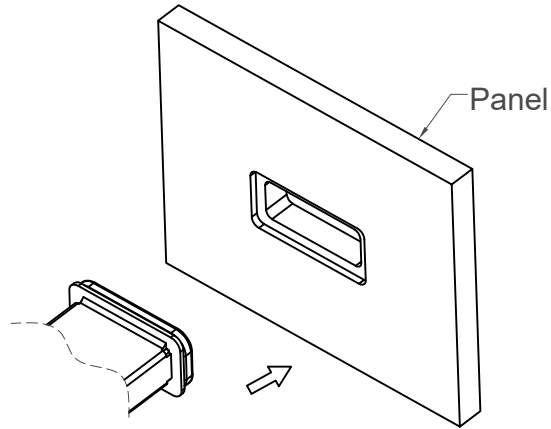
Part Number		Product Description		<b>GCT</b> www.gct.co
USB3505		Micro USB Type B Receptacle, Top-Mount, IP67		
Drawing Date		6th September 2019		
By	CC	Tolerances (Except as Noted)	Units:	 This drawing is confidential and copyright of Global Connector Technology, Ltd (GCT). This drawing must not be copied or disclosed without written consent. E & OE
Detail	USB3505 B PCN	Length	Metric (mm)	
Revision	B2	Angle	$\pm 1^\circ$	
Date	22/06/22	X. $\pm 0.50$		
		X.X $\pm 0.30$		
		X.XX $\pm 0.20$		
		X.XXX $\pm 0.10$		

**GCT**  
www.gct.co

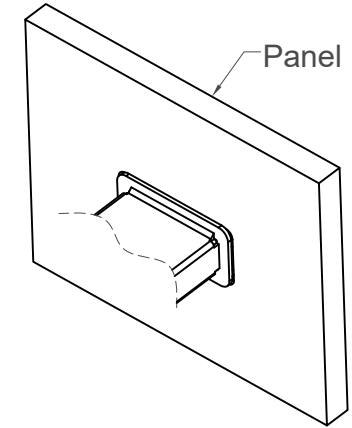
Not to Scale | Drawn By CC | Sheet No. 2/4



Step 1







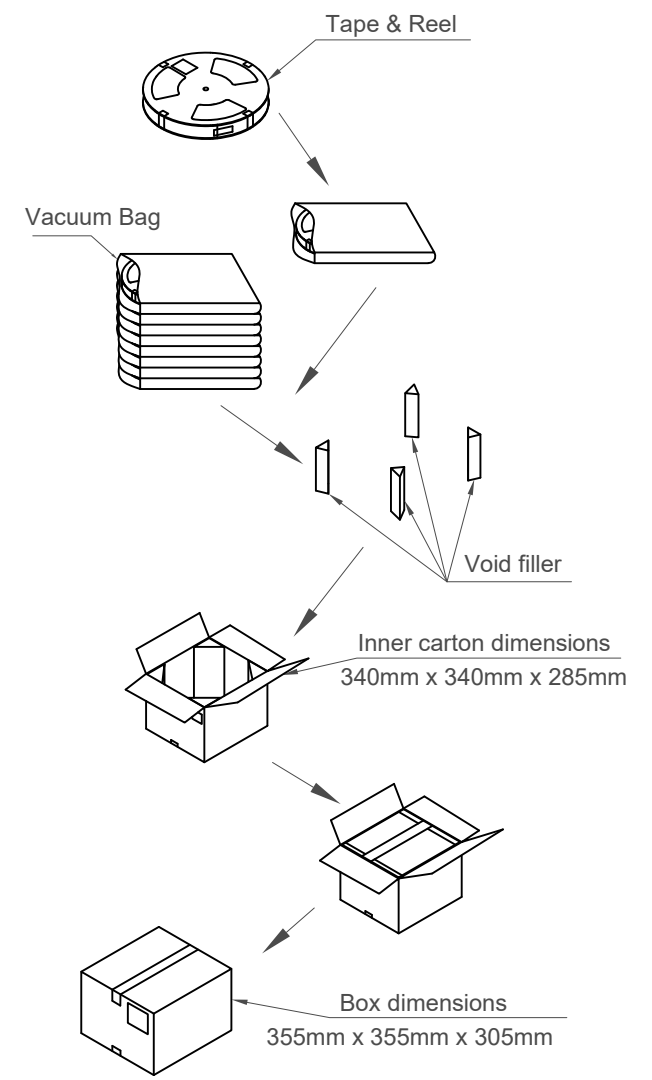
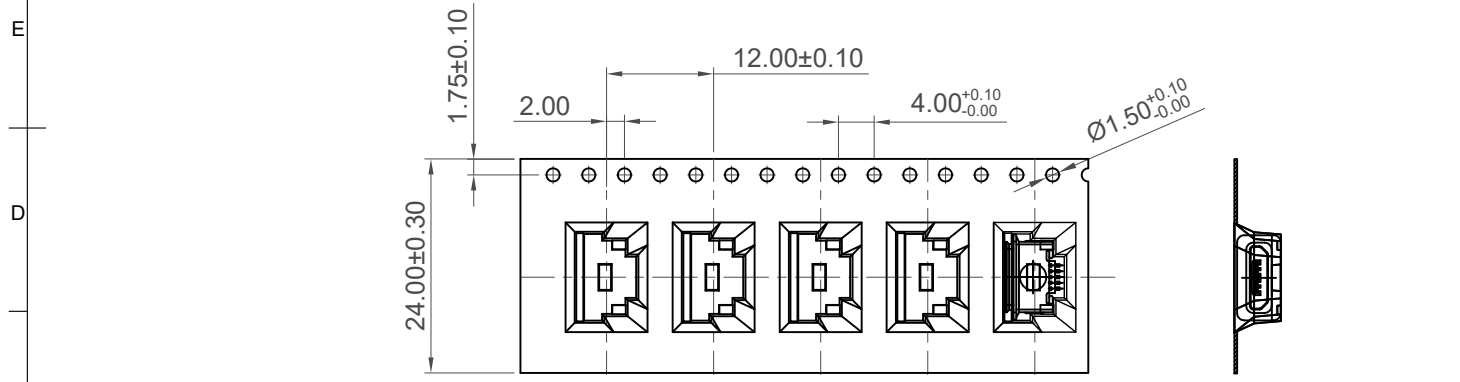
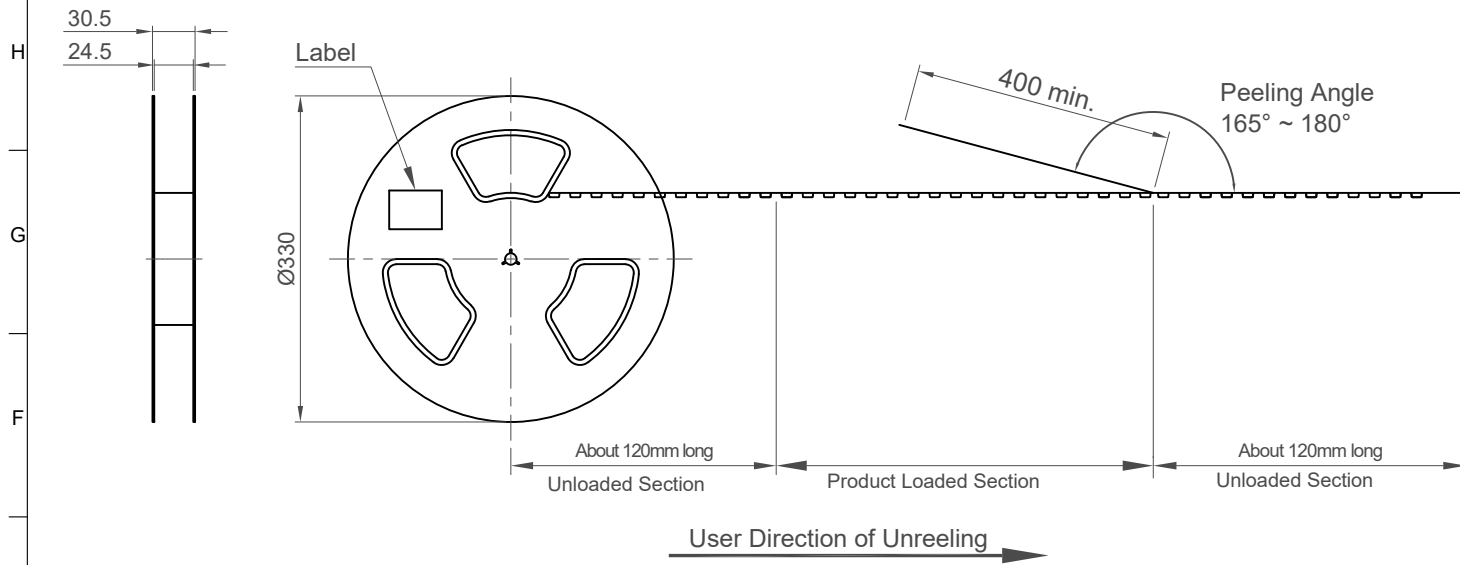
Step 2



Step 3

Assembly instruction for Gasket set after Reflow  
Available for Micro USB Waterproof Series

Part Number		Product Description		 <a href="http://www.gct.co">www.gct.co</a>
USB3505		Micro USB Type B Receptacle, Top-Mount, IP67		
Drawing Date		6th September 2019		
By		CC		
Detail	USB3505 B PCN	Tolerances (Except as Noted)	Units:	  This drawing is confidential and copyright of Global Connector Technology, Ltd (GCT). This drawing must not be copied or disclosed without written consent. E & OE
Revision	B2	Length	Angle	
Date	22/06/22	 3rd Angle Projection		
		Not to Scale	Drawn By CC	Sheet No. 3/4



Pcs / Reel	Reels / Carton	Total Quantity
1000	9	9000

Notes:  
Peeling off force of top tape: 0.1-1.3N (Peeling direction as shown)

Materials:  
Carrier Tape: Polystyrene (PS)  
Top Tape: PE  
Reel Tape: Polystyrene (PS)  
Bag: PE

Part Number		Product Description	
USB3505		Micro USB Type B Receptacle, Top-Mount, IP67	
Drawing Date		6th September 2019	
By	CC	Tolerances (Except as Noted)	Units:
Detail	USB3505 B PCN	Length	Metric (mm)
Revision	B2	Angle	3rd Angle Projection
Date	22/06/22		



This drawing is confidential and copyright of Global Connector Technology, Ltd (GCT). This drawing must not be copied or disclosed without written consent. E & OE



Not to Scale	Drawn By CC	Sheet No. 4/4
--------------	----------------	------------------