

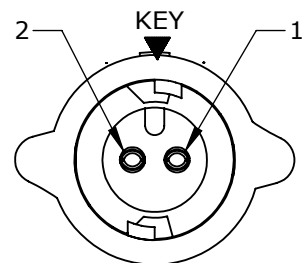
MFG. ENG.	APPROVED BY:	DATE:	APPROVED BY:	DATE:
		QA		

ASS'Y P/N	CONTACT QTY.	CABLE O.D. RANGE
W16282-2SG-P-311	2	0.09 - 0.14 [2.3 - 3.6]
W16282-2SG-P-315	2	0.15 - 0.17 [3.8 - 4.3]
W16282-2SG-P-318	2	0.18 - 0.20 [4.6 - 5.1]
W16282-3SG-P-311	3	0.09 - 0.14 [2.3 - 3.6]
W16282-3SG-P-315	3	0.15 - 0.17 [3.8 - 4.3]
W16282-3SG-P-318	3	0.18 - 0.20 [4.6 - 5.1]
W16282-XSG-P-3XX		

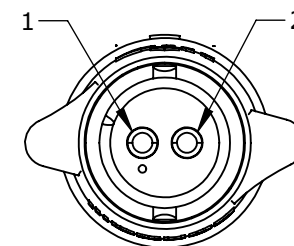
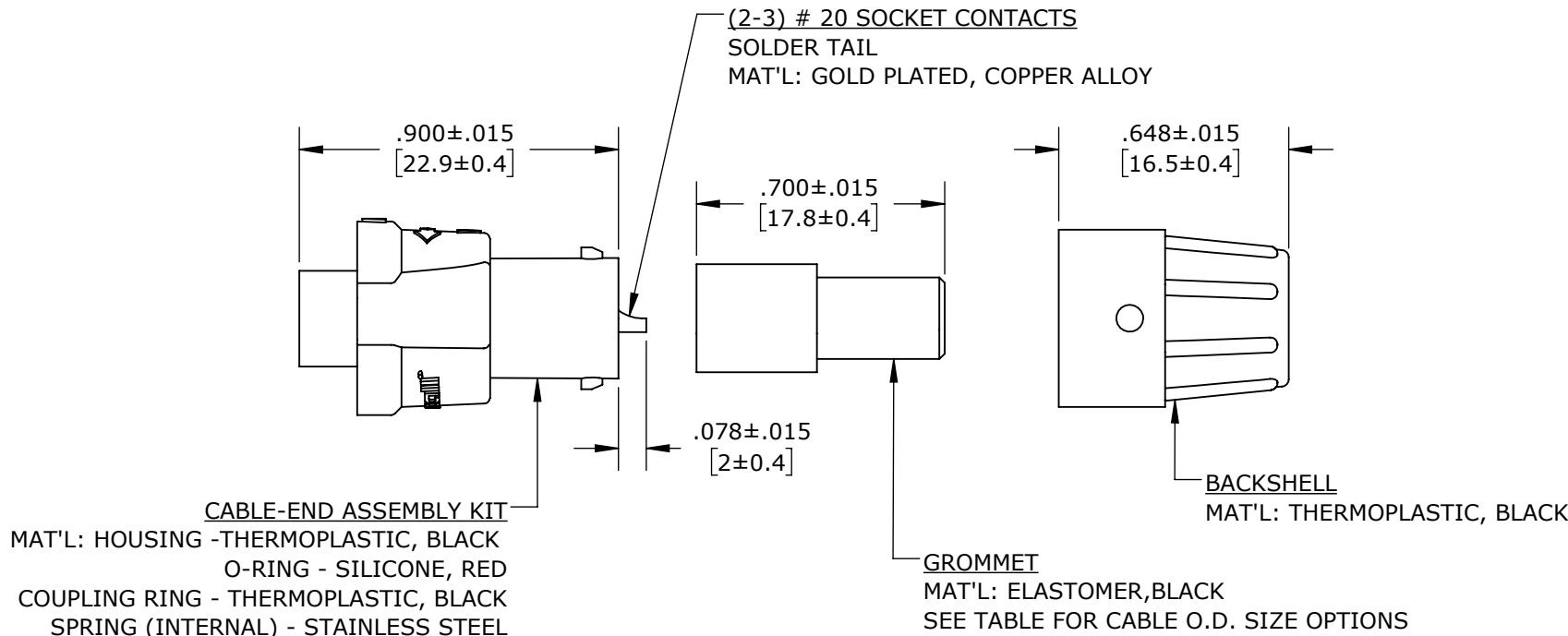
**NOTES:**

1. ALL PARTS ARE BULK PACKED.
2. REFER TO DRAWING HPMCSTD FOR CONTACT PATTERNS.
3. ALL DIMENSIONS ARE REFERENCE ONLY IN INCHES [mm], WITHIN ±0.015 UNLESS OTHERWISE NOTED.

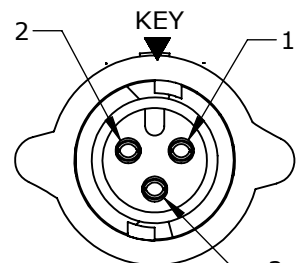
# OF CONTACTS — GROMMET SIZE = CABLE O.D. RANGE:  
 311 = 0.09 - 0.14 [2.3 - 3.6]  
 315 = 0.15 - 0.17 [3.8 - 4.3]  
 318 = 0.18 - 0.20 [4.6 - 5.1]



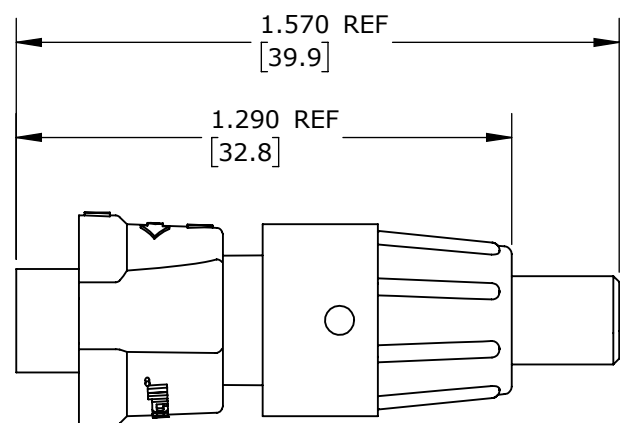
**FACE VIEW**  
W16282-2SG-P-3XX



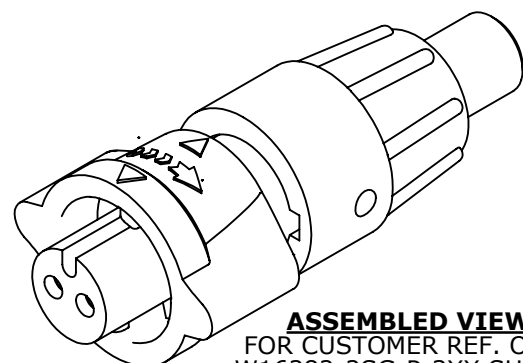
**WIRING VIEW**  
W16282-2SG-P-3XX



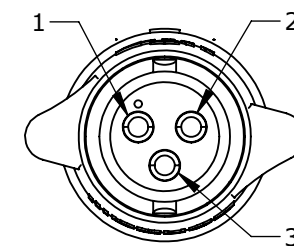
**FACE VIEW**  
W16282-3SG-P-3XX



**ASSEMBLED VIEW**  
FOR CUSTOMER REF. ONLY



**ASSEMBLED VIEW**  
FOR CUSTOMER REF. ONLY  
W16282-2SG-P-3XX SHOWN



**WIRING VIEW**  
W16282-3SG-P-3XX

**CUSTOMER APPROVAL**

THIS DOCUMENT CONTAINS CONFIDENTIAL INFORMATION PROPRIETARY TO CONXALL CORPORATION. ANY REPRODUCTION, DISCLOSURE, OR USE OF THIS DOCUMENT /INFORMATION IS EXPRESSLY PROHIBITED UNLESS AUTHORIZED IN WRITING BY CONXALL CORPORATION.

APPROVED BY: \_\_\_\_\_  
DATE: \_\_\_\_\_

DIMENSIONS IS BRACKETS [ ] ARE METRIC

**PRELIMINARY**

**RoHS COMPLIANT**

0A	JGK	09/06/19	DRAWING CREATED FOR PDR #18004.	
REV.	INIT.	DATE	DESCRIPTION	
	JGK	9/06/19	ALL INFORMATION ILLUSTRATED IS THE PROPERTY OF "CONXALL CORPORATION." UNAUTHORIZED DUPLICATION OR DISTRIBUTION OF THIS DOCUMENT IS PROHIBITED. ALL UNITS ARE IN FEET, INCHES, FRACTION OF INCHES AND DECIMALS. UNLESS OTHERWISE SPECIFIED TOLERANCES: 3 PLACE DECIMALS ±.005 ANGLES ±1° FRACTIONS ±1/16 ▽ - CRITICAL CHARACTERISTIC FLAG PER SPEC. XXXX	
APPROVED BY:			 601 E. WILDWOOD VILLA PARK, IL 60181	
TITLE:			CABLE-END ASSEMBLY	
SCALE:			2-3 #20 SOCKET CONTACTS, SOLDER	
SIZE:			INSTA-CLICK, MICRO-CON-X	
SHEET:			STANDARD PRODUCT	
FILE:			CUSTOMER:	
W16282-XSG-P-3XX			W16282-XSG-P-3XX	
DIRECTORY:			PART NUMBER:	
SLW			W16282-XSG-P-3XX	
			REV 0A	

CUSTOMER PRINT

PART NUMBER: W16282-XSG-P-3XX