

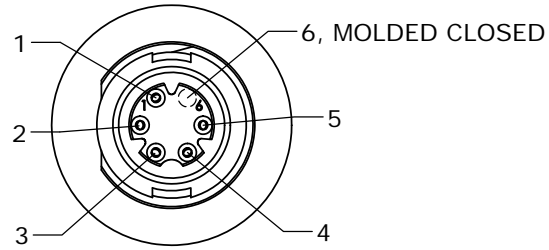
CUSTOMER PRINT

PART NUMBER: 17982-XSG-300

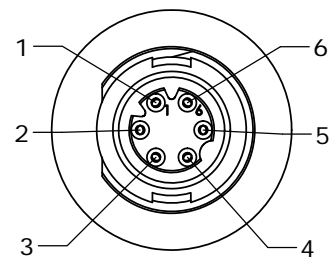
ASS'Y P/N	CONTACT QTY.	KEY STYLE
17982-5SG-300	5 - #26	A-KEY
17982-6SG-300	6 - #26	B-KEY
17982-7SG-300	7 - #26	A-KEY

NUMBER OF CONTACTS

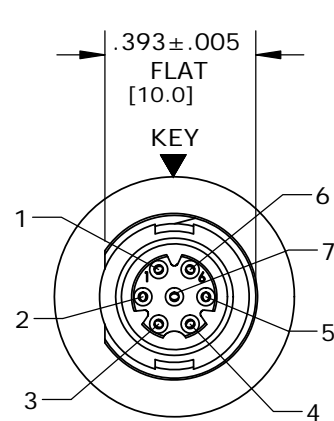
- NOTES:
1. ALL PARTS ARE TO BE BULK PACKED.
 2. CONTACTS ARE ASSEMBLED INTO PANEL CONNECTOR.
 3. SOLDER CUPS ARE TO BE FACING OUTWARD RADIALLY. CENTER CONTACT SHOULD BE FACING BETWEEN POSITIONS 1 & 6.
 4. ALL DIMENSIONS ARE REFERENCE EXCEPT THOSE WITH A TOLERANCE.



FACE VIEW
17982-5SG-300
5 POSITION
A-KEY



FACE VIEW
17982-6SG-300
6 POSITION
B-KEY

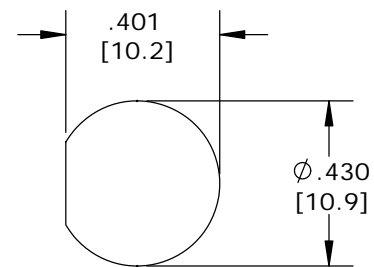


FACE VIEW
17982-7SG-300
7 POSITION
A-KEY

HEX NUT
5/8 IN. ACROSS FLATS
MAT'L: NYLON, BLACK

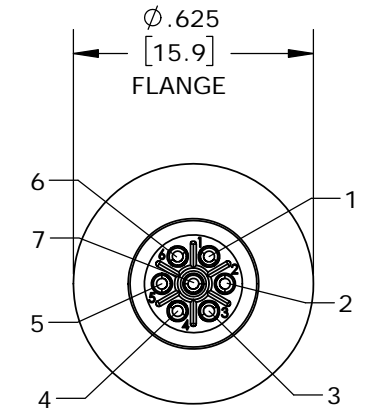
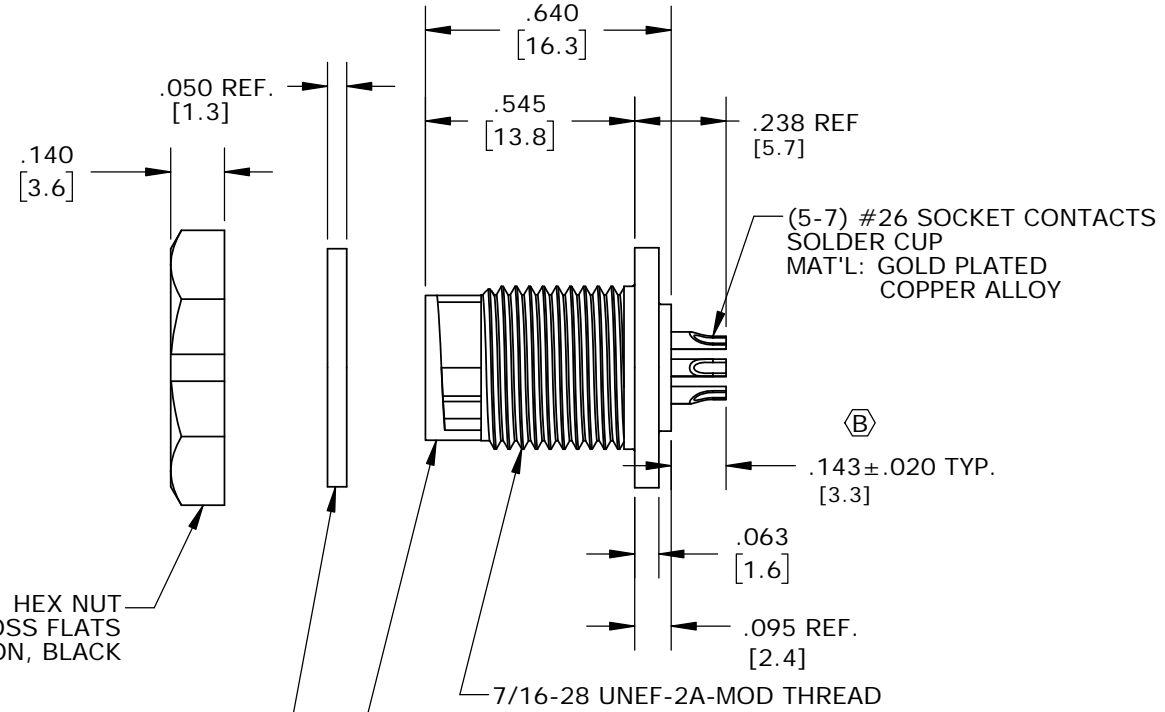
GASKET
MAT'L: RUBBER, BLACK

PANEL CONNECTOR, FEMALE
MAT'L: NYLON, BLACK

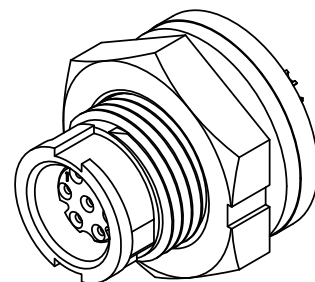


RECOMMENDED
PANEL CUT-OUT
TOLERANCE: ±.003

DIMENSIONS IN BRACKET [] ARE METRIC.



WIRE VIEW
SHOWN 17982-7SG-300



CUSTOMER APPROVAL

THIS DOCUMENT CONTAINS CONFIDENTIAL INFORMATION PROPRIETARY TO CONXALL CORPORATION. ANY REPRODUCTION, DISCLOSURE, OR USE OF THIS DOCUMENT / INFORMATION IS EXPRESSLY PROHIBITED UNLESS AUTHORIZED IN WRITING BY CONXALL CORPORATION.

APPROVED BY: _____
DATE: _____

RoHS COMPLIANT

B	MA	10-27-17	CONTACT LOCATION DIM WAS .130 ±.010 PER ECR 9211 #1
A	AN	11-07-11	DRAWING CREATED PER DOR 11-E149SL
REV.	INIT.	DATE	DESCRIPTION
	PAK	07/19/11	ORIG. DRAWN BY: DATE: PAK 07/19/11
ALL INFORMATION ILLUSTRATED IS THE PROPERTY OF CONXALL CORPORATION. UNAUTHORIZED DUPLICATION OR DISTRIBUTION OF THIS DOCUMENT IS PROHIBITED.			<p>601 E. WILDWOOD VILLA PARK, IL 60181</p>
ALL UNITS ARE IN FEET, INCHES, FRACTION OF INCHES AND DECIMALS. UNLESS OTHERWISE SPECIFIED TOLERANCES: 3 PLACE DECIMALS ±.010 ANGLES ±1° FRACTIONS ±1/16			
APPROVED BY: _____			TITLE: PANEL CONNECTOR ASSEMBLY #26 SOCKET CONTACTS, SOLDER TAIL MICRO-CON-X, A-KEY & B-KEY STANDARD PRODUCT
SCALE	SIZE	SHEET	CUSTOMER:
NTS	B	1 OF 1	17982-XSG-300
FILE:	DIRECTORY:	PART NUMBER:	REV
17982-XSG-300	SLW	17982-XSG-300	B