

NOTES: VALID UNLESS OTHERWISE SPECIFIED

1. GENERAL:

- a. APPLICATION SPECIFICATION: AS-31386-200
- b. PRODUCT SPECIFICATION: PS-31387-200
- c. PACKAGING SPECIFICATION: PK-31301-916
- d. PARTS MUST BE IN COMPLIANCE TO MOLEX CHEMICAL SUBSTANCES FOR PRODUCTS AND PACKAGING SPECIFICATION: ES-40000-5016
- e. DATA MUST BE SUBMITTED UNDER THE MOLEX PART NUMBER TO IMDS (COMPANY ID#13255)
- f. DIMENSIONS AND TOLERANCES ARE VALID FOR AS SHIPPED SHROUD ASSEMBLY
- g. REFERENCE GM INTERFACE CONTROL DRAWINGS (ICD)
 - 1. 12582682 (Au)
 - 2. 12642695 (Ag)

2. DESIGN - MATERIALS:

- a. PLASTIC: PBT 30% GF - SEE CHART FOR COLOR
- b. SIGNAL PIN PLATING:
 - UNDERPLATE: NICKEL 1.27-2.54 μ m
 - SELECT GOLD OPTION: 0.76 μ m MIN.
 - SELECT SILVER OPTION: 1.90-3.30 μ m MIN
 - SOLDER TAIL SELECT TIN: 5.08-10.16 μ m BRIGHT FINISH

3. DESIGN - GEOMETRY:

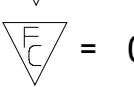

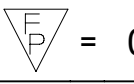
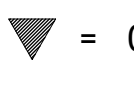
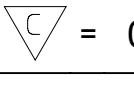
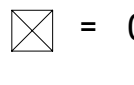
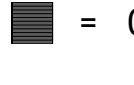
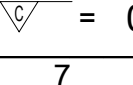

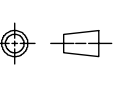
- a. THIS IS A 100% CAD GENERATED PART. THE CAD MATHEMATICAL DATA IS THE MASTER FOR ALL NON-DIMENSIONAL FEATURES. DRAWING DIMENSIONS SHALL BE MET WHEN DIFFERENCES EXIST BETWEEN THE DRAWING AND THE CAD MODEL. UNDERLINED DIMENSIONS OR DIMENSIONS INDICATED AS "EDITED" MAY BE DIFFERENT FROM THE 3D MODEL GEOMETRY. FOR DIMENSIONAL OR ANY INFORMATION NOT SHOWN ON THIS DRAWING, ANALYZE THE CAD MODEL.
- b. PRODUCT DESIGN MODEL NUMBER(S): SEE BOM TABLE
- c. GEOMETRIC DIMENSIONS AND TOLERANCES PER ASME Y14.5M-1994
- d. GENERAL TOLERANCES - SEE TABLE

4. DESIGN - MANUFACTURING:

- a. HUMAN READABLE LASER MARKING
 - 1. INFORMATION TO BE PRINTED:
 - DDDY - 4 DIGIT JULIAN DATE CODE
 - S_HH - STITCHER NUMBER_HOUR NUMBER (24 HOUR CLOCK)
 - MMMM - LAST FOUR DIGITS OF MOLEX MATERIAL NUMBER
 - 2. SIZE: HUMAN LEGIBLE
- b. PIN MATE SIDE AND PCB SIDE TRUE POSITION TO BE VERIFIED ONLINE WITH A GO/NO-GO FUNCTIONAL GAGE.
- c. ANTI-TARNISH FOR Ag PLATING ONLY: SYTHETIC HYDROCARBON CONTACT SURFACE FINISH OR EQUIVALENT APPLIED WITHOUT VOID TO CONTACT AREA (MIN. 3.7mm FROM PIN TIP).
- d. VISUAL DEFECTS SHALL MEET COSMETIC STANDARD PS-45499-002 (CLASS B). WITHIN THE SEALING SURFACE/ZONE SUCH AS PARTING LINES, MISMATCHES, SINK, TEXTURE VARIATIONS, SCRATCHES/GOUGES, SHORT FILL, PROTRUSIONS, PITS, DENTS/NICKS, BLISTERS OR EJECTOR MARKS.

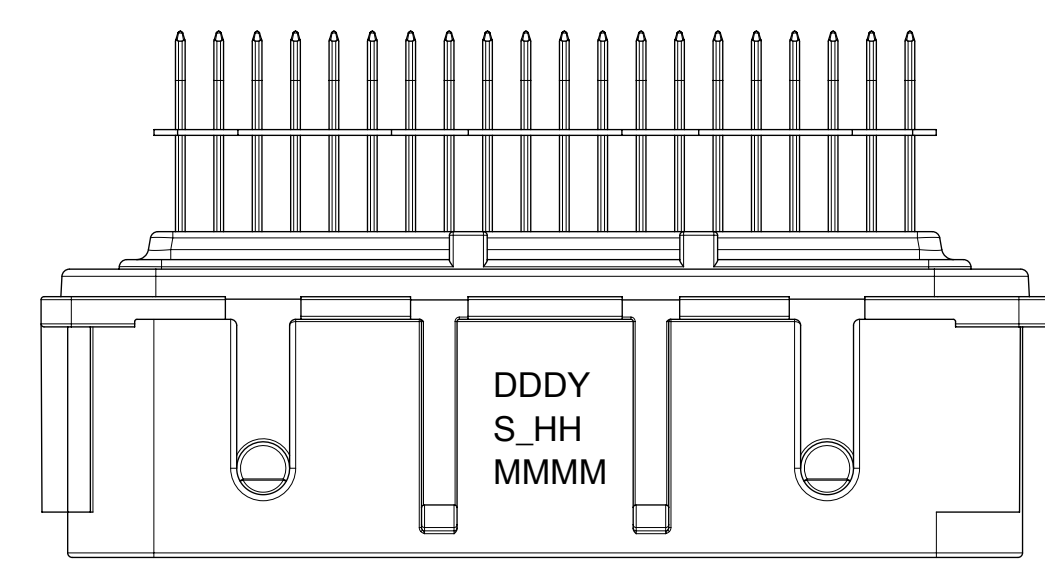
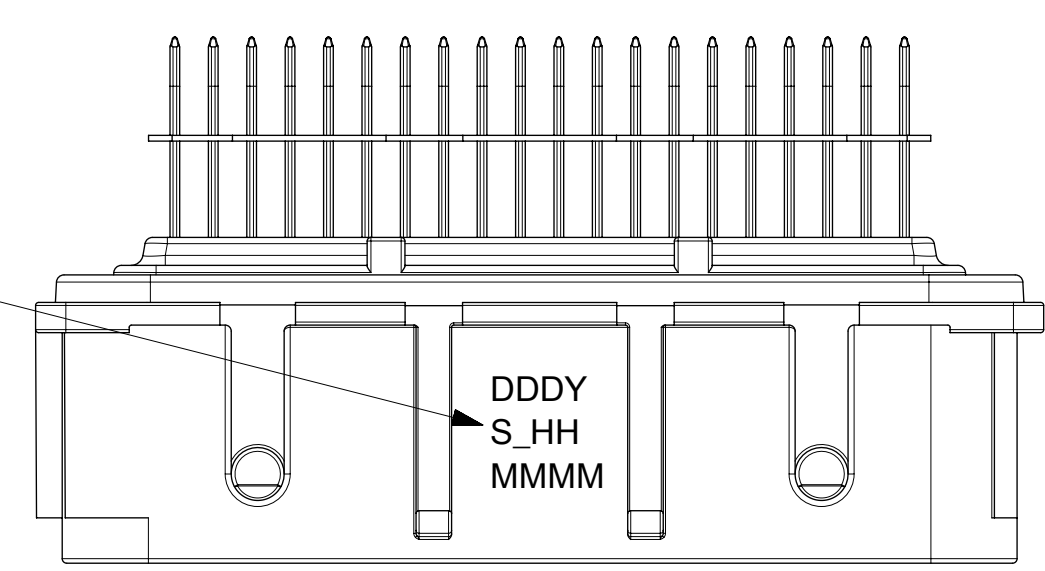
INSPECTION BALLOON NUMBER LOG	
PER DRAWING REVISION: B6	
LAST BALLOON NUMBER: 47	
ADDED BALLOON NUMBER: 1 2 8 10 11 19 20 24 25 26 27 28 29 30 31 32 33 34 35	
36 37 38 39 40 41 42 43 44 46 47	
DELETED INSPECTION BALLOON NUMBER: 3 4 5 6 7 9 12 13 14 15 16 17 18 21 22 23 45	

B11	UPATED PCN 505530 FOR MINOR DRAFT AND RADII
B10	NX REMASTERING
B9	CORRECTED KEY H 'DIM B' VALUE
B8	CORRECTED KEY H 'DIM A' VALUE; CHANGE STATUS TO SALEABLE
B7	UPDATED NOTE 1c SAP# 10595870
B6	ADDED NOTE 4d, e & SEALING ZONE ON PG 2 SAP# 10586362
B5	ADDED BALLOON NUMBERS 1,2,10,11,19,20, 24-44,46,47; DELETED BALLOON NUMBERS 3-7,9,12-15,17, 18, 21-23, 45 EDITED ALL NOTES, STATUS & MATING HARNESS PART NUMBER SAP# 10580347
REV	DESCRIPTION

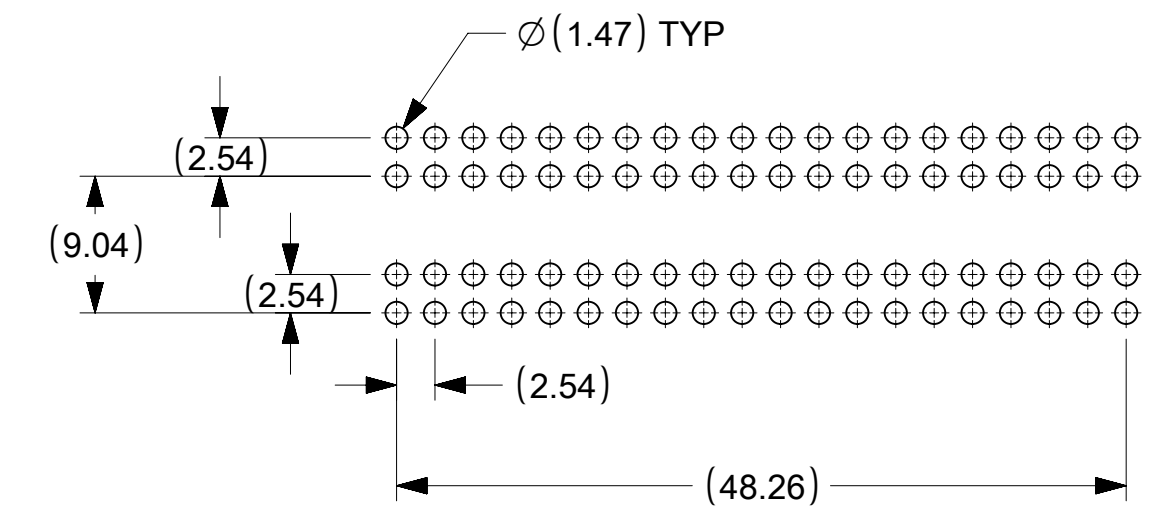
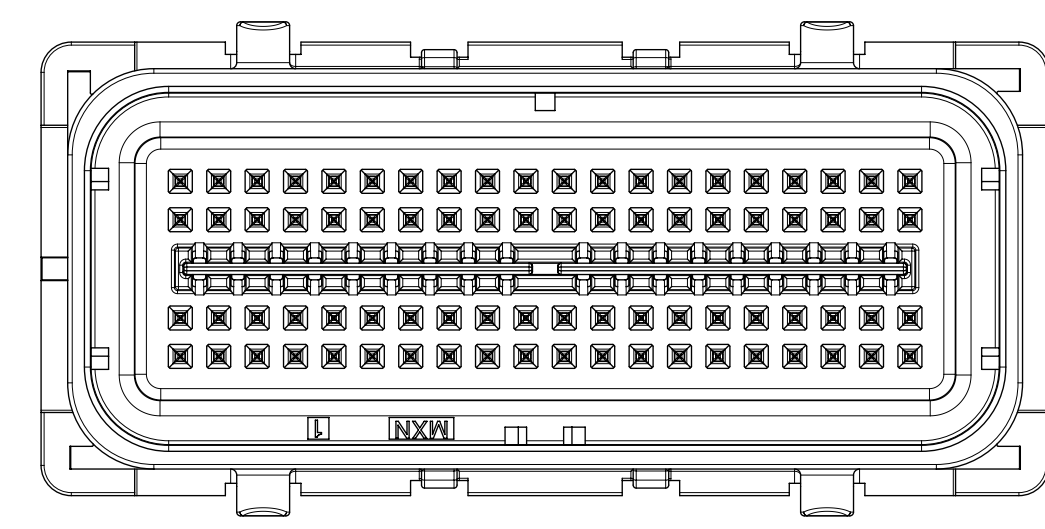
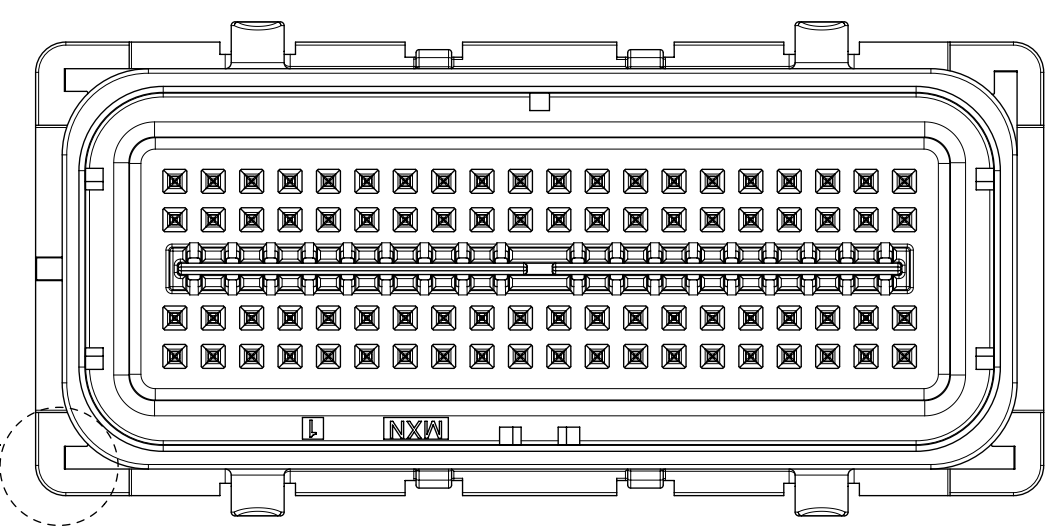
QUALITY SYMBOLS	THIS DRAWING CONTAINS INFORMATION THAT IS PROPRIETARY TO MOLEX ELECTRONIC TECHNOLOGIES, LLC AND SHOULD NOT BE USED WITHOUT WRITTEN PERMISSION										
 = 0	EC NO: 606583 DRWN: BSKANTHARAJU CHKD: DKRAWCZYK REV APPR: DKRAWCZYK	GENERAL TOLERANCES (UNLESS SPECIFIED)		DIMENSION UNITS	SCALE	 80 CKT SHROUD ASSEMBLY 0.64 SQ. PINS MX123 PRODUCT CUSTOMER DRAWING					
 = 0		MM	2:1								
 = 0		ANGULAR TOL \pm 3.0 °	DRWN BY	DATE							
 = 0		4 PLACES \pm	FJAKLIC	04/30/08							
 = 0		3 PLACES \pm	CHKD BY	DATE							
 = 0		2 PLACES \pm 0.13	FJAKLIC	04/30/08							
 = 0		1 PLACE \pm 0.25	APPR BY	DATE							
 = 0		0 PLACES \pm	GPRATT	05/05/08							
= 0		DRAFT WHERE APPLICABLE MUST REMAIN WITHIN DIMENSIONS	DRAWING SIZE	THIRD ANGLE PROJECTION							
= 0			D								
RELEASE STATUS	RELEASE DATE	SERIES		MATERIAL NUMBER		CUSTOMER		DOCUMENT NUMBER	DOC TYPE	DOC PART	SHEET NUMBER
		31387		SEE CHART		GENERAL MARKET		SD-31387-080	PSD	000	1 OF 3

SHROUD ASSEMBLY NUMBER	MATE SIDE PIN FINISH	COLOR	HARNESS SIDE KEY CODE	PCB SIDE KEY LOCATION		MATING HARNESS PART NUMBER	STATUS
				DIM. "A" ±0.30	DIM. "B" ±0.30		
31387-4001	GOLD	BLUE	G	13.97	34.29	345660703 345661903	SALEABLE
31387-4009	GOLD	GRAY	H	19.05	34.29	345660803 345662003	SALEABLE
31387-4017	SILVER	BLUE	G	13.97	34.29	345660703 345661903	SALEABLE
31387-4018	SILVER	GRAY	H	19.05	34.29	345660803 345662003	SALEABLE

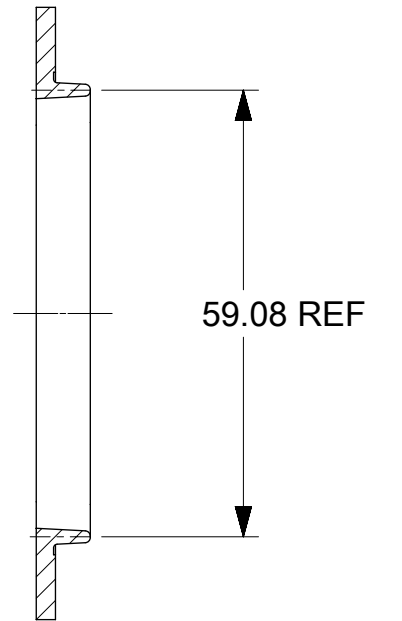
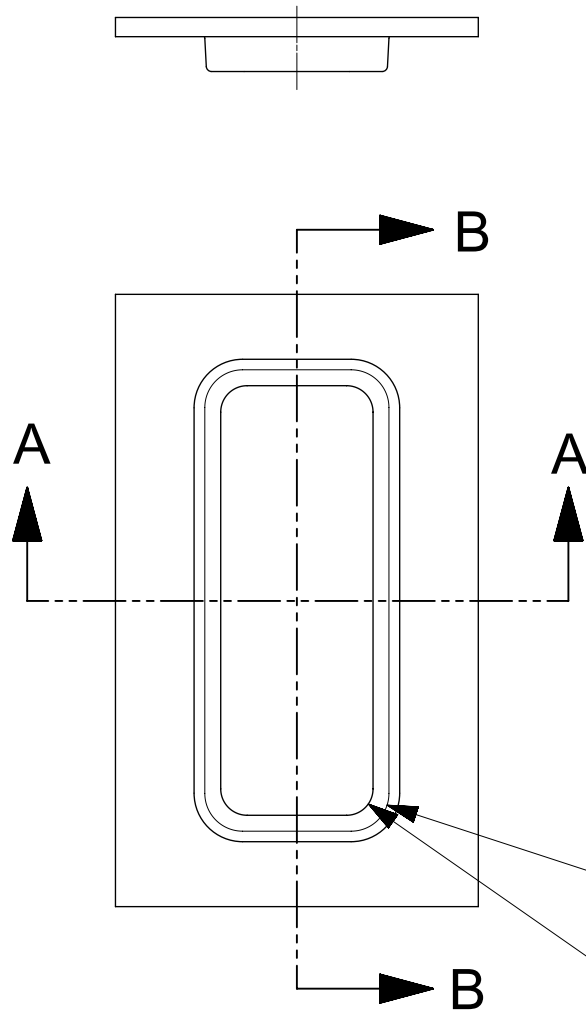
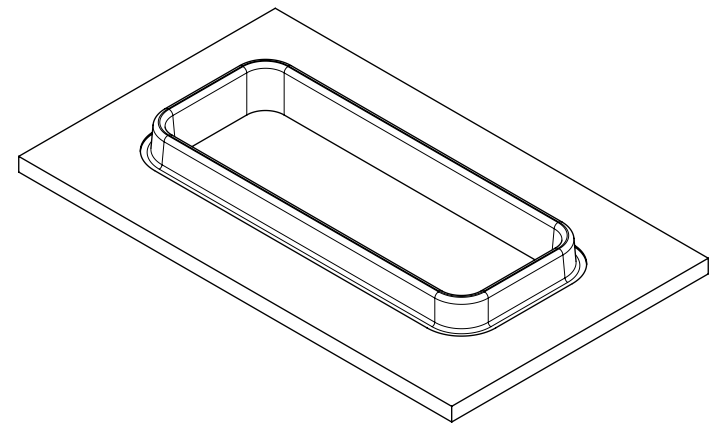
SHROUD ASSEMBLY TRACEABILITY INFORMATION FOR MOLEX INTERNAL USE ONLY (SEE NOTE 4a)



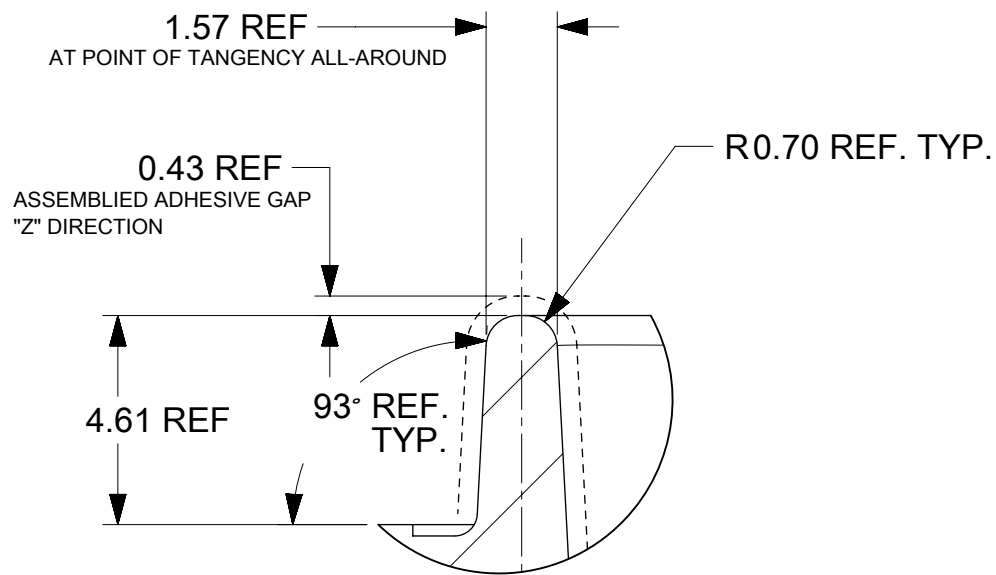
MATE SIDE POLARIZATION KEY AT CORNERS



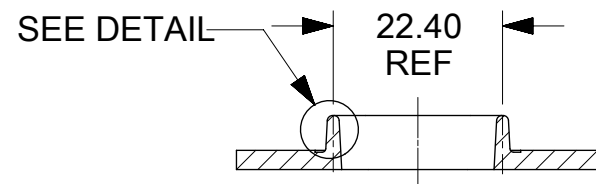
QUALITY SYMBOLS 	THIS DRAWING CONTAINS INFORMATION THAT IS PROPRIETARY TO MOLEX ELECTRONIC TECHNOLOGIES, LLC AND SHOULD NOT BE USED WITHOUT WRITTEN PERMISSION											
	EC NO: 606583	DRWN: BSKANTHARAJU	CHKD: DKRAWCZYK	REV: APPR: DKRAWCZYK	2018/10/15	2018/12/10	2018/12/10	GENERAL TOLERANCES (UNLESS SPECIFIED)	DIMENSION UNITS	SCALE		
	ANGULAR TOL ± 3.0 °							MM	2:1	80 CKT SHROUD ASSEMBLY 0.64 SQ. PINS MX123		
	4 PLACES ±	3 PLACES ±	2 PLACES ± 0.13	1 PLACE ± 0.25	0 PLACES ±	DRAFT WHERE APPLICABLE MUST REMAIN WITHIN DIMENSIONS	FJAKLIC	DATE	04/30/08			
	DRAFT WHERE APPLICABLE MUST REMAIN WITHIN DIMENSIONS							FJAKLIC	DATE	04/30/08	PRODUCT CUSTOMER DRAWING	
	DRAFT WHERE APPLICABLE MUST REMAIN WITHIN DIMENSIONS							GPRATT	DATE	05/05/08		SERIES: 31387 MATERIAL NUMBER: SEE CHART CUSTOMER: GENERAL MARKET
	DRAFT WHERE APPLICABLE MUST REMAIN WITHIN DIMENSIONS							D	THIRD ANGLE PROJECTION	DOCUMENT NUMBER: SD-31387-080 DOC TYPE: PSD DOC PART: 000 SHEET NUMBER: 3 OF 3		
	RELEASE STATUS		RELEASE DATE									



SECTION B-B



SCALE 6:1



SECTION A-A

R5.00 REF. TYP

R3.50 REF. TYP

THIS DRAWING CONTAINS INFORMATION THAT IS PROPRIETARY TO MOLEX ELECTRONIC TECHNOLOGIES, LLC AND SHOULD NOT BE USED WITHOUT WRITTEN PERMISSION											
QUALITY SYMBOLS ▽ = 0 ▽ = 0 ▽ = 0 ▼ = 0 ▽ = 0 ⊠ = 0 ■ = 0 ▽ = 0	EC NO: 121890 DRWN: BSKANTHARAJU CHKD: APPR: DKRAWCZYK	2017/03/28 2017/10/12	GENERAL TOLERANCES (UNLESS SPECIFIED)		DIMENSION UNITS	SCALE					
			ANGULAR TOL ± °		MM	1:1					
			4 PLACES ±	DRWN BY	DATE						
			3 PLACES ±	3 PLACES ±	CHK'D BY	DATE	LARGE FOOTPRINT ADHESIVE TONGUE GEOMETRY				
			2 PLACES ±	2 PLACES ±	GPRATT	11/21/2008					
			1 PLACE ±	1 PLACE ±	APPR BY	DATE					
0 PLACES ±	0 PLACES ±	DKRAWCZYK	2013/02/19	PRODUCT CUSTOMER DRAWING							
DRAFT WHERE APPLICABLE MUST REMAIN WITHIN DIMENSIONS		DRAWING SIZE	THIRD ANGLE PROJECTION	SERIES	MATERIAL NUMBER	CUSTOMER					
		B		31387		GENERAL MARKET					
		REV		DOCUMENT NUMBER	DOC TYPE	DOC PART	SHEET NUMBER				
		B1		SD-31387-173	PSD	000	1 OF 1				

RELEASE STATUS	RELEASE DATE
----------------	--------------