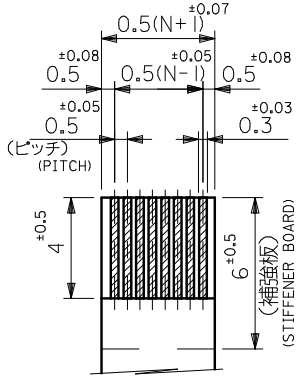
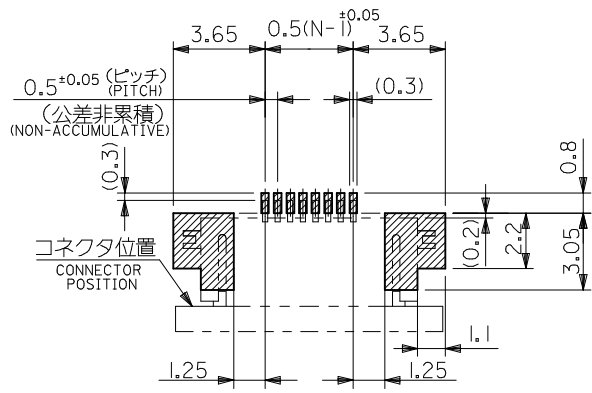


適合FPC推奨寸法
 APPLICABLE FPC RECOMMENDED DIMENSION.
 (仕上がり厚さ: 0.3^{±0.05})
 (THICKNESS: 0.3^{±0.05})



適合FPC推奨寸法
 APPLICABLE FPC RECOMMENDED DIMENSION.
 (仕上がり厚さ: 0.3^{±0.05})
 (THICKNESS: 0.3^{±0.05})



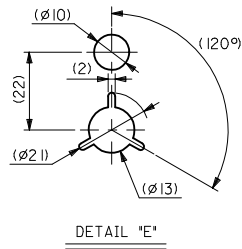
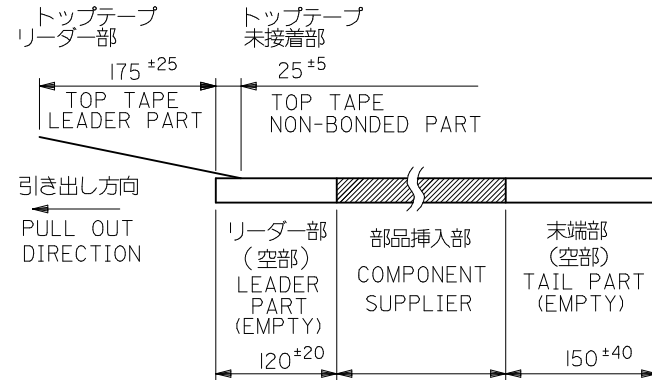
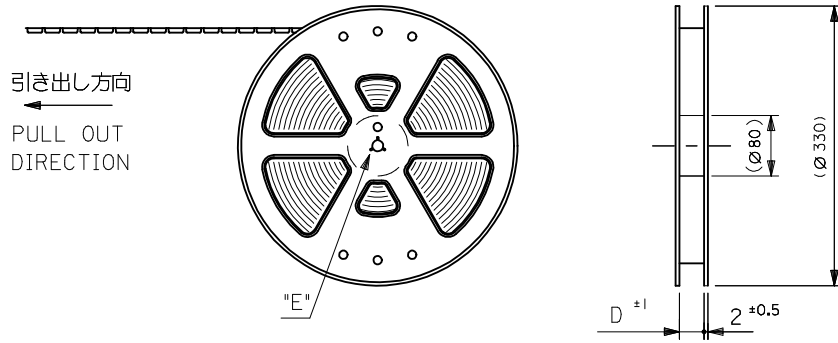
参考基板レイアウト
 (マウント面)
 RECOMMENDED P.C. BOARD PATTERN DIMENSION (REF.) (MOUNTING SIDE)

| | | | | | |
|----------|----------|----------|------------|------------|----|
| 21.6 | 19.6 | 15.65 | 14.5 | 52437-3027 | 30 |
| 21.1 | 19.1 | 15.15 | 14.0 | -2927 | 29 |
| 20.1 | 18.1 | 14.15 | 13.0 | -2727 | 27 |
| 19.6 | 17.6 | 13.65 | 12.5 | -2627 | 26 |
| 18.6 | 16.6 | 12.65 | 11.5 | -2427 | 24 |
| 18.1 | 16.1 | 12.15 | 11.0 | -2327 | 23 |
| 17.6 | 15.6 | 11.65 | 10.5 | -2227 | 22 |
| 16.6 | 14.6 | 10.65 | 9.5 | -2027 | 20 |
| 15.6 | 13.6 | 9.65 | 8.5 | -1827 | 18 |
| 14.6 | 12.6 | 8.65 | 7.5 | -1627 | 16 |
| 14.1 | 12.1 | 8.15 | 7.0 | -1527 | 15 |
| 13.6 | 11.6 | 7.65 | 6.5 | -1427 | 14 |
| 13.1 | 11.1 | 7.15 | 6.0 | -1327 | 13 |
| 12.6 | 10.6 | 6.65 | 5.5 | -1227 | 12 |
| 11.6 | 9.6 | 5.65 | 4.5 | -1027 | 10 |
| 10.6 | 8.6 | 4.65 | 3.5 | -0827 | 8 |
| 10.1 | 8.1 | 4.15 | 3.0 | -0727 | 7 |
| 9.6 | 7.6 | 3.65 | 2.5 | 52437-0627 | 6 |
| D | C | B | (A) | ENG. NO. | 極数 |

| | | | | | | | | | | |
|---|-----------------------|--|-------|----------------------------|--------------------|---|------------------------|------------------------|--|--|
| SEE SHEET 1 EC NO: J2014-1862 DRWN: JASUNUMA 2014/06/26 CHKD: TAKAHASHI 2014/06/26 APPR: YNOGAWA 2014/07/01 | DESCRIPTION REV: A | GENERAL TOLERANCES (UNLESS SPECIFIED) | | DIMENSION STYLE MM ONLY | | SCALE --- | DESIGN UNITS METRIC | THIRD ANGLE PROJECTION | | |
| | | 10 UNDER | ±0.2 | DRAWN BY KNAGUMO | DATE 2013/07/16 | TITLE 0.5 FPC CONN ZIF FOR SMT R/A(BOTTOM CONTACT) | | | | |
| | | 10 OVER 30 UNDER | ±0.25 | CHECKED BY KTAKAHASHI | DATE 2013/07/16 | | | | | |
| | | 30 OVER | ±0.3 | APPROVED BY YNOGAWA | DATE 2013/08/02 | | | | | |
| ANGULAR ±3 ° | | DRAFT WHERE APPLICABLE MUST REMAIN WITHIN DIMENSIONS | | MATERIAL NO. SEE CHART | | THIS DRAWING CONTAINS INFORMATION THAT IS PROPRIETARY TO MOLEX INCORPORATED AND SHOULD NOT BE USED WITHOUT WRITTEN PERMISSION | | | | |

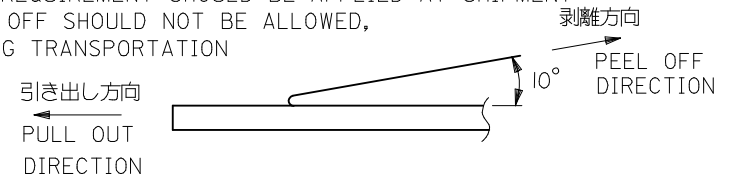
注記 NOTES

- 製品番号 52437-**27 の梱包状態はアクチュエータがロックした状態とする。
 詳細寸法については図面 SD-52437-025 を参照下さい。
 IN THE PACKAGE, ACTUATOR OF PART NO.52437-**27 SHOULD BE LOCKED RE DETAILED DIMENSIONS, SEE SD-52437-025
- 梱包数量：1000個/リール
 NUMBER OF CONNECTORS: 1000PCS/REEL
- リードテープ長さ LEAD TAPE LENGTH



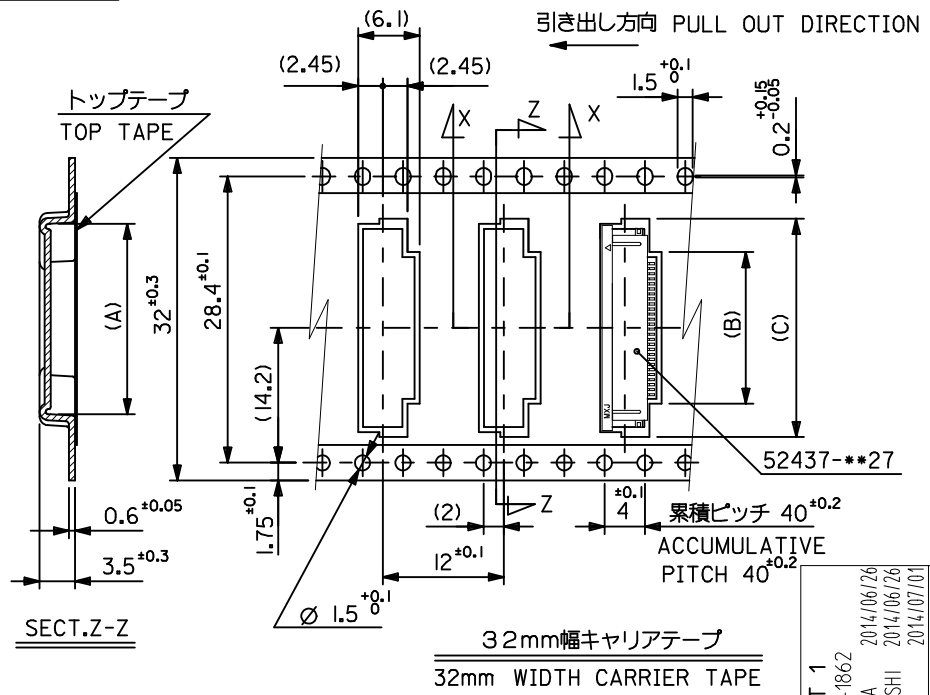
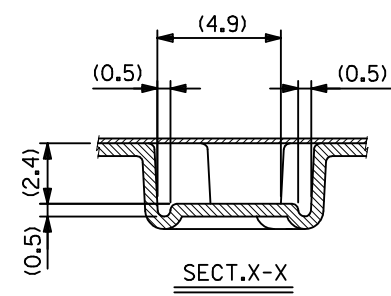
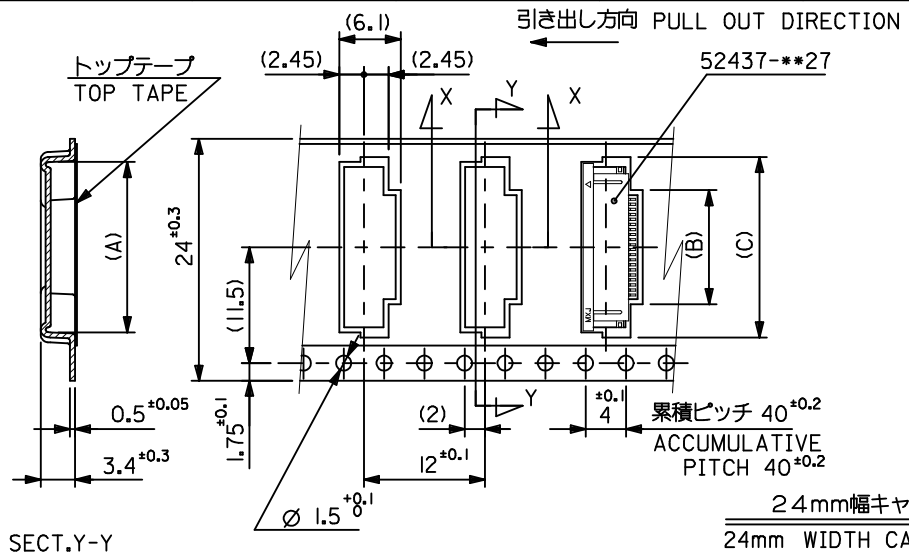
- トップテープの剥離強度：(剥離方向は下図参照)
 0.1N~0.7N (10.2gf~71.4gf) 尚、本規格値は、出荷時に適用。
 (但し、輸送時に剥離が発生しない事。)

PEELING OFF FORCE OF TOP TAPE
 0.1N~0.7N(10.2gf~71.4gf)(PEELING DIRECTION AS SHOWN IN FOLLOWING FIG.)
 THIS REQUIREMENT SHOULD BE APPLIED AT SHIPMENT
 PEEL OFF SHOULD NOT BE ALLOWED,
 DURING TRANSPORTATION



- 材料 (MATERIAL)
 キャリアテープ (CARRIER TAPE) : ポリプロピレン (POLYPROPYLENE)
 トップテープ (TOPTAPE) : PET, PE, PEF
 リール (REEL) : ポリスチレン (PS) <リサイクル材を含む>
 POLYSTYREN (PS) <RECYCLE MATERIAL CONTAINED>

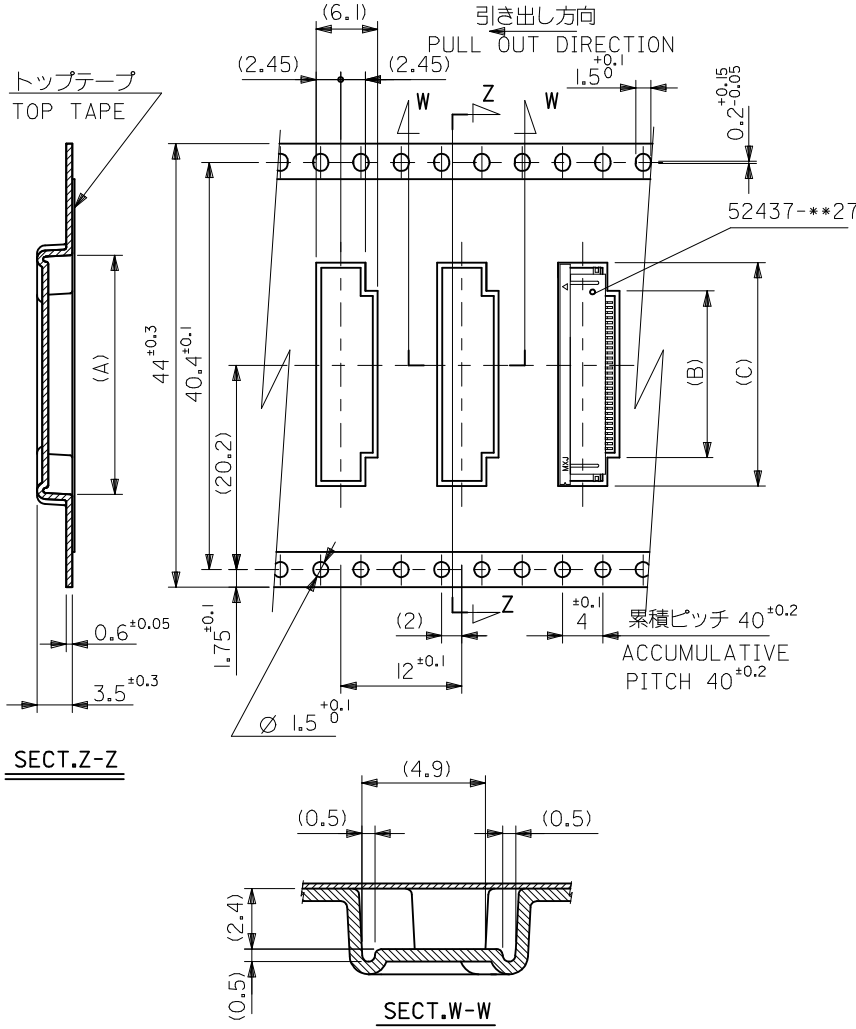
| | | | | | | | | | | |
|---|------------------|--|-------|----------------------------|--------------------|---|------------------------|------------------------|--|--|
| REVISED EC NO: J2014-1862 DRWN: JASUNUMA 2014/06/26 CHKD: TAKAHASHI 2014/06/26 APPR: YNOGAWA 2014/07/01 | DESCRIPTION A | GENERAL TOLERANCES (UNLESS SPECIFIED) | | DIMENSION STYLE MM ONLY | | SCALE --- | DESIGN UNITS METRIC | THIRD ANGLE PROJECTION | | |
| | | 10 UNDER | ± --- | DRAWN BY KNAGUMO | DATE 2013/07/16 | TITLE EMBOSSED TAPE PACKAGE FOR 52437-**27 | | | | |
| | | 10 OVER 30 UNDER | ± --- | CHECKED BY KTAKAHASHI | DATE 2013/07/16 | | | | | |
| | | 30 OVER | ± --- | APPROVED BY YNOGAWA | DATE 2013/08/02 | | | | | |
| ANGULAR ± --- ° | | DRAFT WHERE APPLICABLE MUST REMAIN WITHIN DIMENSIONS | | MATERIAL NO. SEE CHART | | DOCUMENT NO. SD-52437-026 | | SHEET NO. 1 OF 3 | | |



| | | | | | | |
|--------------------------------|------|------|------------|------|------------|----------|
| 32 | 33.5 | 22.4 | 15.8 | 21.4 | 52437-2991 | 29 |
| | | 21.4 | 14.8 | 20.4 | -2791 | 27 |
| | | 20.9 | 14.3 | 19.9 | -2691 | 26 |
| | | 19.9 | 13.3 | 18.9 | -2491 | 24 |
| | | 19.4 | 12.8 | 18.4 | -2391 | 23 |
| | | 18.9 | 12.3 | 17.9 | -2291 | 22 |
| 24 | 25.5 | 17.9 | 11.3 | 16.9 | -2091 | 20 |
| | | 16.9 | 10.3 | 15.9 | -1891 | 18 |
| | | 15.9 | 9.3 | 14.9 | -1691 | 16 |
| | | 15.4 | 8.8 | 14.4 | -1591 | 15 |
| | | 14.9 | 8.3 | 13.9 | -1491 | 14 |
| | | 14.4 | 7.8 | 13.4 | -1391 | 13 |
| | | 13.9 | 7.3 | 12.9 | -1291 | 12 |
| | | 12.9 | 6.3 | 11.9 | -1091 | 10 |
| | | 11.9 | 5.3 | 10.9 | -0891 | 8 |
| | | 11.4 | 4.8 | 10.4 | -0791 | 7 |
| 10.9 | 4.3 | 9.9 | 52437-0691 | 6 | | |
| キャリアテープ幅 CARRIER TAPE WIDTH | | D | (C) | (B) | (A) | ENG. NO. |

| | | |
|---|--|-------|
| SEE SHEET 1 EC NO: J2014-1862 DRWN: JASUNUMA 2014/06/26 CHKD: TAKAHASHI 2014/06/26 APPR: YNOGAWA 2014/07/01 | GENERAL TOLERANCES (UNLESS SPECIFIED) | |
| | 10 UNDER | ± --- |
| | 10 OVER 30 UNDER | ± --- |
| | 30 OVER | ± --- |
| ANGULAR | ± --- ° | |
| DRAFT WHERE APPLICABLE MUST REMAIN WITHIN DIMENSIONS | | |

| | | | | |
|--|--------------------|---|------------------------|---------------------------|
| DIMENSION STYLE MM ONLY | | SCALE --- | DESIGN UNITS METRIC | THIRD ANGLE PROJECTION |
| DRAWN BY KNAGUMO | DATE 2013/07/16 | TITLE EMBOSSED TAPE PACKAGE FOR 52437-***27 | | |
| CHECKED BY KTAKAHASHI | DATE 2013/07/16 | | | |
| APPROVED BY YNOGAWA | DATE 2013/08/02 | | | |
| MATERIAL NO. SEE CHART | | DOCUMENT NO. SD-52437-026 | SHEET NO. 2 OF 3 | |
| THIS DRAWING CONTAINS INFORMATION THAT IS PROPRIETARY TO MOLEX INCORPORATED AND SHOULD NOT BE USED WITHOUT WRITTEN PERMISSION | | | | |



44mm幅キャリアテープ
44mm WIDTH CARRIER TAPE

| | | | | | | |
|--------------------------------|------|------|------|------|------------|---------------|
| 44 | 45.5 | 22.9 | 16.3 | 21.9 | 52437-3091 | 30 |
| キャリアテープ幅 CARRIER TAPE WIDTH | D | (C) | (B) | (A) | ENG. NO. | 極数 CIRCUIT |

| | | |
|--|--|---------|
| SEE SHEET 1 EC NO: J2014-1862 DRWN: JASANUMA 2014/06/26 CHKD: KTAHASHI 2014/06/26 APPR: YNOGAWA 2014/07/01 | GENERAL TOLERANCES (UNLESS SPECIFIED) | |
| | 10 UNDER | ± --- |
| | 10 OVER 30 UNDER | ± --- |
| | 30 OVER | ± --- |
| DESCRIPTION | ANGULAR | ± --- ° |
| REV | DRAFT WHERE APPLICABLE MUST REMAIN WITHIN DIMENSIONS | |

| | | | | |
|--|--------------------|--|------------------------|---------------------------|
| DIMENSION STYLE MM ONLY | | SCALE --- | DESIGN UNITS METRIC | THIRD ANGLE PROJECTION |
| DRAWN BY KNAGUMO | DATE 2013/07/16 | TITLE EMBOSSD TAPR PACKAGE FOR 52437-***27 | | |
| CHECKED BY KTAHASHI | DATE 2013/07/16 | molex | | |
| APPROVED BY YNOGAWA | DATE 2013/08/02 | | | |
| MATERIAL NO. | SEE CHART | DOCUMENT NO. SD-52437-026 | SHEET NO. 3 OF 3 | |
| THIS DRAWING CONTAINS INFORMATION THAT IS PROPRIETARY TO MOLEX INCORPORATED AND SHOULD NOT BE USED WITHOUT WRITTEN PERMISSION | | | | |