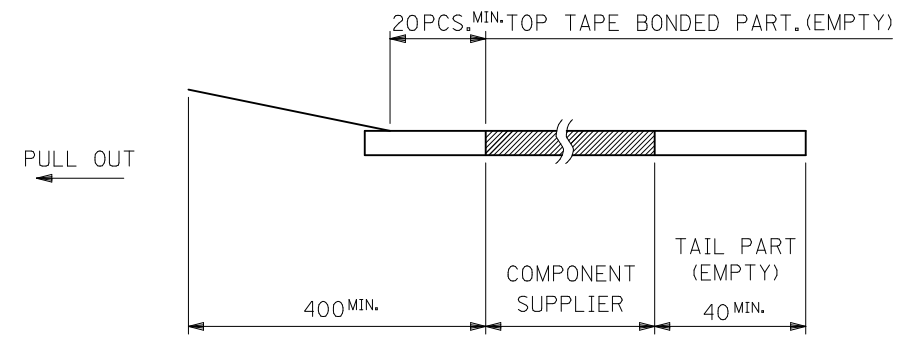


**NOTES**

1. IN THE PACKAGE,ACTUATOR OF PART NO. 52559-\*\*78 SHOULD BE LOCKED  
REDETAILED DIMENSIONS,SEE ASSY DRAWING
2. NUMBER OF CONNECTORS:1000PCS/REEL
3. LEAD TAPE LENGTH



4. MATERIAL CARRIER TAPE:POLYPROPYLENE  
TOP TAPE:PET,PE,PEF  
REEL:POLYSTYRENE (PS)  
<RECYCLE MATERIAL CONTAINED>

GENERAL TOLERANCES (UNLESS SPECIFIED)	
UNDER 10	±0.2
OVER 10    UNDER 30	±0.25
OVER 30	±0.3
ANGULAR	±3°

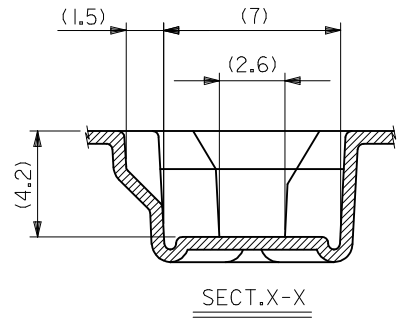
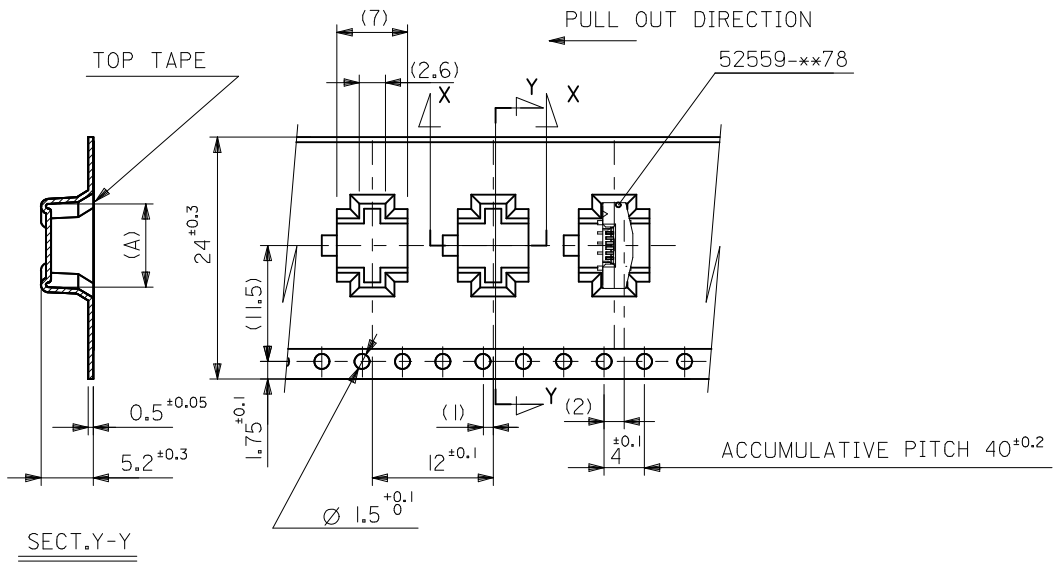
**NEW RELEASE**  
 EC NO: KOR2009-0027  
 DRWN:HJEONG 2008/09/18  
 CHKD:YSOOKIM 2008/09/18  
 APPR:YUNSIKKIM 2008/09/18

QUALITY SYMBOLS	DESCRIPTION
▽=0	
∇=0	

GENERAL TOLERANCES (UNLESS SPECIFIED)	
4 PLACES	± ---    ± ---
3 PLACES	± ---    ± ---
2 PLACES	± ---    ± ---
1 PLACE	± ---    ± ---
ANGULAR ± ---°	
DRAFT WHERE APPLICABLE MUST REMAIN WITHIN DIMENSIONS	

DIMENSION STYLE	
MM ONLY	
DRAWN BY	DATE
Y. AOYAGI	2008/09/01
CHECKED BY	DATE
T. HARUYAMA	2008/09/01
APPROVED BY	DATE
N. UKITA	2008/09/01
MATERIAL NO.	
SEE TABLE	
SIZE	A3

52559-**55	MODEL NO.
DESIGN UNITS	THIRD ANGLE PROJECTION
METRIC	
<b>EMBOSSED TAPE PACKAGE FOR 52559-**78</b>	
<b>MOLEX INCORPORATED</b>	
DOCUMENT NO.	SHEET NO.
SD-52559-055	1 OF 4
THIS DRAWING CONTAINS INFORMATION THAT IS PROPRIETARY TO MOLEX INCORPORATED AND SHOULD NOT BE USED WITHOUT WRITTEN PERMISSION	



24mm WIDTH CARRIER TAPE

24	C	B	17.3	52559-2455	24
			16.3	52559-2255	22
			15.3	52559-2055	20
			14.8	52559-1955	19
			14.3	52559-1855	18
			13.3	52559-1655	16
			12.8	52559-1555	15
			12.3	52559-1455	14
			11.3	52559-1255	12
10.8	52559-1155	11			
CARRIER TAPE WIDTH			(A)	MATERIAL NO.	CIRCUIT NO.

GENERAL TOLERANCES (UNLESS SPECIFIED)	
UNDER 10	±0.2
OVER 10 UNDER 30	±0.25
OVER 30	±0.3
ANGULAR	±3°

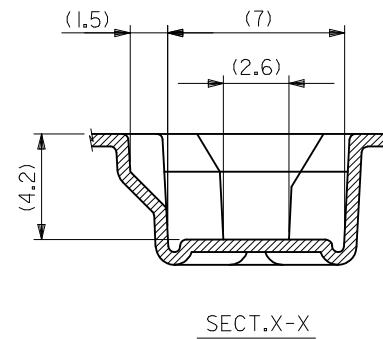
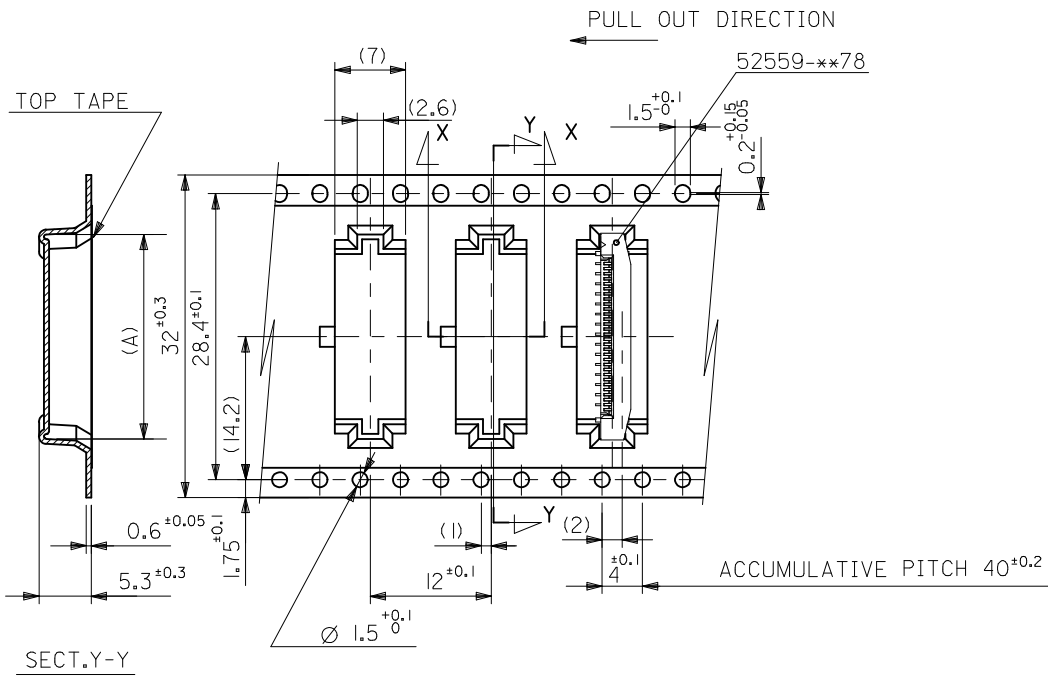
NEW RELEASE  
 EC NO: KOR2009-0027  
 DRWN:HJEONG 2008/09/18  
 CHKD:YSOOKIM 2008/09/18  
 APPR:YUNSIKKIM 2008/09/18

QUALITY SYMBOLS

GENERAL TOLERANCES (UNLESS SPECIFIED)	
4 PLACES	± --- ± ---
3 PLACES	± --- ± ---
2 PLACES	± --- ± ---
1 PLACE	± --- ± ---
ANGULAR ± ---°	
DRAFT WHERE APPLICABLE MUST REMAIN WITHIN DIMENSIONS	

DIMENSION STYLE	
MM ONLY	
DRAWN BY	DATE
Y. AOYAGI	2008/09/01
CHECKED BY	DATE
T. HARUYAMA	2008/09/01
APPROVED BY	DATE
N. UKITA	2008/09/01
MATERIAL NO.	
SEE TABLE	
SIZE	A3

52559-**55	MODEL NO.
DESIGN UNITS	METRIC
THIRD ANGLE PROJECTION	
TITLE	
EMBOSSD TAPE PACKAGE FOR 52559-**78	
MOLEX INCORPORATED	
DOCUMENT NO.	SD-52559-055
SHEET NO.	2 OF 4
THIS DRAWING CONTAINS INFORMATION THAT IS PROPRIETARY TO MOLEX INCORPORATED AND SHOULD NOT BE USED WITHOUT WRITTEN PERMISSION	



32mm WIDTH CARRIER TAPE

32	37.4	33.4	21.8	52559-3355	33		
			21.3	52559-3255	32		
			20.3	52559-3055	30		
			19.3	52559-2855	28		
			17.8	52559-2555	25		
CARRIER TAPE WIDTH			C	B	(A)	MATERIAL NO.	CIRCUIT NO.

GENERAL TOLERANCES (UNLESS SPECIFIED)	
UNDER 10	±0.2
OVER 10 UNDER 30	±0.25
OVER 30	±0.3
ANGULAR	±3°

NEW RELEASE  
 EC NO: KOR2009-0027  
 DRWN:HJEONG 2008/09/18  
 CHKD:YSOOKIM 2008/09/18  
 APPR:YUNSIKKIM 2008/09/18

QUALITY SYMBOLS  
 ▽=0  
 ◻=0

GENERAL TOLERANCES (UNLESS SPECIFIED)	
	mm INCH
4 PLACES	± --- ± ---
3 PLACES	± --- ± ---
2 PLACES	± --- ± ---
1 PLACE	± --- ± ---
ANGULAR ± ---°	
DRAFT WHERE APPLICABLE MUST REMAIN WITHIN DIMENSIONS	

DIMENSION STYLE  
**MM ONLY**

DRAWN BY: Y. AOYAGI  
 DATE: 2008/09/01

CHECKED BY: T. HARUYAMA  
 DATE: 2008/09/01

APPROVED BY: N. UKITA  
 DATE: 2008/09/01

MATERIAL NO. SEE TABLE

SCALE: ---  
 DESIGN UNITS: METRIC

52559-\*\*55 MODEL NO.

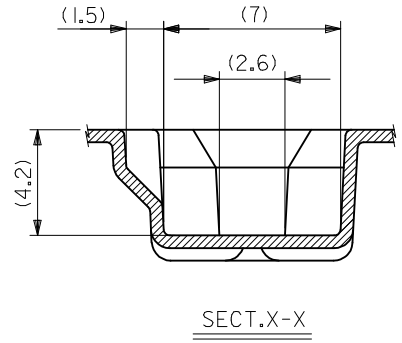
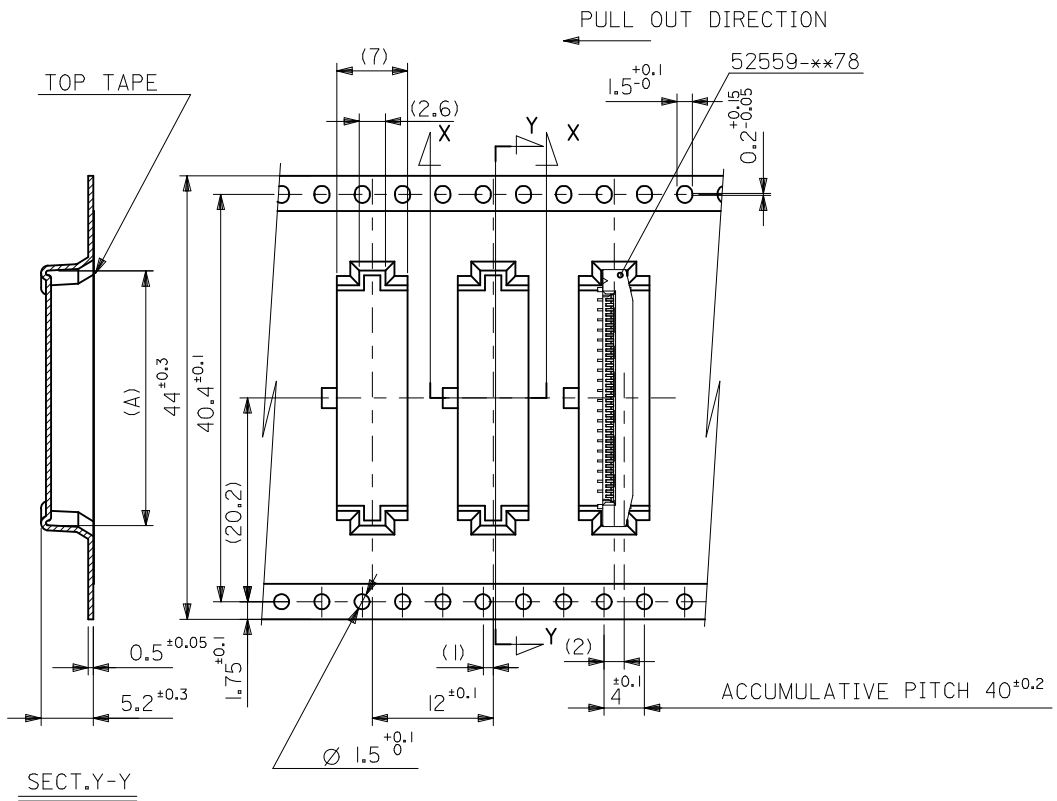
THIRD ANGLE PROJECTION

**EMBOSSD TAPE PACKAGE FOR 52559-\*\*78**

**MOLEX INCORPORATED**

DOCUMENT NO. SD-52559-055 SHEET NO. 3 OF 4

THIS DRAWING CONTAINS INFORMATION THAT IS PROPRIETARY TO MOLEX INCORPORATED AND SHOULD NOT BE USED WITHOUT WRITTEN PERMISSION



44	49.4	45.4	25.3	52559-4055	40
CARRIER TAPE WIDTH			(A)	MATERIAL NO.	CIRCUIT NO.

GENERAL TOLERANCES (UNLESS SPECIFIED)	
UNDER 10	±0.2
OVER 10 UNDER 30	±0.25
OVER 30	±0.3
ANGULAR	±3°

NEW RELEASE  
 EC NO: KOR2009-0027  
 DRWN:HJEONG 2008/09/18  
 CHKD:YSOOKIM 2008/09/18  
 APPR:YUNSIKKIM 2008/09/18

QUALITY SYMBOLS

GENERAL TOLERANCES (UNLESS SPECIFIED)		
	mm	INCH
4 PLACES	±---	±---
3 PLACES	±---	±---
2 PLACES	±---	±---
1 PLACE	±---	±---
ANGULAR ±---°		

DRAFT WHERE APPLICABLE MUST REMAIN WITHIN DIMENSIONS

DIMENSION STYLE	
MM ONLY	
DRAWN BY	DATE
Y. AOYAGI	2008/09/01
CHECKED BY	DATE
T. HARUYAMA	2008/09/01
APPROVED BY	DATE
N. UKITA	2008/09/01
MATERIAL NO.	
SEE TABLE	

SCALE		DESIGN UNITS		MODEL NO.	
---		METRIC		52559-**55	
TITLE				THIRD ANGLE PROJECTION	
EMBOSSED TAPE PACKAGE FOR 52559-**78					
MOLEX INCORPORATED				SHEET NO.	
DOCUMENT NO. SD-52559-055				4 OF 4	
THIS DRAWING CONTAINS INFORMATION THAT IS PROPRIETARY TO MOLEX INCORPORATED AND SHOULD NOT BE USED WITHOUT WRITTEN PERMISSION					