

PLEASE CHECK WWW.MOLEX.COM FOR LATEST PART INFORMATION

Part Number: [0622030000](#)
Status: **Active**
Overview: [Application Tooling](#)
Description: Appli-Mate RAST 2.5 Power Manual Terminator

Documents:
[RoHS Certificate of Compliance \(PDF\)](#)

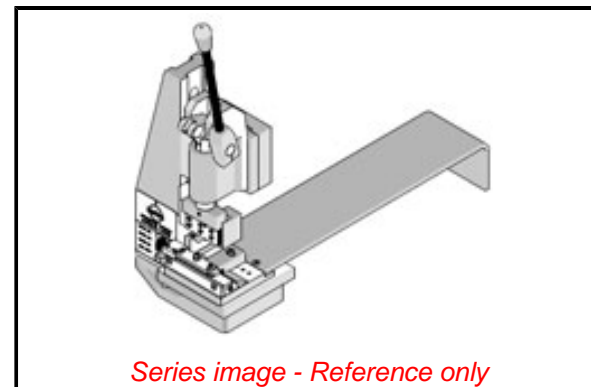
General

Product Family	Application Tooling
Series	207122
Comments	See Tooling Specification (PDF) Above, See Tooling Specification (PDF) Above
Function	Crimp
Geographic Area	Global
Level of Automation	Semi-Automatic
More Detailed Tech Information	applicationtooling@molex.com
Overview	Application Tooling
Product Name	N/A
Tool Type	Terminator Die
UPC	800756917085
Warranty Disclaimer	CAUTION: Molex tooling crimp specifications are valid only when used with Molex terminals and tooling manufactured by Molex and sold by Molex or authorized distributors ("Molex Tooling"). When using tooling other than Molex Tooling with Molex specific connector systems listed in our ATS documents, the Molex tooling qualification does not apply and the responsibility for full qualification of the connector system is that of the customer. Molex accepts no liability for connector performance or tooling support where tooling other than Molex Tooling is used or where Molex Tooling is modified.

Material Info

Reference - Drawing Numbers
[Application Tooling Documents](#)

TM-622030000



Series image - Reference only

EU ELV

Not Reviewed

EU RoHS

Not Reviewed

REACH SVHC

Not Reviewed

Halogen-Free

Status

Not Reviewed

For more information, please visit [Contact US](#)

China ROHS

Not Reviewed

ELV

Not Reviewed

RoHS Phthalates

Not Reviewed

Search Parts in this Series

[207122 Series](#)

Use With

Molex TM-42 Press [690025001](#) and Base Unit [11193001](#) for the 3BF Press

Application Tooling

FAQ

Description	Product #
--------------------	------------------

5.00mm Pitch Appli-Mate RAST Power IDT Housing, Direct/Indirect, Female, 2 Circuits, Glow-Wire Capable, Fully Coded, Open End Walls	916270001
---	---------------------------

5.00mm Pitch Appli-Mate RAST Power IDT Housing, Direct/Indirect, Female, 2 Circuits, Glow-Wire Capable, Removed Coding Keys None, End Wall Open	916270501
---	---------------------------

5.00mm Pitch Appli-Mate RAST Power	916271001
------------------------------------	---------------------------

IDT Housing, Direct/
Indirect, Female,
3 Circuits, Glow-
Wire Capable, Fully
Coded, Open End
Walls

5.00mm Pitch Appli- [916271501](#)

Mate RAST Power
IDT Housing, Direct/
Indirect, Female, 3
Circuits, Glow-Wire
Capable, Removed
Coding Keys None,
End Wall Open

5.00mm Pitch Appli- [916272001](#)

Mate RAST Power
IDT Housing, Direct/
Indirect, Female,
4 Circuits, Glow-
Wire Capable, Fully
Coded, Open End
Walls

5.00mm Pitch Appli- [916272501](#)

Mate RAST Power
IDT Housing, Direct/
Indirect, Female, 4
Circuits, Glow-Wire
Capable, Removed
Coding Keys None,
End Wall Open

5.00mm Pitch Appli- [916273001](#)

Mate RAST Power
IDT Housing, Direct/
Indirect, Female,
5 Circuits, Glow-
Wire Capable, Fully
Coded, Open End
Walls

5.00mm Pitch Appli- [916274001](#)

Mate RAST Power
IDT Housing, Direct/
Indirect, Female,
6 Circuits, Glow-
Wire Capable, Fully
Coded, Open End
Walls

5.00mm Pitch Appli- [916274501](#)

Mate RAST Power
IDT Housing, Direct/
Indirect, Female, 6
Circuits, Glow-Wire
Capable, Removed
Coding Keys None,
End Wall Open

5.00mm Pitch Appli- [916275001](#)

Mate RAST Power
IDT Housing, Direct/
Indirect, Female,
7 Circuits, Glow-
Wire Capable, Fully
Coded, Open End
Walls

5.00mm Pitch Appli- [916276001](#)

Mate RAST Power
IDT Housing, Direct/

Indirect, Female,
8 Circuits, Glow-
Wire Capable, Fully
Coded, Open End
Walls

5.00mm Pitch Appli- [916277001](#)

Mate RAST Power
IDT Housing, Direct/
Indirect, Female,
9 Circuits, Glow-
Wire Capable, Fully
Coded, Open End
Walls

5.00mm Pitch Appli- [916277003](#)

Mate RAST Power
IDT Housing, Direct/
Indirect, Female, 9
Circuits, Glow-Wire
Capable, Removed
Coding Keys None,
End Wall Open,
Polarizing Rib 2 &3

5.00mm Pitch Appli- [916277502](#)

Mate RAST Power
IDT Housing, Direct/
Indirect, Female, 9
Circuits, Glow-Wire
Capable, Removed
Coding Keys None,
End Wall A Option

5.00mm Pitch Appli- [916278001](#)

Mate RAST Power
IDT Housing, Direct/
Indirect, Female,
10 Circuits, Glow-
Wire Capable, Fully
Coded, Open End
Walls

5.00mm Pitch Appli- [916279001](#)

Mate RAST Power
IDT Housing, Direct/
Indirect, Female,
11 Circuits, Glow-
Wire Capable, Fully
Coded, Open End
Walls

5.00mm Pitch Appli- [916279501](#)

Mate RAST Power
IDT Housing, Direct/
Indirect, Female,
12 Circuits, Glow-
Wire Capable, Fully
Coded, Open End
Walls

This document was generated on 04/01/2019

PLEASE CHECK WWW.MOLEX.COM FOR LATEST PART INFORMATION