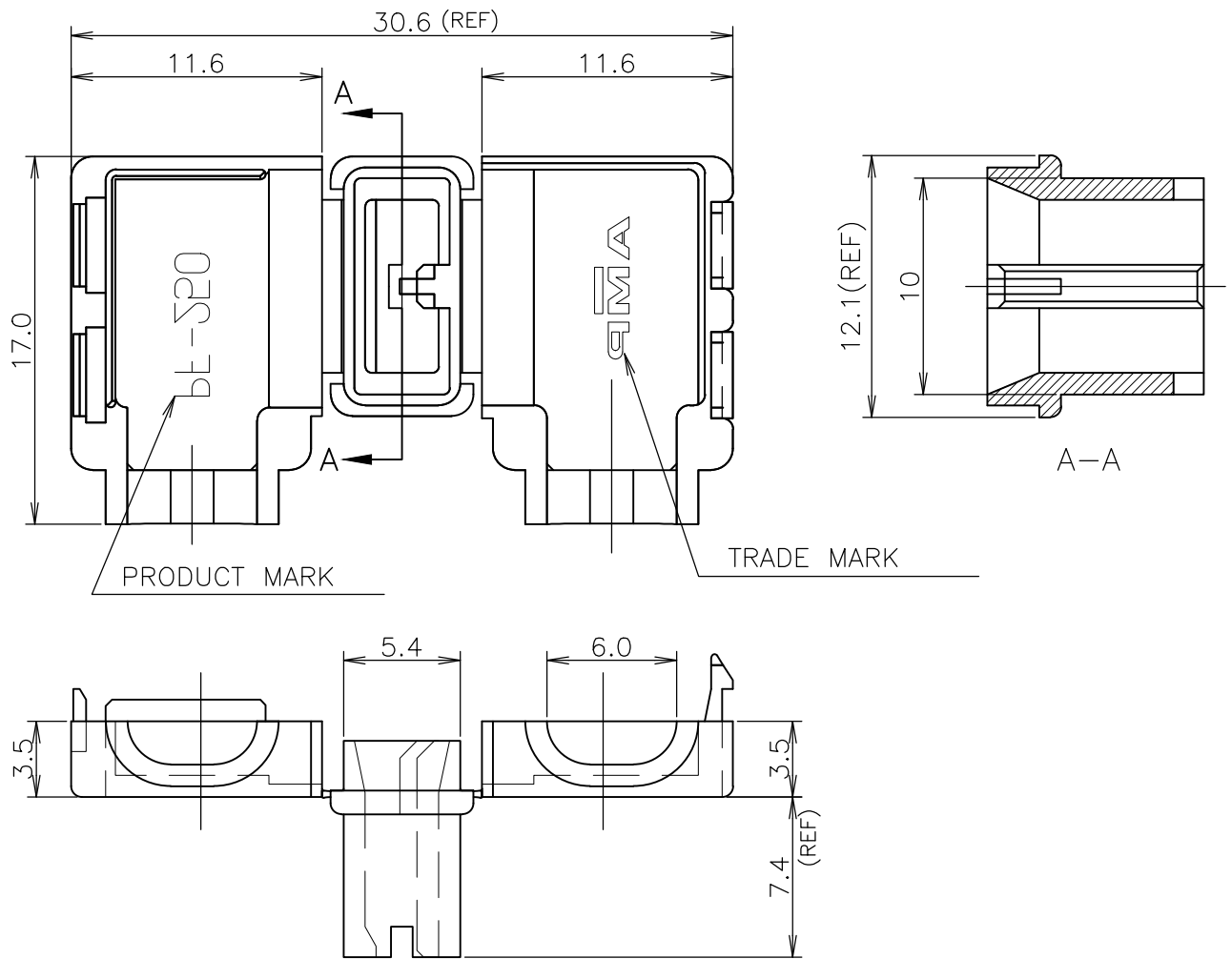


LOC J	DIST /	REVISIONS			DATE	DWN	APVD
P	LTR	DESCRIPTION					
	H6	REVISED PER ECR-20-008104			07AUG2020	LZ	EW



1 APPLICABLE CONTACT P/N: 175057-1

2 OBSOLETE PARTS: OBSOLETE CIS STERAMLINING PER D.RENAUD/D.SINSI

3 OBSOLETE PARTS

3	GWT,94V-0	(NATURAL)	7-176497-1
	94V-0	(BLACK)	1-176497-9
	94V-0	(RED)	1-176497-7
	94V-0	(BLUE)	1-176497-6
	94V-0	(YELLOW)	1-176497-4
	94V-0	(NATURAL)	1-176497-1
	94V-2	(BLACK)	176497-9
	94V-2	(NATURAL)	176497-1
	UL GRADE	(COLOR)	(P/N)

GENERAL TOLERANCE	
10 ≥	±0.2
30 ≥ > 10:	±0.25
100 ≥ > 30:	±0.3
ANGLES: ±3°	

RELEASED FOR PUBLICATION

ALL RIGHTS RESERVED.

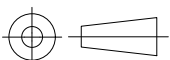
By -

© COPYRIGHT

DIMENSIONS:
mm

TOLERANCES UNLESS OTHERWISE SPECIFIED:

0 PLC	± -
1 PLC	± -
2 PLC	± -
3 PLC	± -
4 PLC	± -
ANGLES	± -



DWN	Y.FUJITA	10NOV1989
CHK	Y.FUJITA	10NOV1989
APVD	N.ONOUE	11NOV1989
PRODUCT SPEC		
APPLICATION SPEC		
WEIGHT		

WIRE RANGE	INSULATION DIA
MATERIAL	FINISH
6/6 NYLON(SEE TABLE)	仕上
2.8~4.2 mmφ	
NAME	
ONE TOUCH SLEEVE	
250 SERIES FLAG POSITIVE LOCK-EX	
SIZE	CAGE CODE
A4	00779
DRAWING NO	RESTRICTED TO
C-176497	



TE Connectivity

CUSTOMER DRAWING	SCALE	SHEET	REV
	NTS	1 OF 1	H6