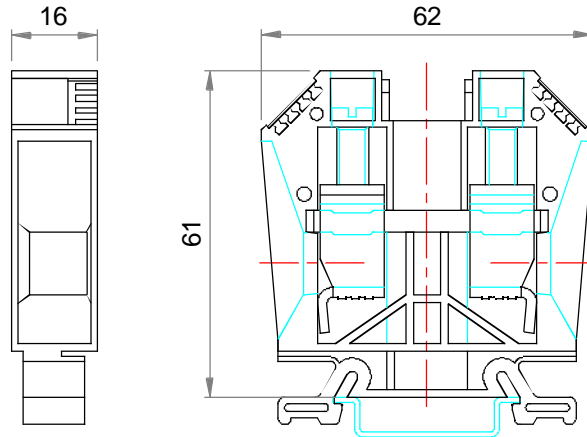


Part number description :

10134256-XXXLF

LF: Lead Free, RoHs compliant, see note

XXX : Color ref or/and version



Note : THIS PRODUCT MEETS EUROPEAN UNION DIRECTIVES AND OTHER COUNTRY REGULATIONS AS PER GS-47-0004

PN	Colour	Version
10134256-001LF	grey	
10134256-002LF	blue	
10134256-003LF	yellow-green	
10134256-004LF	yellow	
10134256-005LF	red	

TECHNICAL DATA / DIMENSIONS

Dimensions	
Width mm	16.0
Length mm	62.0
Height mm	61.0
Mounting type (EN 60715)	Omega TH35
Technical data	
Maximum load current	150A
Insulating material	PA
Self-extinguishing degree acc. to UL94	V2
Rated surge voltage	8kV
Pollution degree	3
Surge voltage category	III
Insulating material group	I
Nominal Voltage	1000V
Nominal Current	150A
Connection data	
Conductor cross-section solid min/max	2.50 / 50 mm <sup>2</sup>
Conductor cross-section stranded min/max	2.50 / 50 mm <sup>2</sup>
AWG min/max	14-1/0AWG
Max conductor cross-section stranded with ferrule with plastic sleeve	35 mm <sup>2</sup> / L=18 mm
Stripping length	max 17 mm
Screw	M6
Tightening torque	2.5Nm / 45 Lb-In

ACCESSORIES

Item	Description
<b>Marking</b>	
10134398-001LF	Blank single-digit marking tags
10134398-002LF+ 10134398-011LF	Printed single-digit marking tags numbered : 1÷0
10134398-012LF+ 10134398-041LF	Printed single-digit marking tags with letter: A÷Z
10134399-001LF	Marking tag adapter
10134400-001LF	Blank Marking tags
10134401-001LF	Blank Marking tags

DIN RAIL system - Mounting and Installation material

10134392-001LF	Steel Omega Rail TH35x7,5mm -2mt length
10134393-001LF	Slotted Steel Omega Rail TH35x7,5mm -2mt length
10134394-001LF	Steel Omega Rail TH35x15mm -2mt length
10134395-001LF	Slotted Steel Omega Rail TH35x15mm -2mt length
10134387-001LF	Angled support bracket
10134389-001LF	End Bracket for TH35 Omega rail -Width 9mm
10134390-001LF	End Bracket for TH35 Omega rail -Width 6mm
10134391-001LF	Fast-snap End Bracket for TH35 Omega rail

Additional items

10134262-001LF	End Plate for SCREW Terminal Block 35-50
10134270-001LF	Cover for SCREW Terminal Block 35-50
10134267-001LF	Screw Jumper bar for SCREW Terminal Block 35-50

APPROVALS



RINA

AWG 14-1/0 – 600V – 130A

EN60947-7-1 50mm<sup>2</sup> – 1000V – 150A

spec ref	tolerance std ISO 406 ISO 1101	TOLERANCES UNLESS OTHERWISE SPECIFIED	dr Aymeric Souday 11-06-2015	projection MM	size A3	scale 1:1
eng Aymeric Souday 11-06-2015	chr	appr Aymeric Souday 11-06-2015	product family DIN Terminal Block	ecn no	rel level	
surface ISO 1302	linear 0.X ± 0.3 0.XX ± 0.1 0.XXX ± 0.05	angular 0° ± 2°	FCJ www.fcj.com	title SCREW Terminal block 35-50	dwg no 10134256	rev A
cat. no.			Product customer drawing		sheet 1 of 1	