

	1	2	3	4	5	6	7	8																				
A	<table border="1"> <thead> <tr> <th>REV</th> <th>Description</th> <th>DATE</th> <th>BY</th> </tr> </thead> <tbody> <tr> <td>1</td> <td>First version</td> <td>20190812</td> <td>Milo</td> </tr> <tr> <td> </td> <td> </td> <td> </td> <td> </td> </tr> <tr> <td> </td> <td> </td> <td> </td> <td> </td> </tr> <tr> <td> </td> <td> </td> <td> </td> <td> </td> </tr> </tbody> </table>								REV	Description	DATE	BY	1	First version	20190812	Milo												
REV									Description	DATE	BY																	
1									First version	20190812	Milo																	
B																												
C																												
D																												
E																												
	1	2	3	4	5	6	7	8																				

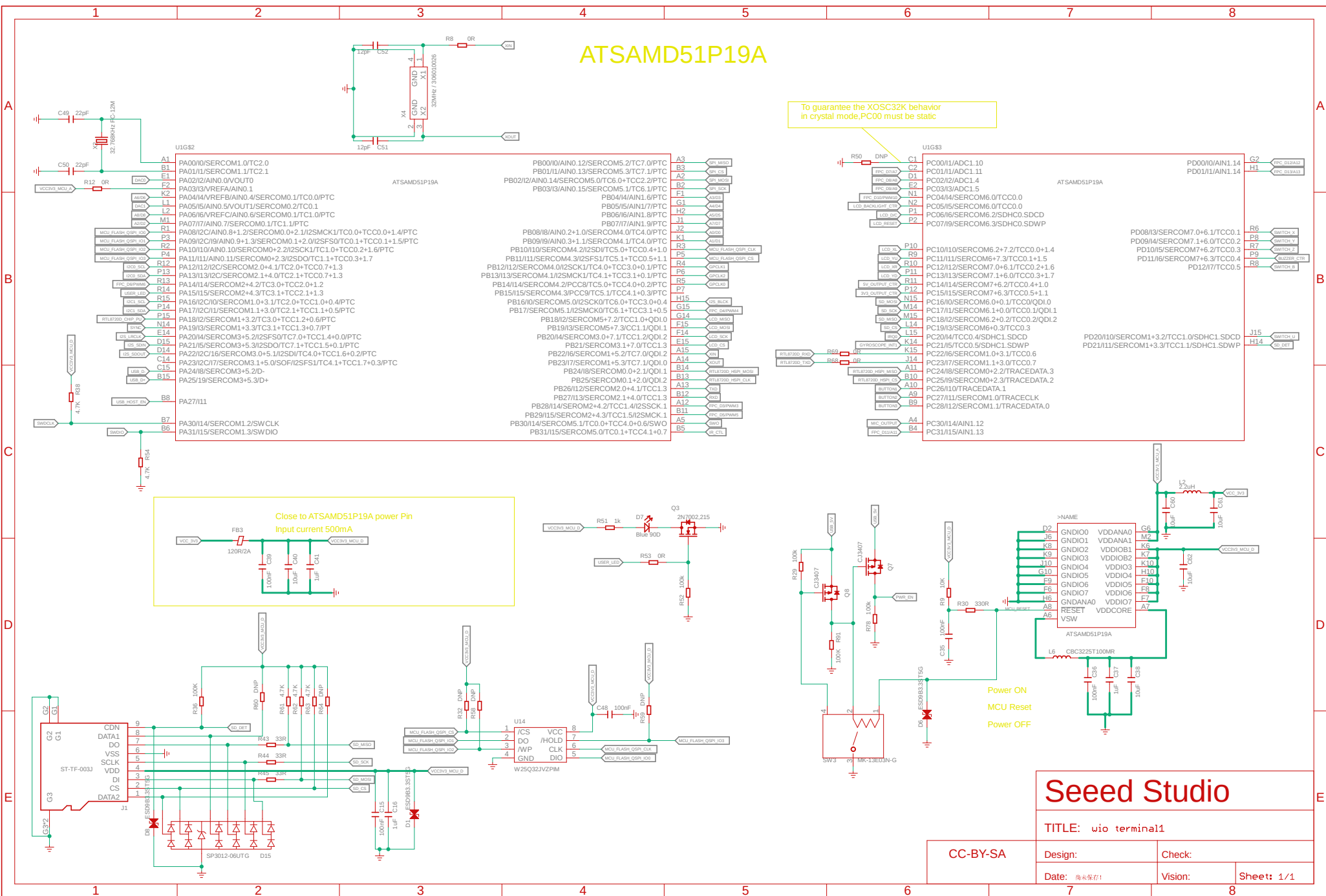
Seed Studio

TITLE: wio_terminal1

CC-BY-SA	Design:	Check:
	Date: 尚未保存!	Vision:

ATSAMD51P19A

To guarantee the XOSC32K behavior in crystal mode, PC00 must be static



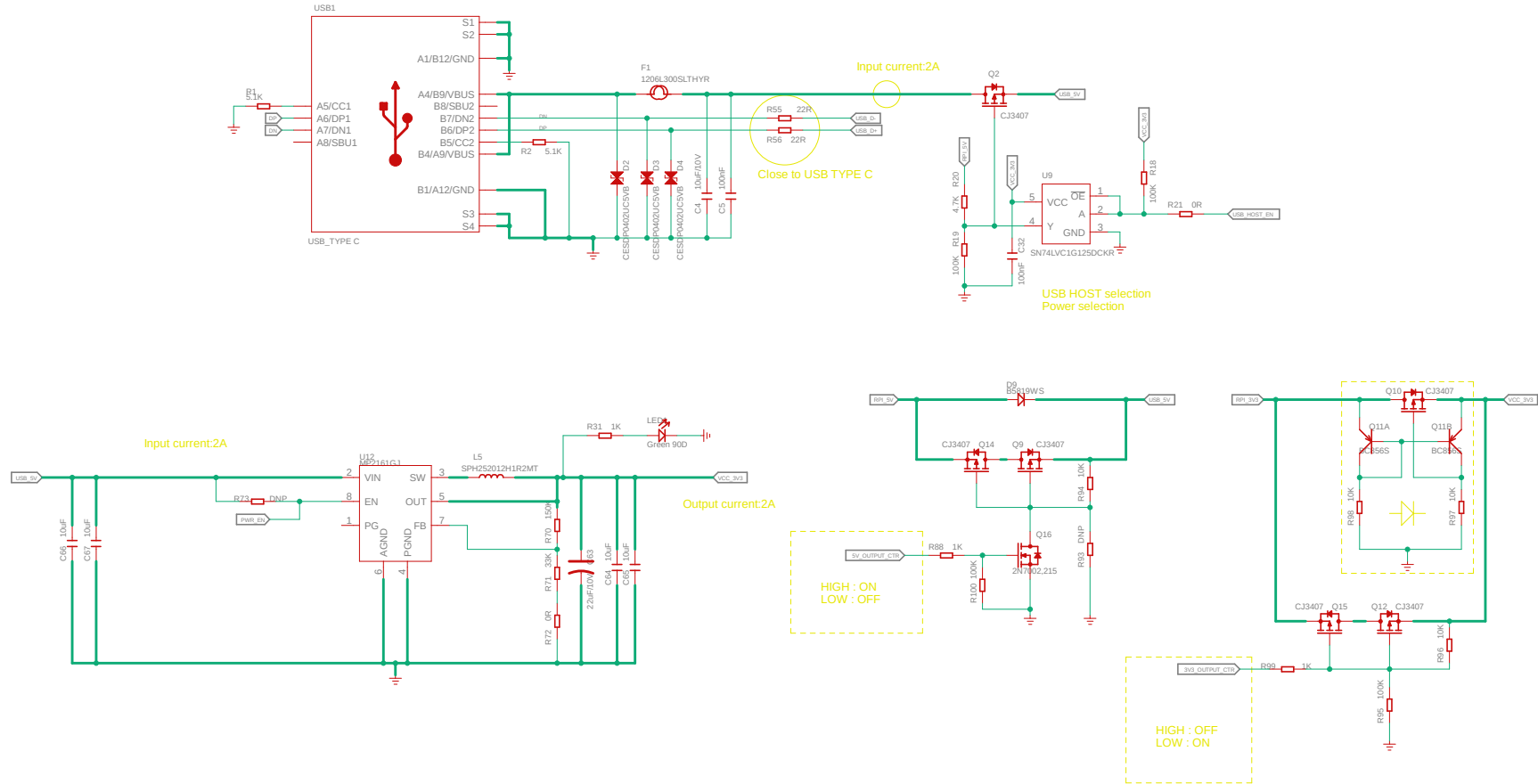
Seed Studio

TITLE: wio terminal1

CC-BY-SA

Design:	Check:
Date: 禹米紫打:	Vision:
Sheet: 1/1	

Power

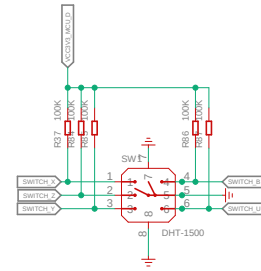
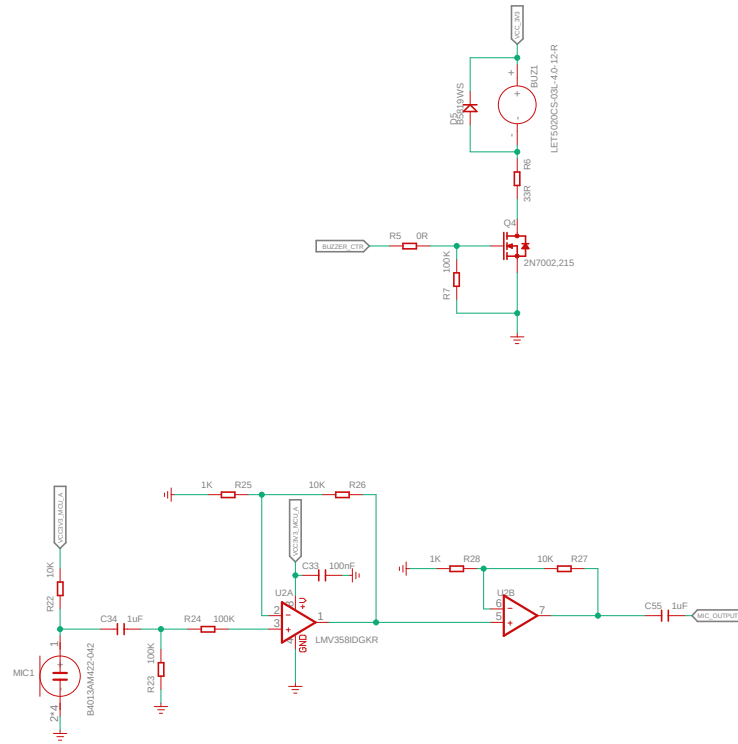


Seed Studio

TITLE: wio terminal1

CC-BY-SA	Design:	Check:
	Date: 尚未保存!	Vision:

Buzzer & MIC



Seed Studio

TITLE: wio terminal1

CC-BY-SA

Design:

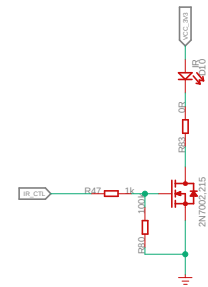
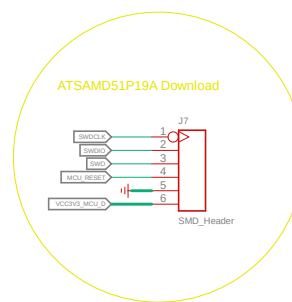
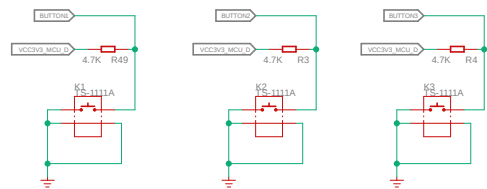
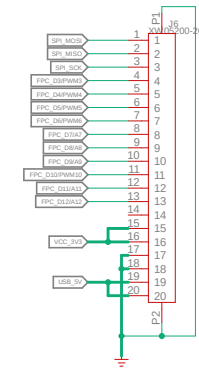
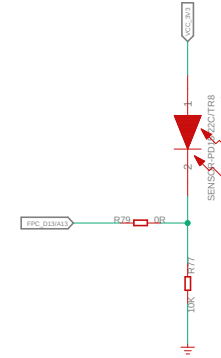
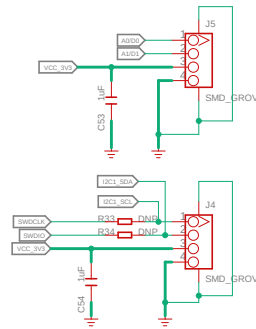
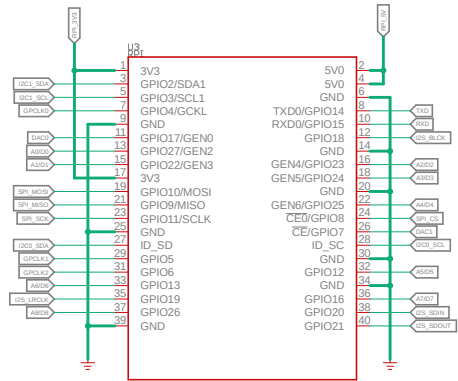
Check:

Date: 尚未保存!

Vision:

Sheet: 1/1

Header Interface and Button



Seed Studio

TITLE: wio terminal1

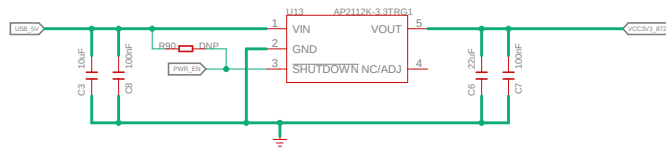
CC-BY-SA

Design:	Check:
Date: 尚未保存!	Vision:

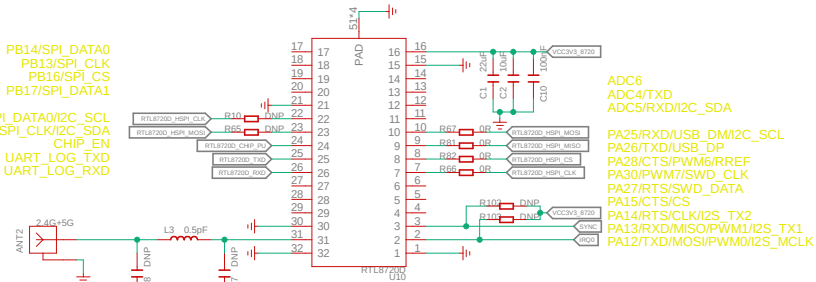
Sheet: 1/1

WIFI+BLE

Input current 600mA

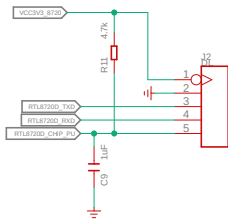


PB14/SPI_DATA0
PB13/SPI_CLK
PB16/SPI_CS
PB17/SPI_DATA1
PB20/TXD/PWM12/I2S_CLK/SPI_DATA0/I2C_SCL
PB21/RXD/PWM13/I2S_WS/SPI_CLK/I2C_SDA
CHIP_EN
UART_LOG_TXD
UART_LOG_RXD



ADC6
ADC4/TXD
ADC5/RXD/I2C_SDA
PA25/RXD/USB_DM/I2C_SCL
PA26/TXD/USB_DP
PA28/CTS/PWM6/RREF
PA30/PWM7/SWD_CLK
PA27/RTS/SWD_DATA
PA15/CTS/CS
PA14/RTS/CLK/I2S_TX2
PA13/RXD/MISO/PWM1/I2S_TX1
PA12/TXD/MOSI/PWM0/I2S_MCLK

8720 module Download



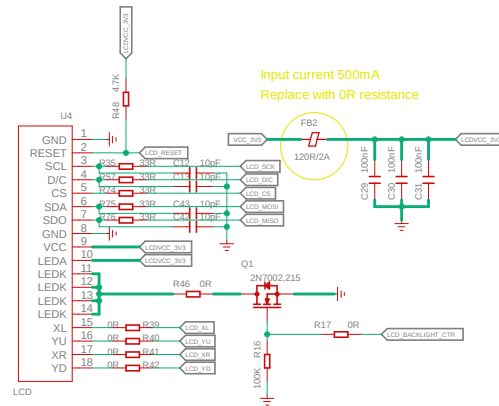
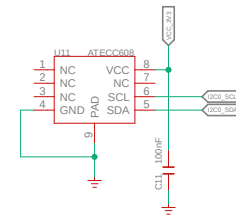
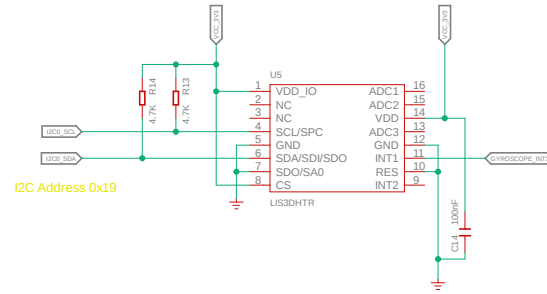
Seed Studio

TITLE: wio terminal1

CC-BY-SA

Design:	Check:
Date: 尚未保存!	Vision:
Sheet: 1/1	

Gyroscope & LCD



Seed Studio

TITLE: wio terminal1

CC-BY-SA

Design: _____ Check: _____

Date: 尚未保存!

Vision: _____

Sheet: 1/1