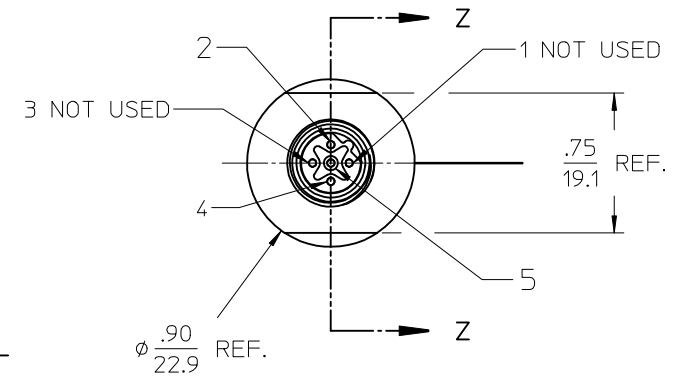
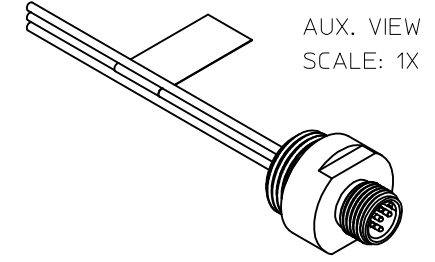
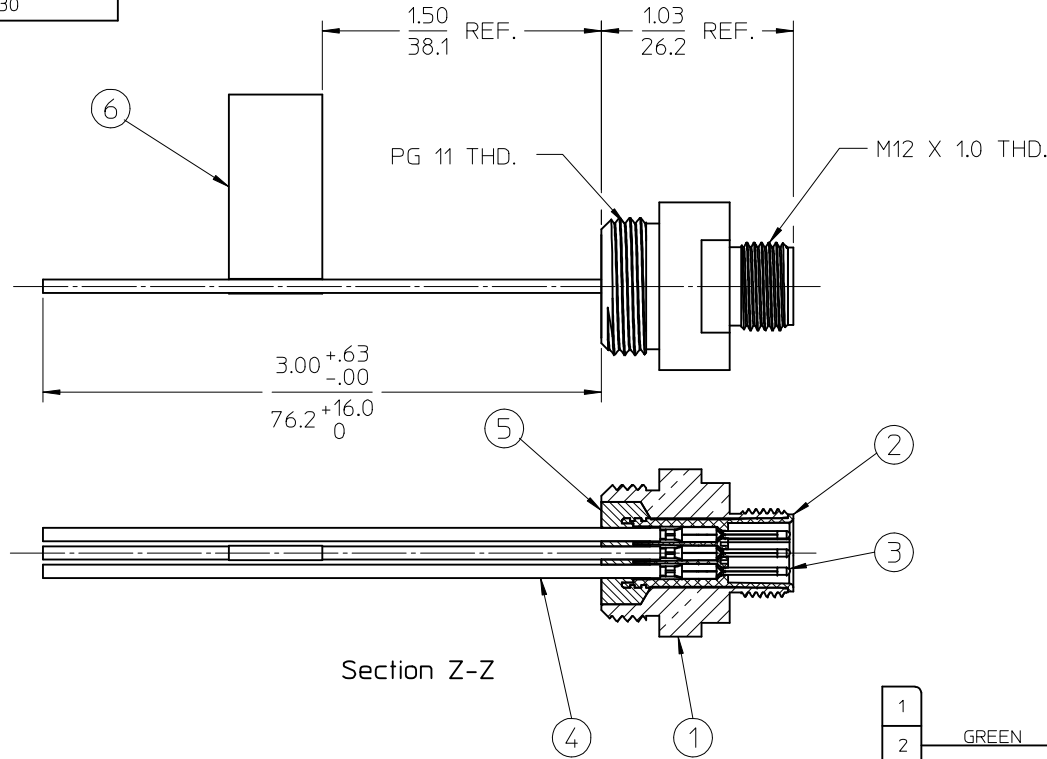
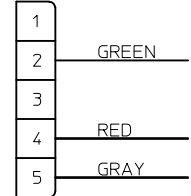


10	9
MATERIAL NO.	ENGINEERING NO.
1200990025	81688-030



Section Z-Z



WIRING DIAGRAM

- NOTES:
1. MATERIAL: SEE TABLE
  2. FINISHES: SEE TABLE
  3. MATES WITH: MIC, PROFIBUS FEMALE CABLE
  4. ELECTRICAL SPECIFICATIONS:  
VOLTAGE RATING: 250V AC/DC  
CURRENT RATING: 4.0 AMPS
  5. ASSEMBLY IS RoHS COMPLIANT

6	1	LABEL	PLASTIC FILM	BLACK/YELLOW
5	1	POTTING	EPOXY	
4	3	WIRE, 22 AWG	PVC INSULATED	SEE WIRE DIAGRAM
3	5	CONTACT PIN	Cu ALLOY	GOLD PLATED
2	1	INSERT, 5 POLE	NYLON	BLACK
1	1	RECEPTACLE SHELL	BRASS	NICKEL PLATED
ITEM	QTY.	DESCRIPTION	MATERIAL	FINISH

RELEASED EC NO: WNA2010-0145 DR: R. STONE 2009/08/28 CHK: B. WOODMAN 2009/08/28 APPR: J. MURPHY 2009/08/31 A	QUALITY SYMBOLS ▽=0 ▽=0	GENERAL TOLERANCES (UNLESS SPECIFIED)		DIMENSION STYLE IN/MM		SCALE 1.5:1	DESIGN UNITS INCH	THIRD ANGLE PROJECTION			
		4 PLACES ± --- ± --- 3 PLACES ± --- ± --- 2 PLACES ± --- ± .01 1 PLACE ± 0.3 ± ---	mm INCH	DRAWN BY R. STONE	DATE 2009/08/28	TITLE MICRO-CHANGE RECEPTACLE MALE, 5 POLE, 3 WIRE PROFIBUS					
		ANGULAR ± 1/2°		CHECKED BY B. WOODMAN	DATE 2009/08/31	MOLEX INCORPORATED					
		DRAFT WHERE APPLICABLE MUST REMAIN WITHIN DIMENSIONS		APPROVED BY J. MURPHY	DATE 2009/08/28	MATERIAL NO. SEE CHART		DOCUMENT NO. SD-120099-005	SHEET NO. 1 OF 1		