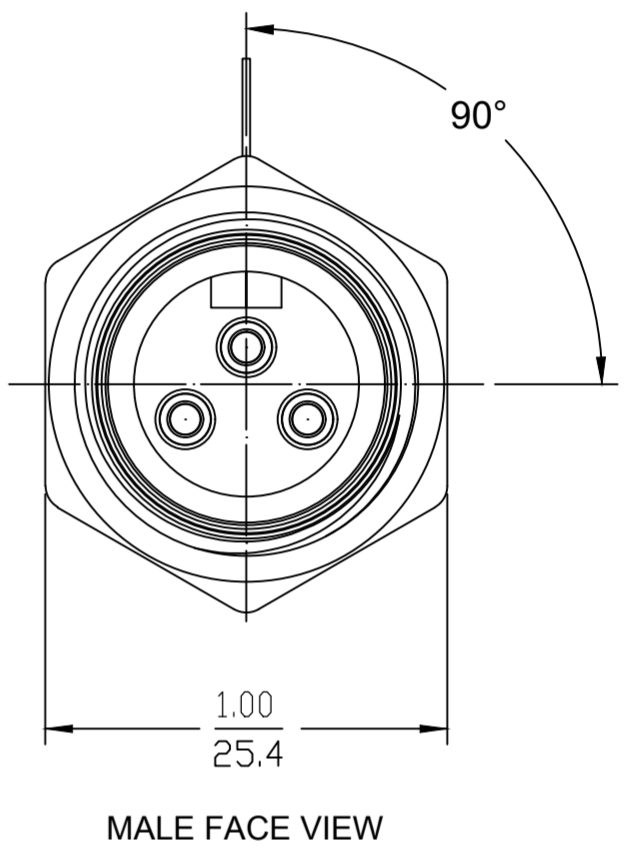
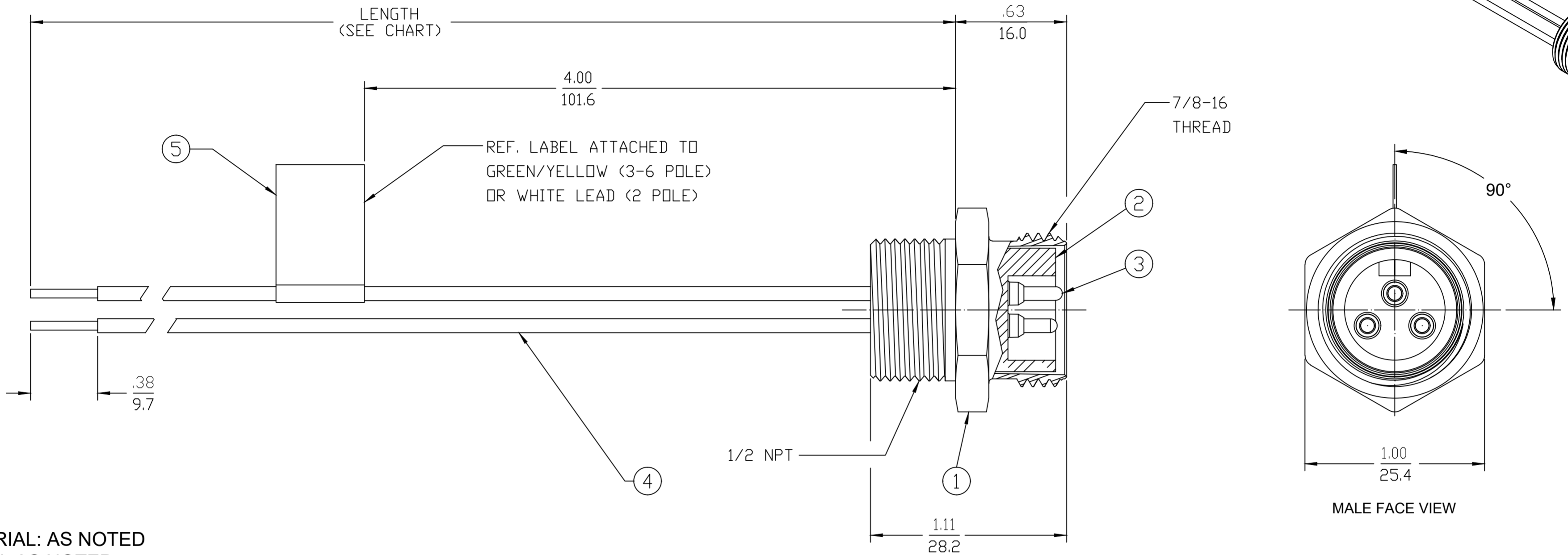
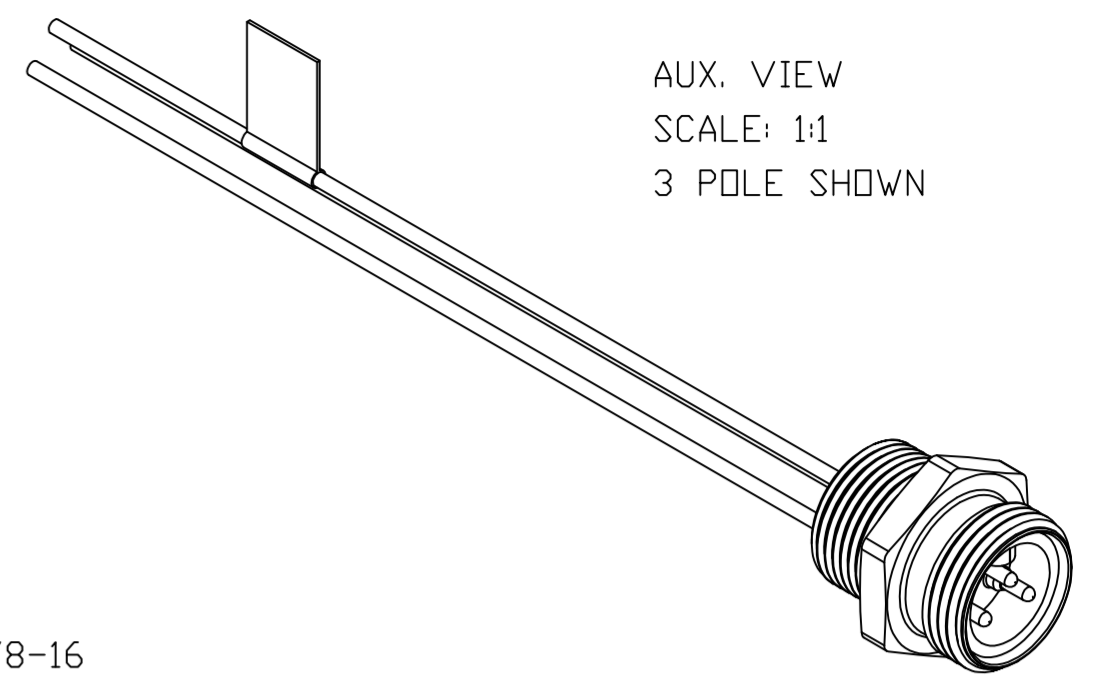
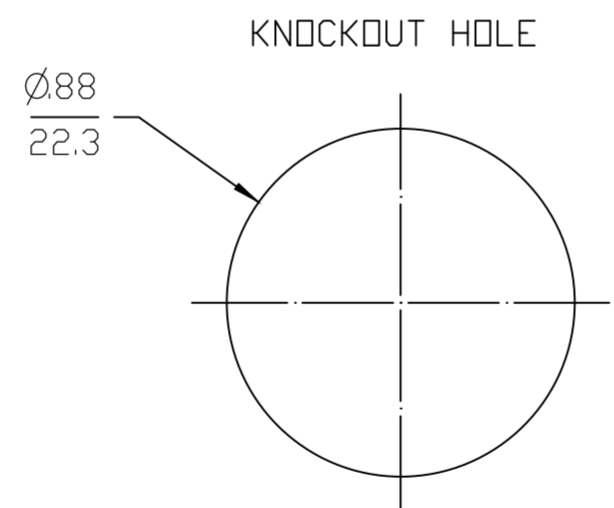


MATERIAL NO.	ENGINEERING NO.	LENGTH	POLES	ELECTRICAL SPECS
1300130203	1R3006A20A1201	12.00 IN +.75-0 (304.8mm +19.1mm-0)	3	600 VOLTS, 13 AMPS
1300130216	1R3006A20F0601	6 FT,0 IN +2.19-0 (1.83M +55.6-0)	3	600 VOLTS, 13 AMPS
1300130354	1R4006A20A1201	12.00 IN +.75-0 (304.8mm +19.1mm-0)	4	600 VOLTS, 10 AMPS

REF. THIS DOC SUPERSEDES SD-130013-040 REV-A (A)



- (A)
- NOTES:**
- MATERIAL: AS NOTED
 - FINISH: AS NOTED
 - ELECTRICAL:
VOLTAGE: PER IEC60664
2P & 3P 500V
4P 483V
5P & 6P 400V
600V PER UL2238
CURRENT: SEE MATERIAL NO. TABLE
 - TEMP RATING: -20°TO +90°C
 - PROTECTION: IP67 (WHEN MATED)
 - COUPLING THREAD: AS NOTED
 - UL LISTED FILE: E258922
CSA CERTIFIED: LR6837
 - ALL DIMS ARE FOR REFERENCE UNLESS TOLERANCED OR NOTED OTHERWISE



FACE VIEW-MALE INSERT				
1 WHITE 2 BLACK	1 GREEN/YELLOW 2 BLACK 3 WHITE	1 BLACK 2 WHITE 3 RED 4 GREEN/YELLOW	1 WHITE 2 RED 3 GREEN/YELLOW 4 ORANGE 5 BLACK	1 WHITE 2 RED 3 GREEN/YELLOW 4 ORANGE 5 BLACK 6 BLUE

ITEM	DESCRIPTION	MATERIAL	FINISH
5	LABEL	VINYL	BLACK/YELLOW
4	WIRE, 16 AWG, UL1015	PVC INSULATION	SEE WIRE DIAGRAM
3	CONTACT PIN	Cu ALLOY	GOLD PLATED
2	INSERT	TPE (A)	YELLOW
1	RECEPTACLE SHELL	ST. STEEL	PASSIVATED

THIS DRAWING CONTAINS INFORMATION THAT IS PROPRIETARY TO MOLEX ELECTRONIC TECHNOLOGIES, LLC AND SHOULD NOT BE USED WITHOUT WRITTEN PERMISSION

SYMBOLS

	= 0
	= 0
	= 0
	= 0
	= 0
	= 0
	= 0
	= 0
	= 0

GENERAL TOLERANCES (UNLESS SPECIFIED)

PLACES	mm	INCH
4 PLACES	±----	±----
3 PLACES	±----	±----
2 PLACES	±----	±----
1 PLACE	±----	±----
0 PLACES	±----	±----

ANGULAR TOL ± ---- °

DRAFT WHERE APPLICABLE MUST REMAIN WITHIN DIMENSIONS

THIRD ANGLE PROJECTION

CURRENT REV DESC: 1300130354 WAS 12 FT, UPDATED NOTES FOR IEC SPECS TPE WAS PVC, SUPERSEDES SD-130013-040 REV-A

EC NO: 625082
DRWN: RSTONE 2019/10/03
CHK'D: ALEON01 2019/10/03
APPR: BWOODMAN 2019/10/11

INITIAL REVISION:
DRWN: RSTONE 2019/10/02
APPR: BWOODMAN 2019/10/11

molex

MINI-CHANGE RECEPT. MALE, 16AWG, SS

PRODUCT CUSTOMER DRAWING

DOCUMENT NUMBER: 1300130203
DOC TYPE: PSD
DOC PART: 000
REVISION: A

MATERIAL NUMBER: SEE MAR. NO. TABLE
CUSTOMER: ----
SHEET NUMBER: 1 OF 1