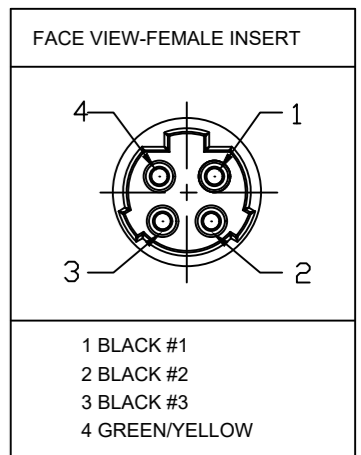
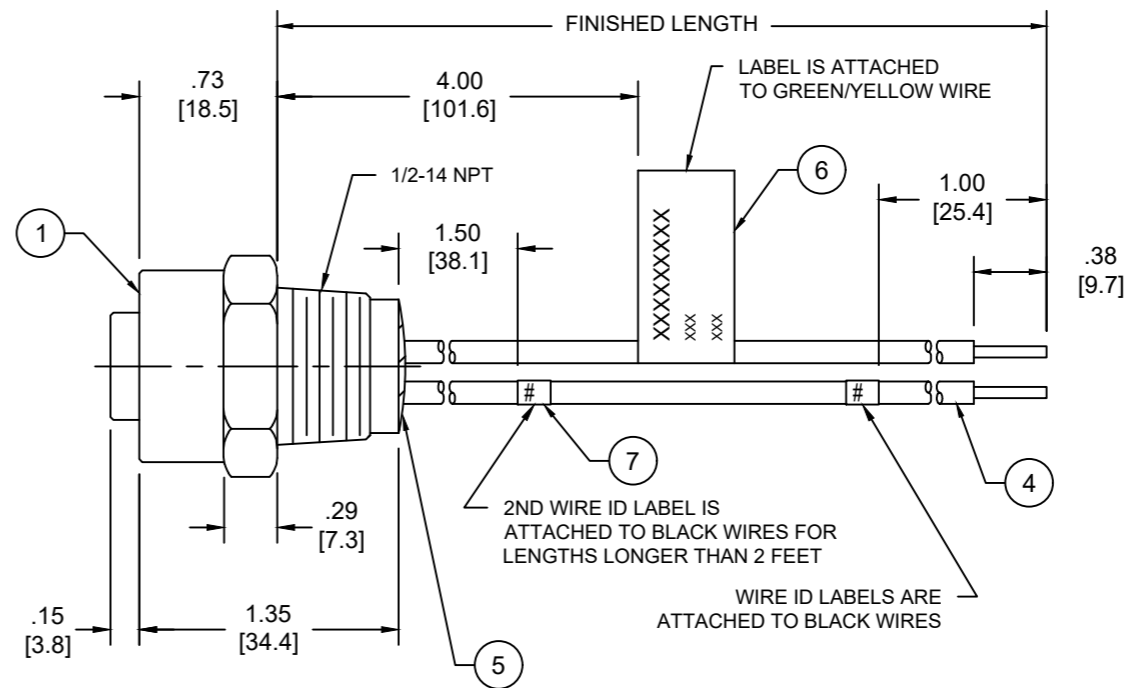
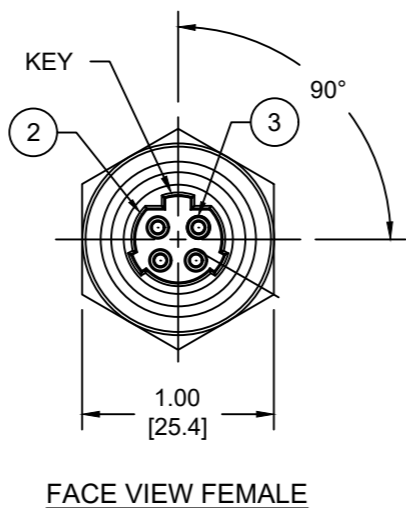


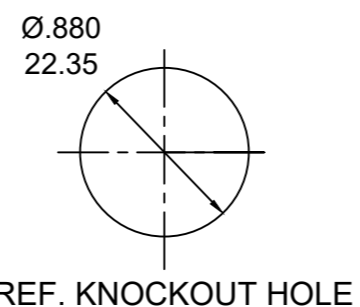
PART NO	ENGINEERING NO.	FINISHED LENGTH
1300660306	1R4100A82M005G	0.5M [1 FT 8 IN]
1300660308	1R4100A82M010G	1M [3 FT 3 IN]
1300660309	1R4100A82M020G	2M [6 FT 7 IN]
1300660310	1R4100A82M030G	3M [9 FT 10 IN]



- 1 BLACK #1
- 2 BLACK #2
- 3 BLACK #3
- 4 GREEN/YELLOW



- NOTES:
- MATERIAL: AS NOTED
 - FINISH: AS NOTED
 - ELECTRICAL:
VOLTAGE: 483V PER IEC60664 (D)
600V PER UL2237
CURRENT: 15A
 - TEMP RATING: -20°TO +90°C
 - PROTECTION: IP67 (WHEN MATED)
 - COUPLING THREAD: 7/8-16UN
 - UL LISTED FILE: E258922 (D)
 - ALL DIMENSIONS ARE FOR REFERENCE UNLESS TOLERANCED OR NOTED OTHERWISE



PART NUMBER LEGEND
1R4100A82M005G
 FINISHED LENGTH:
 M005= 0.5 METER
 M010= 1 METER
 M100= 10 METER

(D) CABLE LENGTH TOLERANCES

<.3M [1FT]:	+19mm-0 [+1.75in-0]
.3 - .9M [1 - 3FT]:	+44.5mm-0 [+1.75in-0]
.9 - 1.8M [3 - 6FT]:	+55.6mm-0 [+2.19in-0]
1.8 - 3.7M [6 - 12FT]:	+88.9mm-0 [+3.50in-0]
3.7 - 7.3M [12 - 24FT]:	+165.1mm-0 [+6.50in-0]
7.3-14.6M [24 - 48FT]:	+317.5mm-0 [+12.50in-0]
14.6 - 30.5M [48-100FT]:	+622.3mm-0 [+24.50in-0]
OVER 30M [100FT]	+2% OF FINISHED LENGTH

ITEM	DESCRIPTION	MATERIAL	FINISH
7	WIRE ID LABEL	VINYL /POLYESTER	BLACK/WHITE (D)
6	FLAG LABEL	VINYL	BLACK/YELLOW
5	POTTING MATERIAL	EPOXY	
4	WIRE, 14 AWG (UL 1015)	PVC INSULATION	SEE FACE VIEW
3	CONTACT SOCKET	COPPER ALLOY	GOLD OVER NICKEL
2	FEMALE INSERT	TPE	BLACK (D)
1	RECEPTACLE SHELL	ZINC DIE-CAST	NICKEL PLATED

FUNCTIONAL SYMBOLS	DIMENSION UNITS	SCALE	CURRENT REV DESC: ITEM #2 WAS PVC. ADDED ITEM #7, UL NUMBER & TOL CHART. MODIFIED IEC VOLTAGE & PN TABLE.
$F=0$	INCH/MM	NTS	
$F/C=0$	GENERAL TOLERANCES (UNLESS SPECIFIED)		
$F/P=0$	mm	INCH	
DIVISIONAL SYMBOLS	4 PLACES	±----	±----
	3 PLACES	±----	±----
	2 PLACES	±----	±----
	1 PLACE	±----	±----
	0 PLACES	±----	±----
	ANGULAR TOL	± ---- °	
	DRAFT WHERE APPLICABLE MUST REMAIN WITHIN DIMENSIONS	THIRD ANGLE PROJECTION	DRAWING SERIES MATERIAL NUMBER CUSTOMER SHEET NUMBER
		B-SIZE 130066	SEE CHART GENERAL MARKET 1 OF 1

molex

BRAD POWER RECEPTACLE, A-SIZE
 4 POLE, FEMALE, TRI-KEY, #14 AWG

PRODUCT CUSTOMER DRAWING