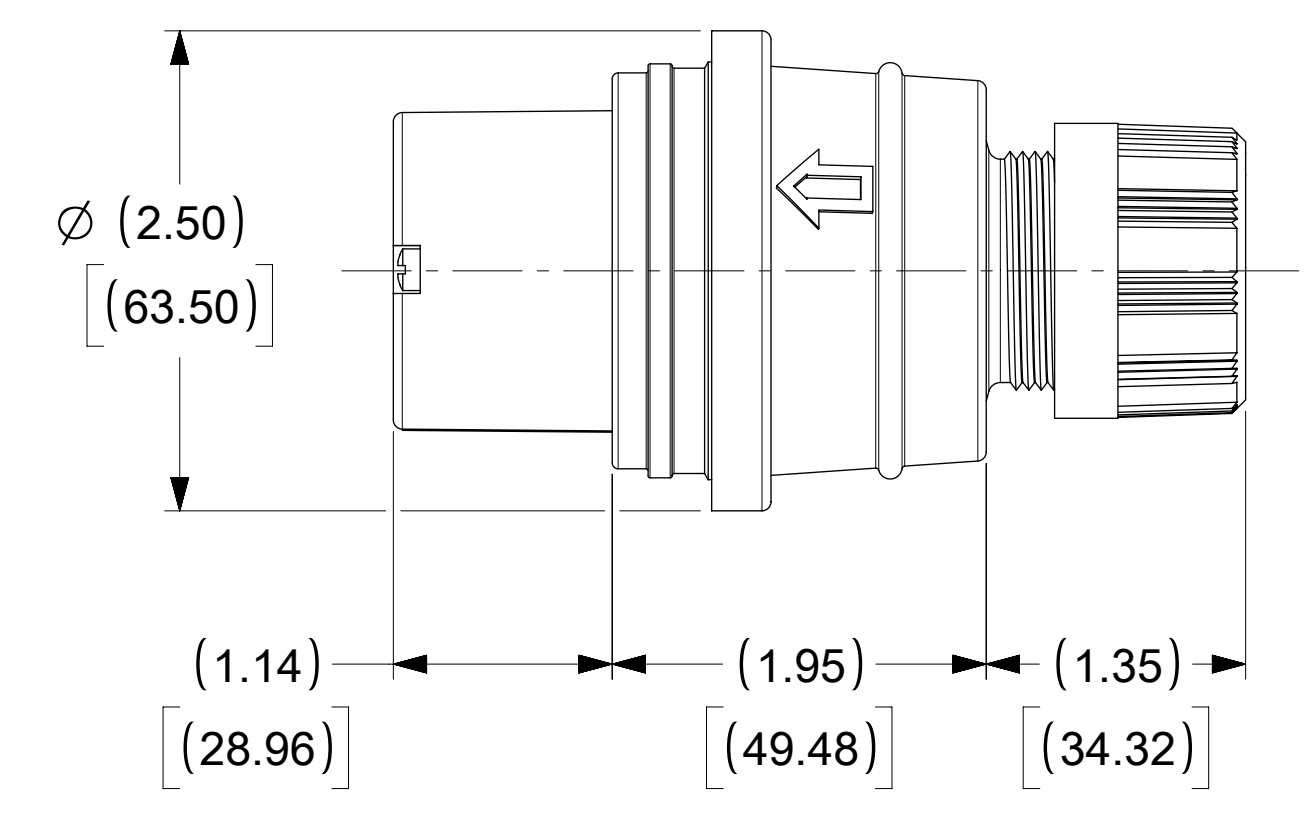
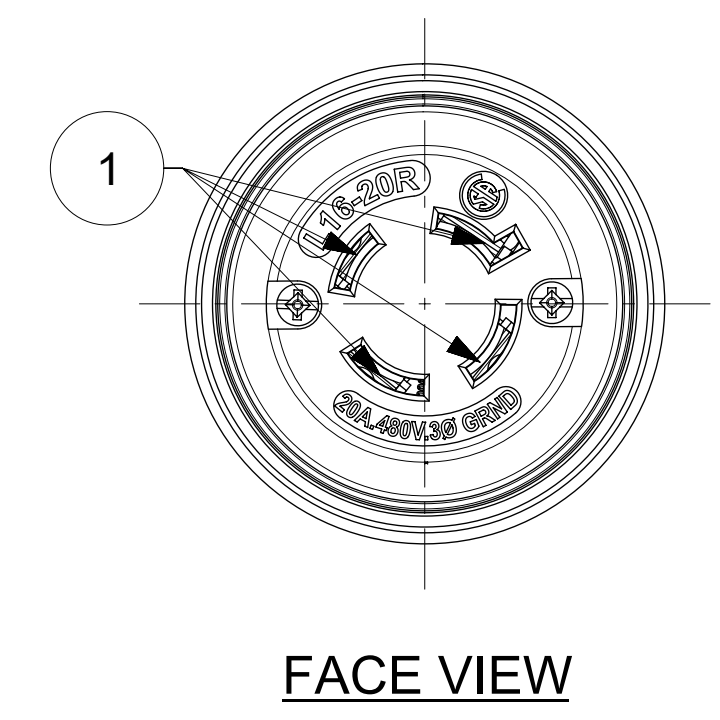
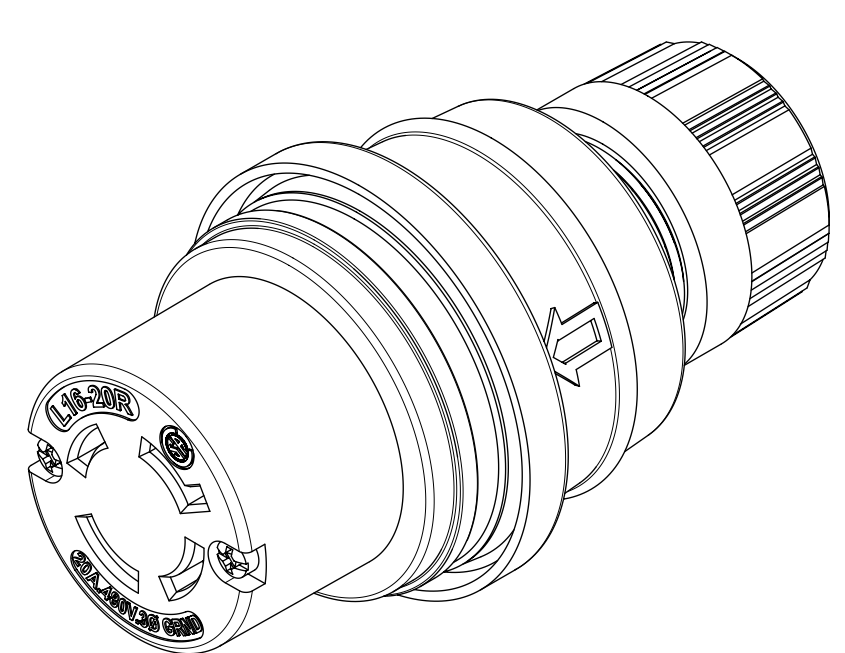
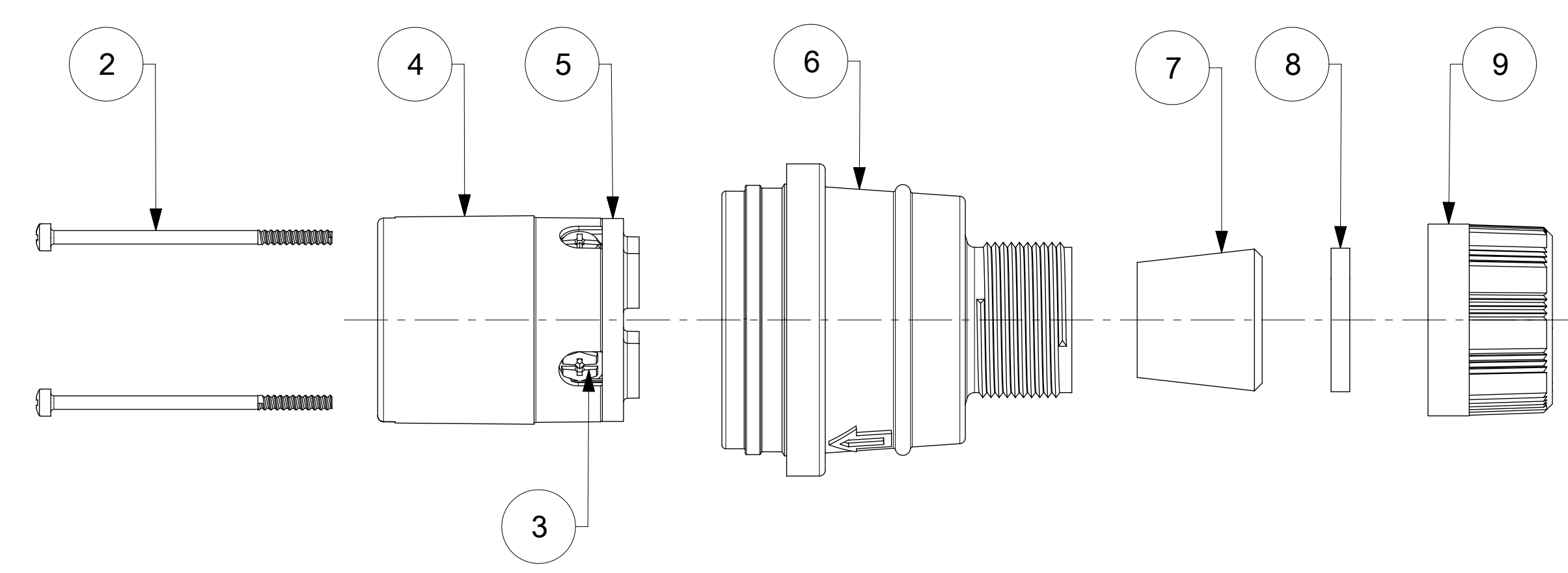


ORDER NO.	WOODHEAD NO.	COLOR
130147-0264	27W76MB-P	YELLOW



ITEM NO.	DESCRIPTIONS	MATERIAL	QTY.
1	BLADE	BRASS, NICKEL PLATED	4
2	RETAINING SCREWS	STAINLESS STEEL	2
3	CLAMP AND TERMINAL SCREW ASSY	BRASS, ZINC PLATED	4
4	INSERT	NYLON	1
5	TERMINAL COVER	POLYCARBONATE	1
6	HOUSING	SILICON WITH NYLON THREAD	1
7	GROMMET	RUBBER	1
8	FRICTION RING	NYLON	1
9	COMPRESSION NUT	NYLON	1

SYMBOLS THIS DRAWING CONTAINS INFORMATION THAT IS PROPRIETARY TO MOLEX ELECTRONIC TECHNOLOGIES, LLC AND SHOULD NOT BE USED WITHOUT WRITTEN PERMISSION DIMENSION UNITS: INCH[MM] SCALE: NTS GENERAL TOLERANCES (UNLESS SPECIFIED): 4 PLACES: ± 0.005 [0.127] MM / ± 0.0005 [0.0127] INCH 3 PLACES: ± 0.0025 [0.0635] MM / ± 0.00025 [0.00635] INCH 2 PLACES: ± 0.00125 [0.03175] MM / ± 0.000125 [0.003175] INCH 1 PLACE: ± 0.000625 [0.015875] MM / ± 0.0000625 [0.0015875] INCH 0 PLACES: ± 0.0003125 [0.0079375] MM / ± 0.00003125 [0.00079375] INCH ANGULAR TOL: ± 0.05° DRAFT WHERE APPLICABLE MUST REMAIN WITHIN DIMENSIONS THIRD ANGLE PROJECTION		CURRENT REV DESC: RELEASED EC NO: 614282 DRWN: DSOPPIN 2018/12/18 CHK'D: DNGUYEN62 2019/04/16 APPR: HKNEELAND 2019/04/16 INITIAL REVISION: DRWN: DSOPPIN 2018/12/18 APPR: HKNEELAND 2019/04/16 DRAFTING SERIES: C-SIZE 130147	 WATERTITE CONNECTOR MOTOR BASE 3P4W L16-20 PRODUCT CUSTOMER DRAWING DOCUMENT NUMBER: 1301470264 DOC TYPE: PSD DOC PART: 000 REVISION: A MATERIAL NUMBER: SEE TABLE CUSTOMER: GENERAL MARKET SHEET NUMBER: 1 OF 1
---	--	---	---