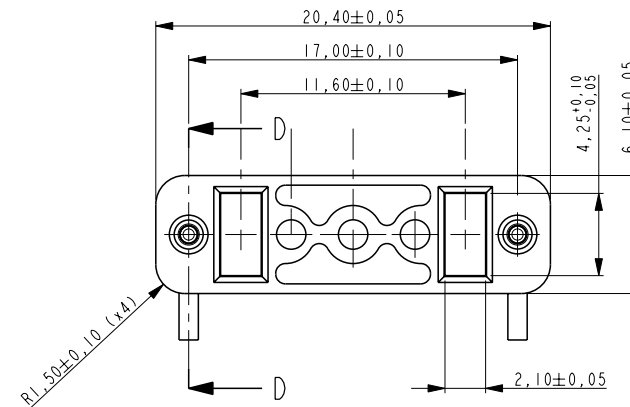
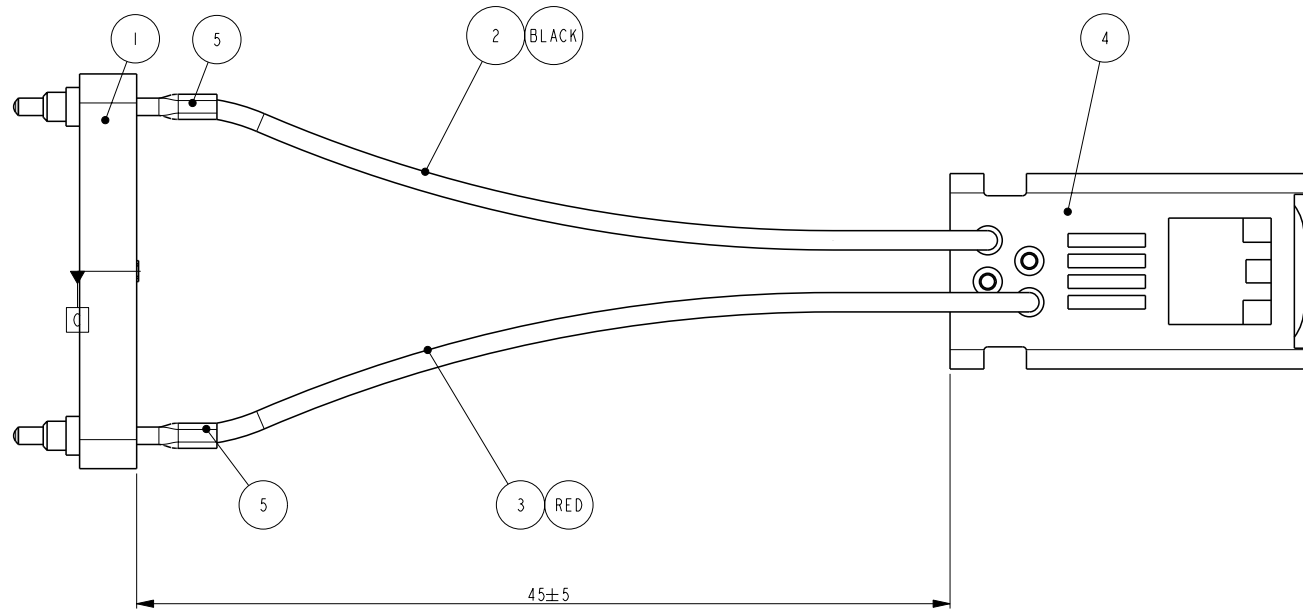


THIS DRAWING IS UNPUBLISHED. RELEASED FOR PUBLICATION
 © COPYRIGHT - BY TYCO ELECTRONICS CORPORATION. ALL RIGHTS RESERVED.

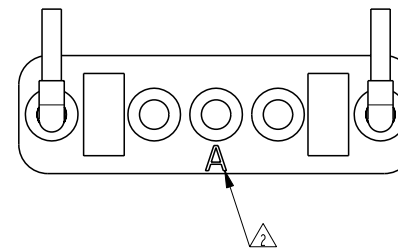
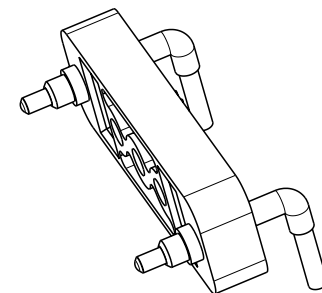
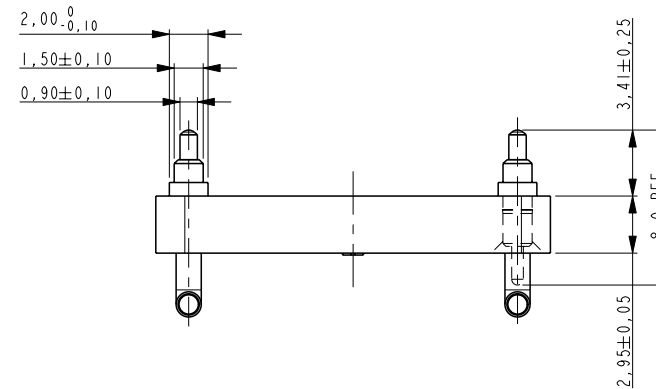
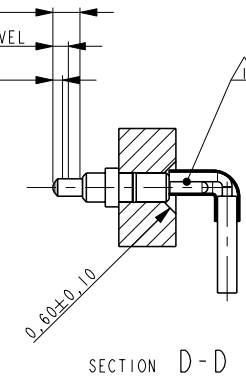
LOC	DIST	REVISIONS			
P	LYR	DESCRIPTION	DATE	DWN	APVD
	A	ECR-07-018344	06AUG2007	JV	RL
	A I	ECR-08-031386	10DEC2008	JV	RL
	B	ECR-10-006703	26MAR2010	DC	RL

3,5±0,50 REF

Tin Plated
Pogo pin side



1,40 FULL STROKE LEVEL
 0,80 NOMINAL WORKING LEVEL
 0,50 MIN. WORKING LEVEL



NOTES:
 △ - SOLDERED SURFACES
 △ - MOLD CAVITY IDENTIFICATION

ORDER NR 1857502-1

ITEM NO.	DESCRIPTION	MATERIAL	QUANTITY
5	HEAT SHRINKABLE TUBE	-	2
4	CABLE CONNECTOR	Plastron 616L	1
3	RED wire 26 AWG 7 strands	-	1
2	BLACK wire 26 AWG 7 strands	-	1
1	HANDSET CONNECTOR HOUSING	-	1

THIS DRAWING IS A CONTROLLED DOCUMENT FOR TYCO ELECTRONICS CORPORATION. IT IS SUBJECT TO CHANGE AND THE CONTROLLING ENGINEERING ORGANIZATION SHOULD BE CONTACTED FOR THE LATEST REVISION.

DIMENSIONS: mm	TOLERANCES UNLESS OTHERWISE SPECIFIED: 0 PLC ±. 1 PLC ±0,1 2 PLC ±. 3 PLC ±. 4 PLC ±. ANGLES ±. FINISH	DWN N. Jongens 19-Jan-06	CHK R. Trijpe 12-Jul-06	APVD R. Lokker	NAME Tyco Electronics	Tyco Electronics Nederland BV 's-Hertogenbosch, The Netherlands
MATERIAL		PRODUCT SPEC		SINGLE CHARGER HARNESS		
		APPLICATION SPEC		SIZE A2	CAGE CODE 00779	DRAWING NO. C-1857502
		WEIGHT		RESTRICTED TO		
		CUSTOMER DRAWING		SCALE 4:1	SHEET 1	OF 1
				REV B		