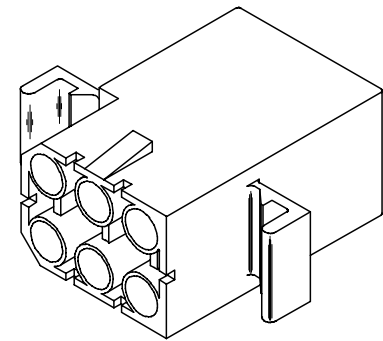
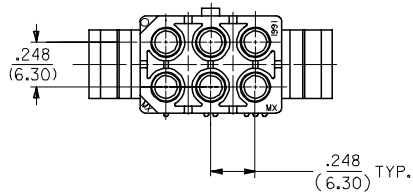
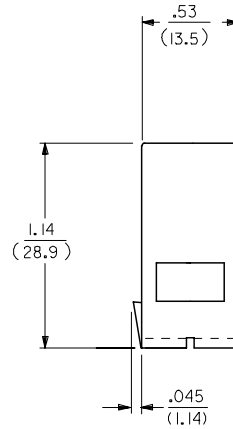
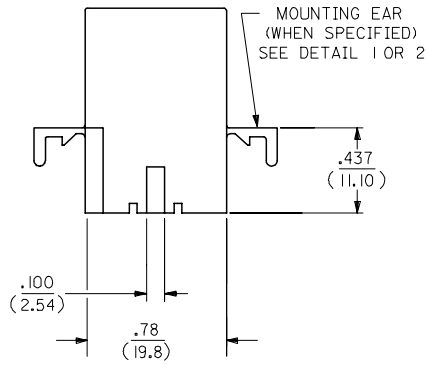
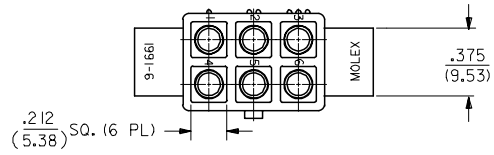


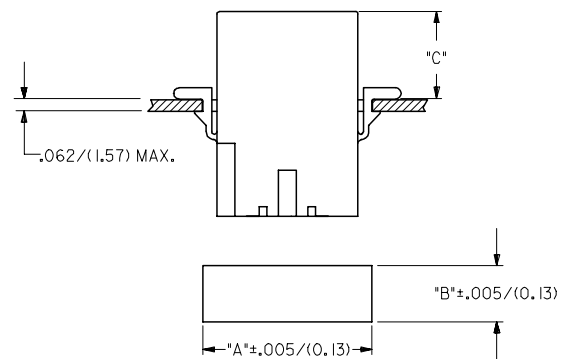
RECEPTACLE



RECEPTACLE HOUSING

|   |                               |  |                        |                          |                       |               |                      |                        |  |                    |                            |
|---|-------------------------------|--|------------------------|--------------------------|-----------------------|---------------|----------------------|------------------------|--|--------------------|----------------------------|
| UPDATE TITLE BLOCK<br>EC NO: UCP2007-1498<br>DRAWN: AELHAG 2007/04/04<br>CHKD: AELHAG 2007/04/04<br>APPR: FSM TH 2007/04/04<br>REV: | QUALITY SYMBOLS<br>▽=0<br>▽=0 | GENERAL TOLERANCES (UNLESS SPECIFIED)                      |                        | DIMENSION STYLE<br>IN/MM |                       | SCALE<br>2:1  | DESIGN UNITS<br>INCH | THIRD ANGLE PROJECTION |  |                    |                            |
|   |                               | 4 PLACES ± .010 ± .010                                     | 3 PLACES ± .010 ± .010 | 2 PLACES ± 0.25 ± .014   | 1 PLACE ± 0.36 ± .014 | ANGULAR ± 1 ° | DRAWN BY<br>JJS      | DATE<br>1988/02/25     | TITLE<br>.093/(2.36) HOUSINGS,<br>PLUG AND RECEPTACLE,<br>6 CKT, .248/(6.30) CTRS. |                    |                            |
|   |                               | DRAFT WHERE APPLICABLE<br>MUST REMAIN<br>WITHIN DIMENSIONS |                        |                          |                       |               | CHECKED BY<br>RW     | DATE<br>1988/02/25     | MATERIAL NO.<br>RAS  |                    |                            |
|   |                               | SIZE<br>C  |                        |                          |                       |               | SEE CHART            |                        | APPROVED BY<br>RAS   | DATE<br>1988/02/25 | DOCUMENT NO.<br>SD-1991-6* |

| PLUG       |            |                  | RECEPTACLE |            |                  |
|------------|------------|------------------|------------|------------|------------------|
| PART NO.   | ENG. NO.   | PKG. INFORMATION | PART NO.   | ENG. NO.   | PKG. INFORMATION |
| I9-09-2061 | I991-6P    | PK-1991-001      | I9-09-1061 | I991-6R    | PK-1991-001      |
| I9-09-2062 | I991-6P1   | PK-1991-001      | I9-09-1062 | I991-6R1   | PK-1991-002      |
| I9-09-7061 | I991-6PBK  | PK-1991-001      | I9-09-6061 | I991-6RBK  | PK-1991-001      |
| I9-09-7062 | I991-6P1BK | PK-1991-001      | I9-09-1068 | I991-6R1-B | PK-1991-001      |
|            |            |                  |            |            |                  |
|            |            |                  |            |            |                  |

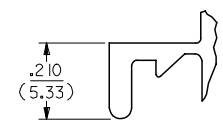


| HOUSING    | DIM. "A"      | DIM. "B"     | DIM."C" STD.EAR | DIM."C" PREBENT |
|------------|---------------|--------------|-----------------|-----------------|
| PLUG       | 1.048/(26.62) | .658/(16.71) | .51/(12.9)      | .52/(13.2)      |
| RECEPTACLE | .946/(24.03)  | .608/(15.44) | .53/(13.5)      | .54/(13.7)      |

- NOTES:
- MATERIAL CODES:  
A - NYLON TYPE 6/6, UL 94V-2  
B - NYLON TYPE 6/6, UL 94V-0
  - FINISH: N/A
  - PRODUCT SPECIFICATION: PS-02-09
  - PACKAGING SPECIFICATION: SEE CHART
  - HOUSINGS FOR USE WITH MOLEX STD. .093/(2.36) TYPE TERMINALS.
  - PARTS CONFORM TO CLASS B REQUIREMENTS OF COSMETIC SPECIFICATION PS-45499-002.

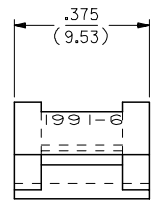
**LEGEND:**

- 1991-6\*\*\*\*-\*
- CIRCUIT SIZE
  - P = PLUG
  - R = RECEPTACLE
  - BLANK = WITH STANDARD EARS
  - 1 = WITHOUT EARS
  - 2 = WITH PREBENT EARS, PER DETAIL 2
  - COLOR: BLANK=NATURAL COLOR
  - AM=AMBER BK=BLACK BU=BLUE
  - BN=BROWN CY=GRAY GN=GREEN
  - OR=ORANGE RD=RED YW=YELLOW
  - BLANK = MATERIAL CODE A
  - B = MATERIAL CODE B



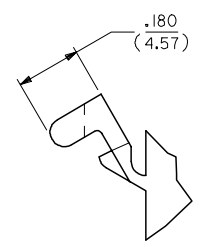
**DETAIL 1**

STANDARD MOUNTING EARS  
(SCALE 4:1)



**DETAIL 2**

PREBENT MOUNTING EAR  
(SCALE 4:1)



|  |                               |  |   |  |  |              |                            |                        |
|--|-------------------------------|--|---|--|--|--------------|----------------------------|------------------------|
| ADD NOTES 2,4&6<br>EC NO: UCP2007-1498<br>DRW:NAELHAG 2007/04/04<br>CHKD:AEHAG 2007/04/04<br>APPR:FSM TH 2007/04/04<br>REVISIONS | QUALITY SYMBOLS<br>▽=0<br>▽=0 | GENERAL TOLERANCES (UNLESS SPECIFIED)  |   | DIMENSION STYLE<br>IN/MM   |  | SCALE<br>2:1 | DESIGN UNITS<br>INCH       | THIRD ANGLE PROJECTION |
|  |                               | 4 PLACES ± --- ± ---<br>3 PLACES ± --- ± .010<br>2 PLACES ± 0.25 ± .014<br>1 PLACE ± 0.36 ± ---<br>ANGULAR ± 1 ° | DRAWN BY<br>JJS<br>DATE<br>1988/03/01<br>CHECKED BY<br>RW<br>DATE<br>1988/03/01<br>APPROVED BY<br>RAS<br>DATE<br>1988/03/01 | TITLE<br>.093/(2.36) HOUSINGS,<br>PLUG AND RECEPTACLE,<br>6 CKT, .248/(6.30) CTRS.   |  |              | MATERIAL NO.<br>SD-1991-6* | DOCUMENT NO.           |
| DRAFT WHERE APPLICABLE<br>MUST REMAIN<br>WITHIN DIMENSIONS   |                               | SEE CHART  |   | THIS DRAWING CONTAINS INFORMATION THAT IS PROPRIETARY TO MOLEX<br>INCORPORATED AND SHOULD NOT BE USED WITHOUT WRITTEN PERMISSION |  |              | MOLEX INCORPORATED         |                        |